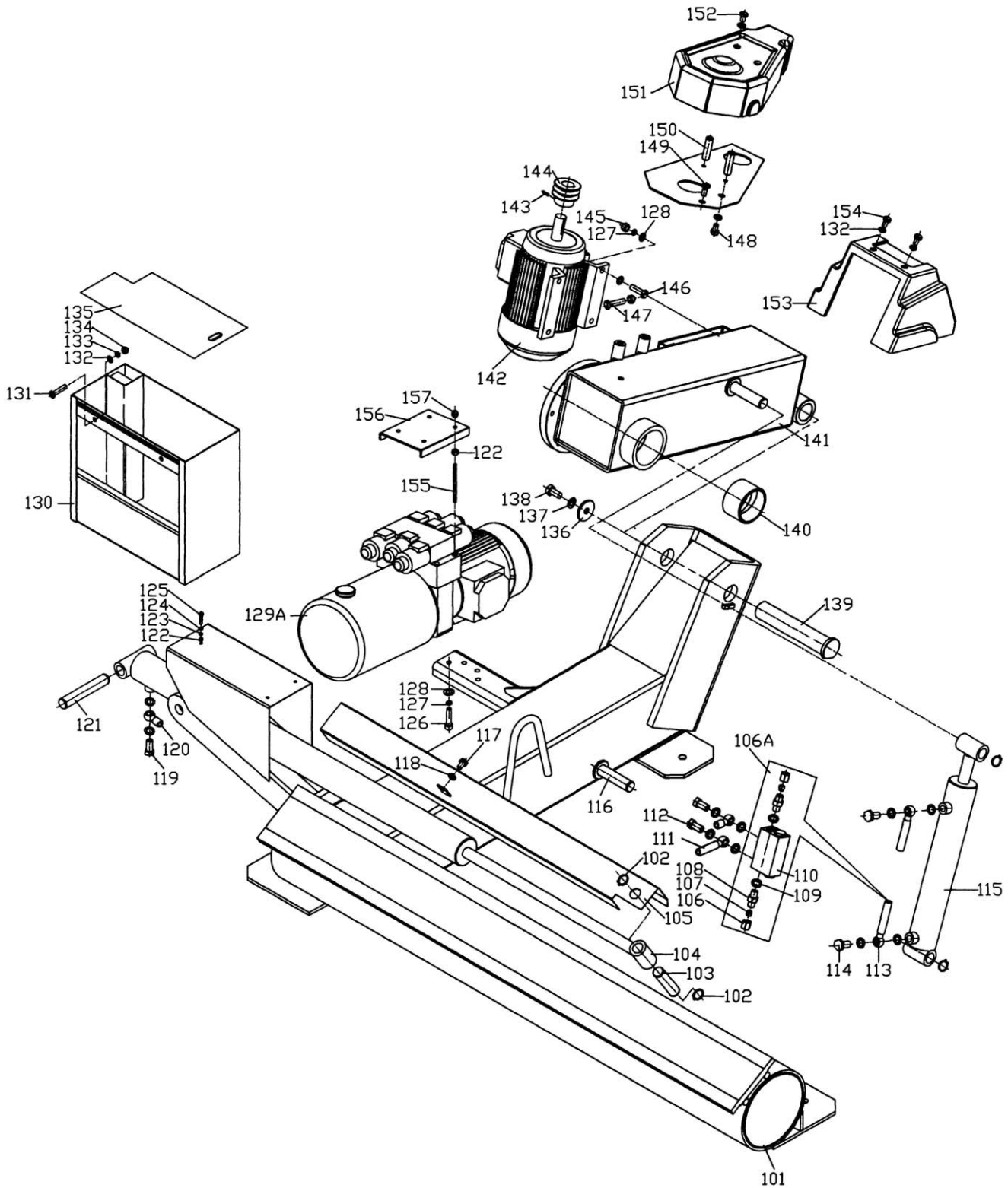
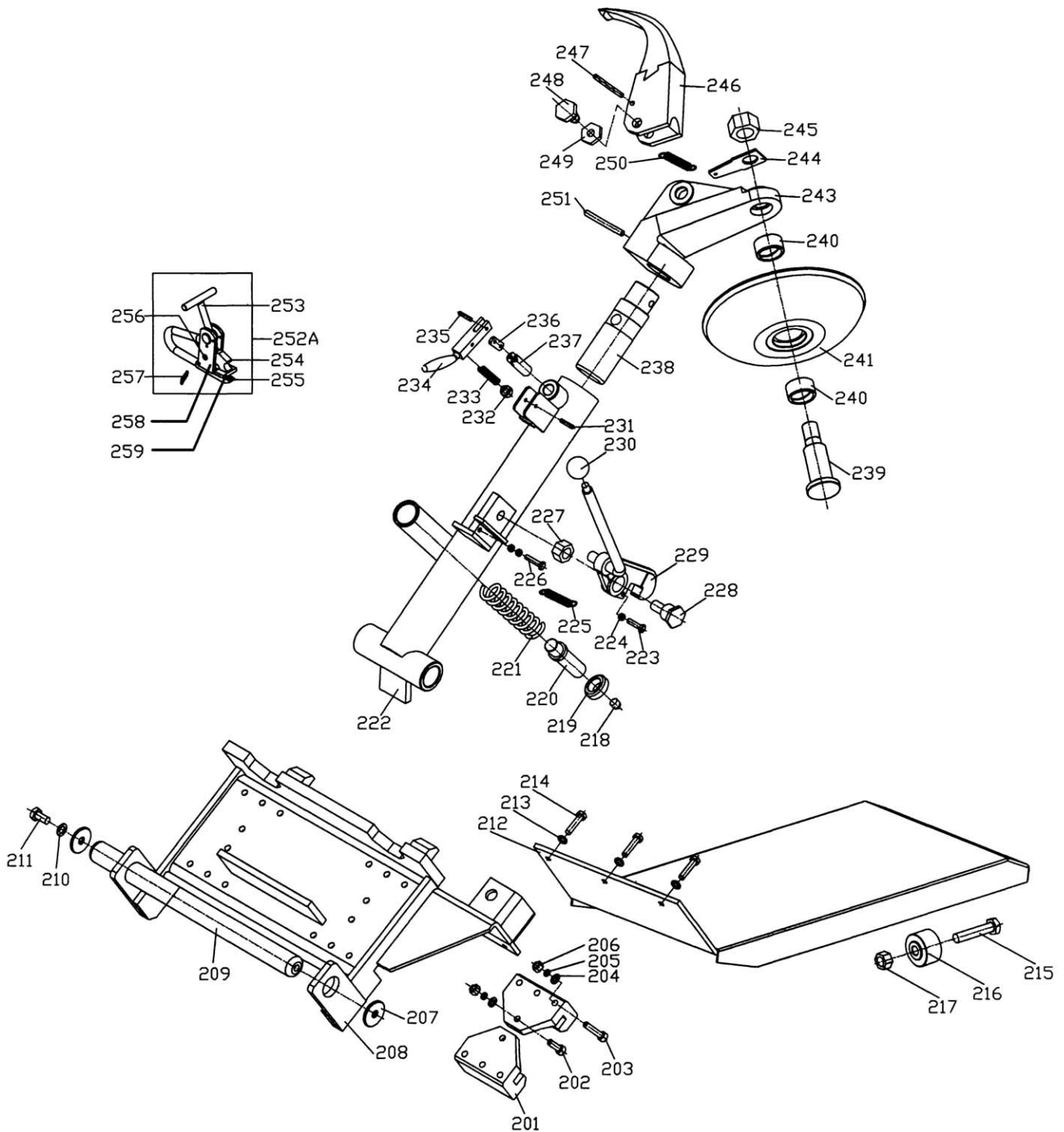
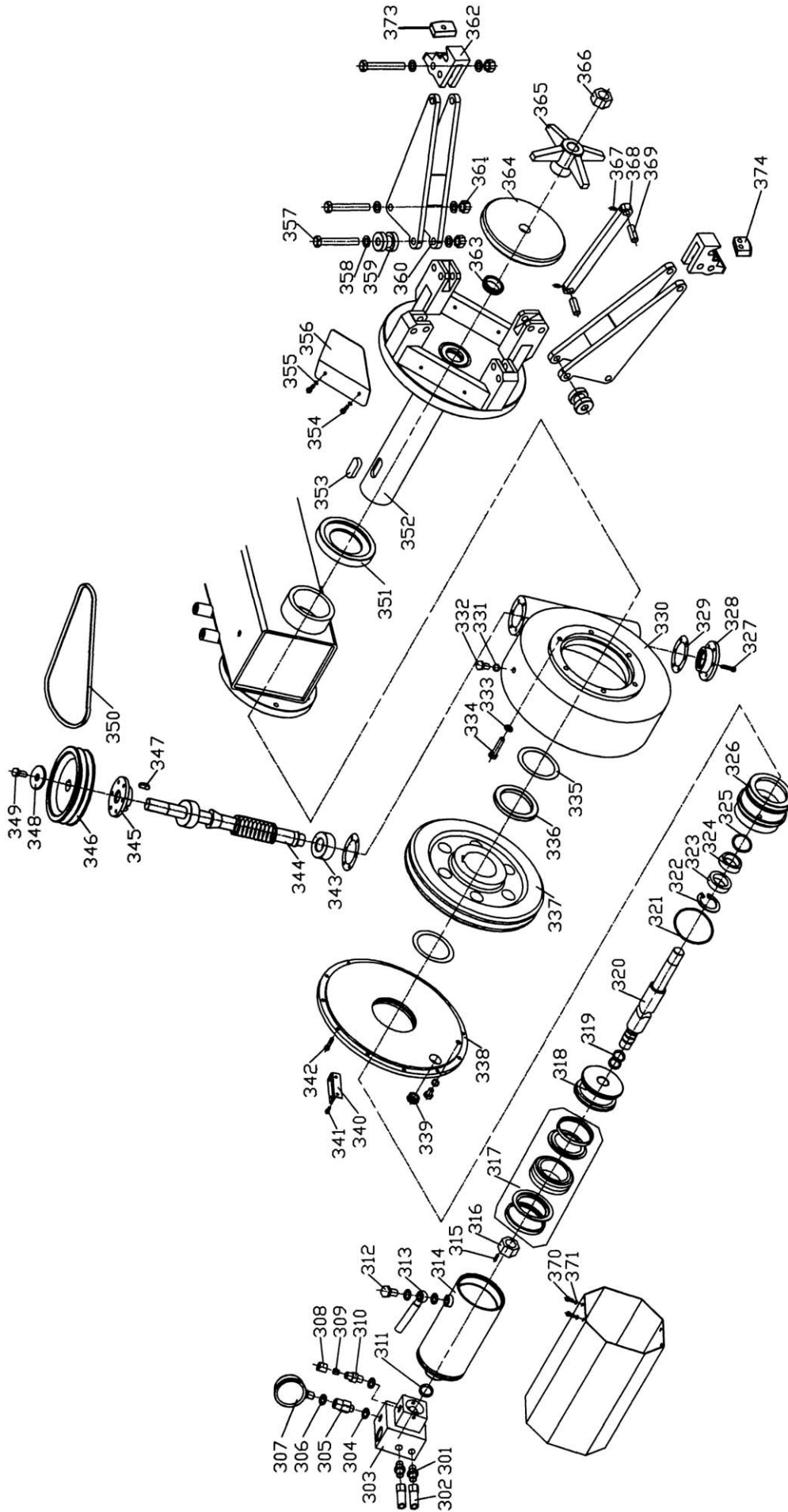


1580 SPARE PARTS—BODY AND LIFTING ARM



1580 SPARE PARTS—MOVING PLATE AND VERTICAL ARM





1580 SPARE PARTS-SHAFT CONTROL CYLINDER AND CLAMP DEVICE

Ref.	Code	Description	Specification	Qty	Note
301	LC588. 12. 12	Union	M14X1. 5 S19	2	
302	LC588. 12. 16B	Oil hose A	Ø12 Ø6	2	
303		Revolving union complete	M14X1. 5	1	
304		Washer	Ø14	2	
305	LC588. 12. 11	Gauge union	M14X1. 5 S22	1	
306	LC588. 12. 10	Washer	Ø12	1	
307		Gauge	63mm, 0-250bar	1	
308	LC588. 00. 18	Locknut	M14X1. 5 S17	1	
309		Spacer	Ø8	1	
310	LC588. 00. 15	Union	M14X1. 5 S19	1	
311		O-ring	Ø25 (inside) X3.55	1	
312	LC588. 00. 19	Union	M14X1.5 S22		
313	LC588. 00. 20	Union		1	
314	LC588. 12. 03. 01. 00	Cylinder body	cylinderØ95, stroke 105	1	
315		Screw	M6X10	1	
316		Nut	M24X2	1	
317		Sealing part	DAS095X75	1	
318	LC588. 12. 03. 02	Piston		1	
319		O-ring	Ø25 (outside) X2. 65	2	
320	LC588. 12. 03. 03	Shaft of cylinder	Ø35	1	
321		O-ring	Ø101 (outside) X3.55	1	
322		Seeger ring	53	1	
323	LC588. 12. 03. 05	Spacer		1	
324		Sealing ring	35X43X12	1	
325		O-ring	Ø40 (outside) X2.65	1	
326	LC588. 12. 03. 04	Cylinder front housing	M74X2	1	
327		Screw	M6X25	12	
328	LC588. 04. 17	Rear housing for gearbox		1	
329	LC588. 04. 19. 07A	Paper washer	ø0. 3	2	
330	LC588. 04. 15. 01A	Gearbox		1	
331		O-ring	Ø10 (inside) X3.15	2	
332		Stop-up	M10X16	2	
333		Flat washer	10	6	
334		Screw	M10X45	6	
335	LC588. 04. 12	Adjusting washer	ø0. 5	2	
336	LC588. 04. 13	Adjusting washer	ø9	1	
337	LC588. 04. 14B	Worm wheel	Z=100, M=3	1	
338	LC588.04. 16	Gearbox housing		1	
339		Oil filter warning light	M27X1.5	1	
340	LC588. 04. 23	Support iron		2	
341		Screw	M5X10	4	
342		Screw	M6X25	12	
343		Bearing	30205	2	
344	LC588. 04. 18	Worm rod	M=3, Ø42	1	
345	LC588. 04. 20	Gearbox front housing		1	
346	LC588.04.21	Pulley	A	1	
347		Disk key	8X35	1	
348	LC588. 04. 22	Seeger ring		1	
349		Screw	M8X20	1	
350		Belt	A750	2	
351	LC588.04. 11	Spacer		1	
352	LC588. 04.01.00	Frame		1	
353		Disk key	20X50	1	
354		Screw	M6X10	8	
355		Flat washer		8	
356	LC588. 04. 25	Protection plate		4	
357		Screw	M14X80	12	
358		Flat washer	14	12	
359	LC588. 04. 08	Roller	Ø40	4	
360	LC588. 04. 02. 00	Jaw support	frame	4	
361		Locknut	M14	12	
362	LC588. 04. 07A	Jaw		4	
363	LC588. 04. 10	Protection cover		1	
364	LC588. 04. 04	Plate	ø24, Ø190	1	
365	LC588. 04. 03. 00	Support	frame	1	
366		Locknut	M24X2	1	

1580 SPARE PARTS-ELECTRICAL PARTS

