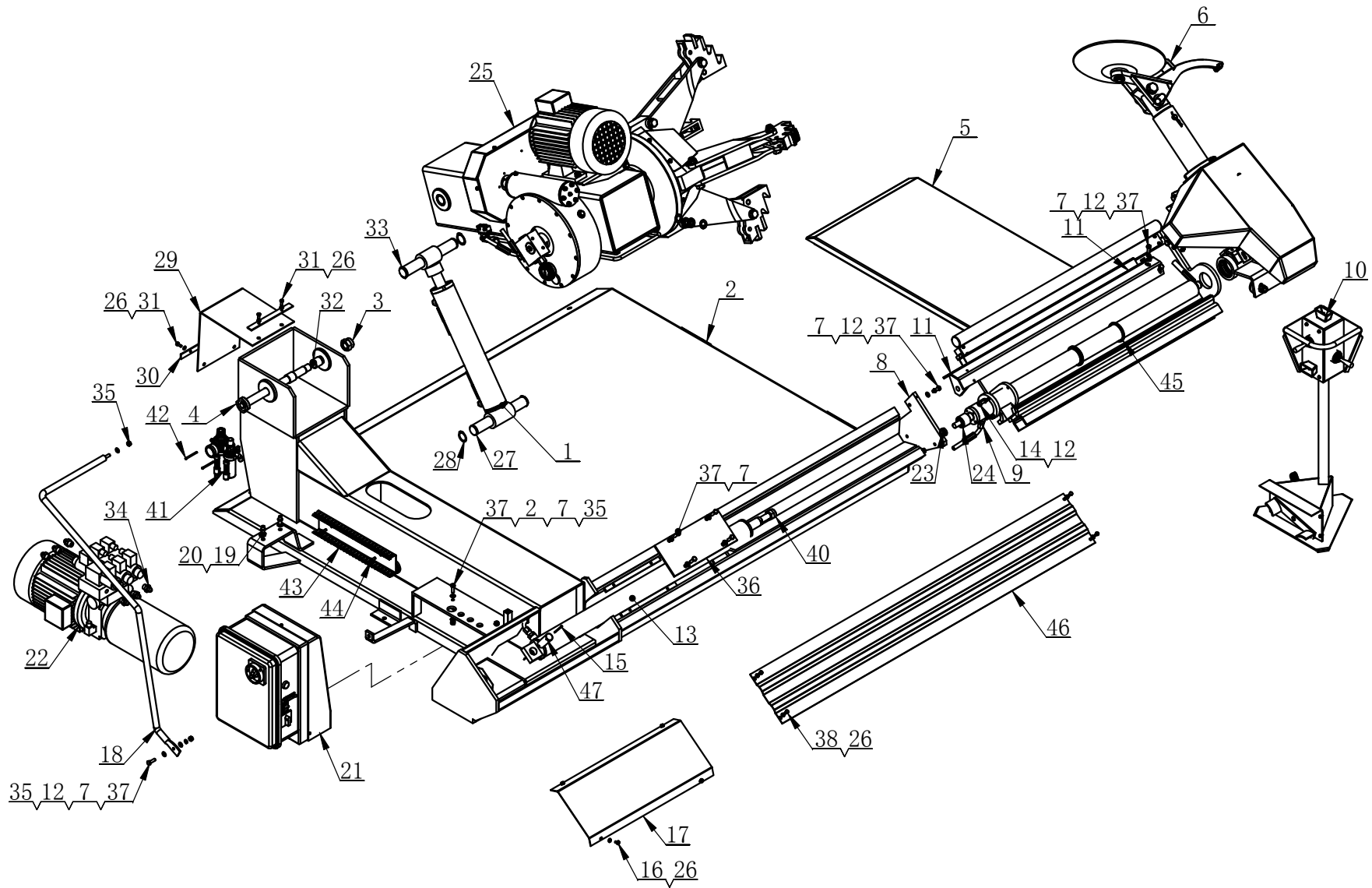
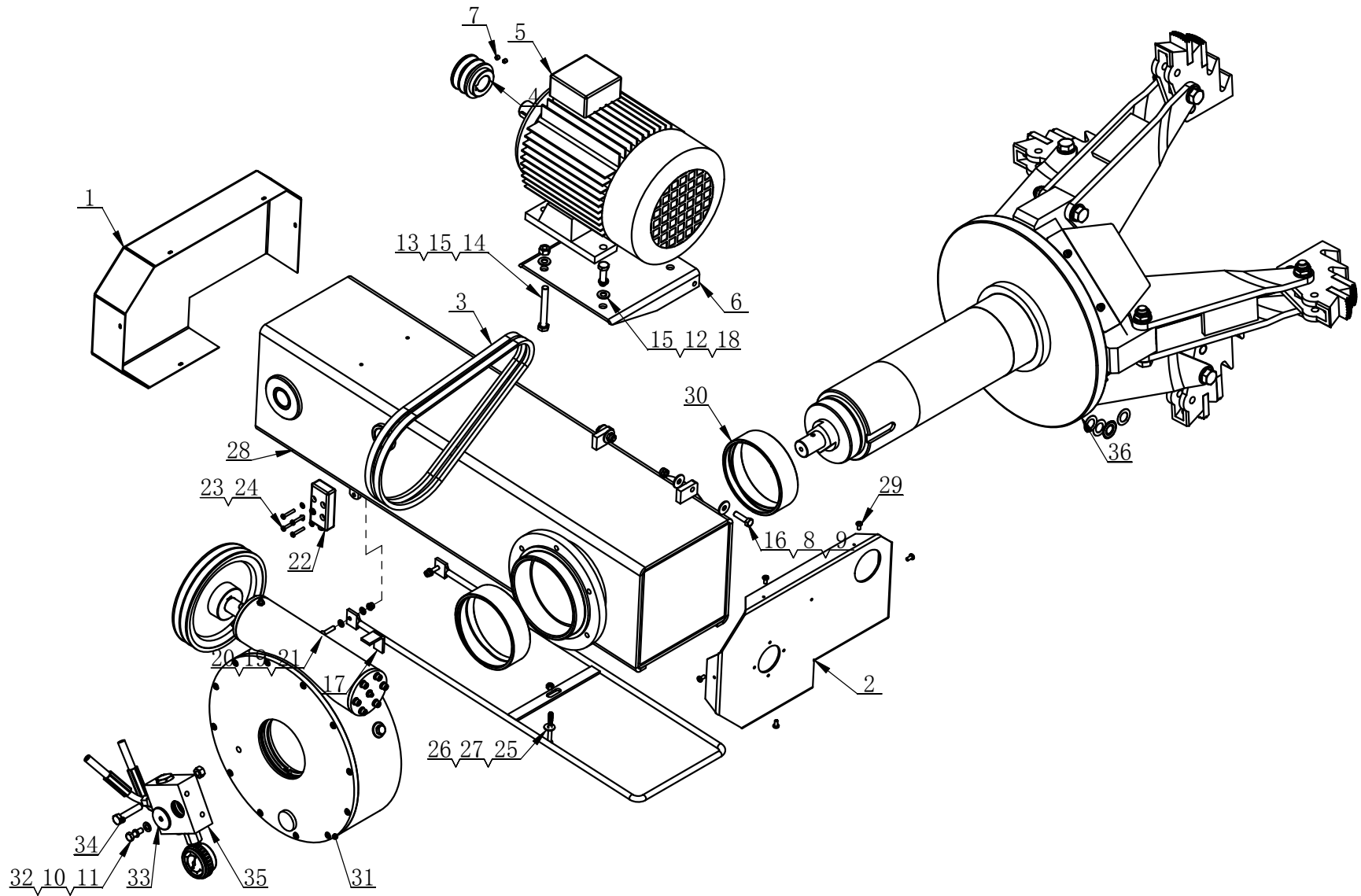


Станок
ШИНОМОНТАЖНЫЙ
V-57

Детализировка



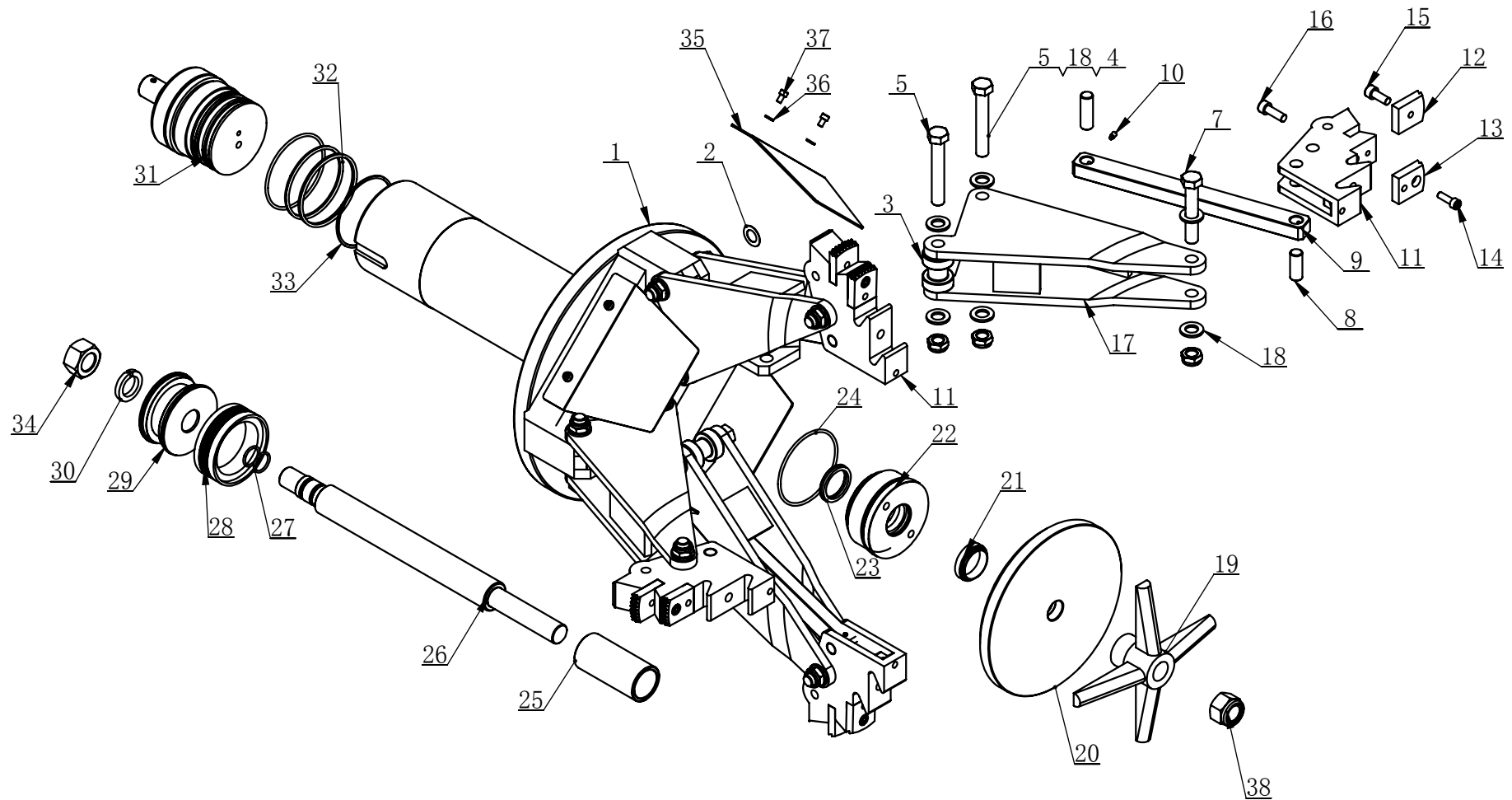
| ITEM | PART № | Description. | QTY |
|------|---------|----------------------------|-----|
| 1 | 6001503 | LIFTING OIL TANK | 1 |
| 2 | 6001515 | BODY | 1 |
| 3 | 5000049 | NUT M24 | 1 |
| 4 | 6001583 | LIFTING ARM ROTATION SHAFT | 1 |
| 5 | 6003208 | MAIN TRAILER | 1 |
| 6 | 6001666 | SUPPORT ARM | 1 |
| 7 | 5000018 | WASHER 8 | 18 |
| 8 | 6001728 | RETAINING PLATE | 1 |
| 9 | 6001729 | BRACKET OIL TANK | 1 |
| 10 | 6001761 | OPERATION DESK | 1 |
| 11 | 6001793 | GUARD BAR | 1 |
| 12 | 5004046 | WASHER 8 | 12 |
| 13 | 6001799 | TRAILER OIL TANK | 1 |
| 14 | 5004060 | SCREW M8X30 | 3 |
| 15 | 5000116 | PIN 3.2X32 | 2 |
| 16 | 5000117 | SCREW M6X12 | 4 |
| 17 | 6001811 | PROTECTIVE PLATE B | 1 |
| 18 | 6001813 | PROTECTIVE BRACKET | 1 |
| 19 | 5000022 | BOLT M10X30 | 2 |
| 20 | 5010006 | WASHER 10 | 2 |
| 21 | 6001815 | AIR CONTROLING ASSEMBLY | 1 |
| 22 | 5500093 | HYDRAULIC PUMP | 1 |
| 23 | 5000105 | NUT M16 | 1 |
| 24 | 6001823 | NYLON COVER | 1 |
| 25 | 6003207 | LIFTING ARM ASSEMBLY | 1 |
| 26 | 5000007 | WASHER 6 | 12 |
| 27 | 6001824 | FIXTURE SHAFT | 2 |
| 28 | 5000097 | CRICLIP 32 | 2 |
| 29 | 6001592 | RUBBER PLATE | 1 |
| 30 | 6001593 | PRESS PLATE | 2 |
| 31 | 5000057 | BOLT M6X16 | 4 |
| 32 | 6001595 | COPPER BUSHING | 2 |
| 33 | 5006411 | RING 35 | 2 |
| 34 | 6001738 | DOUBLE SCREW | 8 |
| 35 | 5002060 | NUT M8 | 4 |
| 36 | 6001598 | RETAINING PLATE | 1 |
| 37 | 5000019 | BOLT M8X25 | 13 |
| 38 | 5004248 | BOLT M6X12 | 4 |
| 39 | 5004249 | WASHER 20 | 1 |
| 40 | 5004250 | NUT M20X1.5 | 1 |
| 41 | 5502035 | AIR REGULATOR ASSY | 1 |
| 42 | 5002041 | SCREW M4X50 | 2 |
| 43 | 5500044 | SHORT WIRE GROOVE 25X30 | 1 |
| 44 | 5002010 | SCREW M6X16 | 3 |
| 45 | 5500082 | DUSTPROOF WASHER 60-80 | 2 |
| 46 | 6001798 | PROTECTIVE PLATE | 1 |
| 47 | 6001810 | FIXTURE PIN SHAFT | 1 |



6003207 VERTICAL MOVABLE ARM

| ITEM | PART № | Description. | QTY |
|------|---------|-----------------------|-----|
| 1 | 6001614 | PROTECTIVE COVER | 1 |
| 2 | 6001613 | MOTOR BOTTOM COVER | 1 |
| 3 | 5500094 | BELT A850 | 2 |
| 4 | 6001615 | SMALL BELT PULLEY | 1 |
| 5 | 5500092 | MOTOR | 1 |
| 6 | 6001612 | MOTOR BASE PLATE | 1 |
| 7 | 5000099 | SCREW M6X10 | 2 |
| 8 | 5010081 | WASHER 8 | 6 |
| 9 | 5010092 | NUT M8 | 2 |
| 10 | 5004046 | WASHER 8 | 3 |
| 11 | 5000107 | BOLT M8X25 | 3 |
| 12 | 5000063 | BOLT M10X35 | 3 |
| 13 | 5010004 | NUT M10 | 2 |
| 14 | 5004244 | SCREW M6X80 | 1 |
| 15 | 5004041 | WASHER 10 | 4 |
| 16 | 5000093 | BOLT M8X30 | 2 |
| 17 | 6001596 | BRACKET | 1 |
| 18 | 5010006 | WASHER 10 | 3 |
| 19 | 5000007 | WASHER 6 | 4 |
| 20 | 5004047 | NUT M6 | 2 |
| 21 | 5006006 | SCREW M6X25 | 2 |
| 22 | 5508009 | STROLE SWITCH | 1 |
| 23 | 5010040 | WASHER 4 | 4 |
| 24 | 5000134 | NUT M4X25 | 4 |
| 25 | 5006077 | WASHER 6 | 1 |
| 26 | 5004008 | NUT M6 | 1 |
| 27 | 5004244 | HSHCS M6X80 | 1 |
| 28 | 6001586 | LIFTING ARM | 1 |
| 29 | 5006439 | SCREW M5X10 | 5 |
| 30 | 6001594 | BIG COPPER BUSHING | 2 |
| 31 | 6001569 | GEARBOX ASSEMBLY | 1 |
| 32 | 5000018 | WASHER 8 | 1 |
| 33 | 6001555 | PRESS COVER | 1 |
| 34 | 5000115 | BOLT M10x50 | 1 |
| 35 | 5500091 | OIL GUIDER VALVE BODY | 1 |
| 36 | 6001616 | CLAMP OIL TANK | 1 |

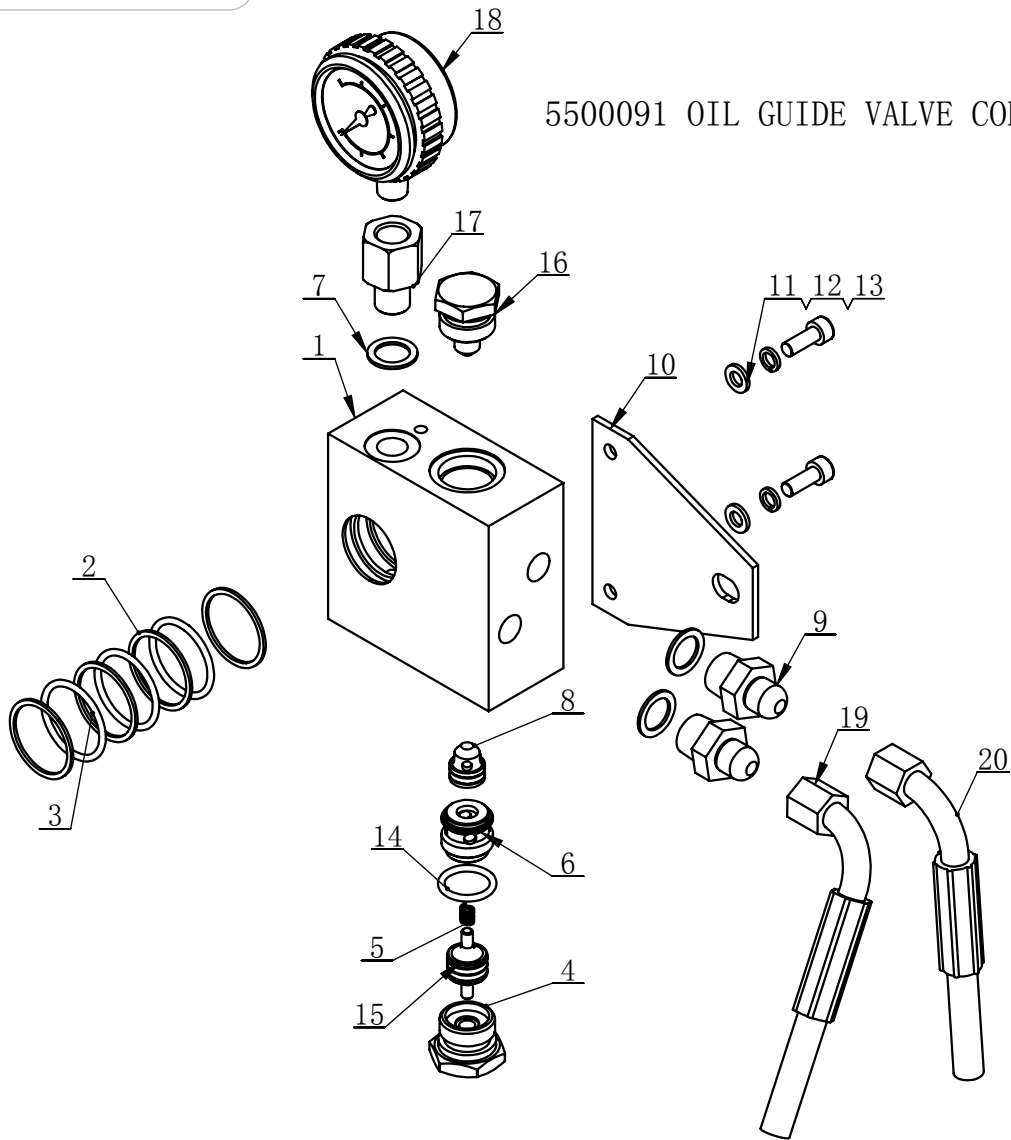
60031616 PRINCIPAL AXIS ASSEMBLY



60031616 PRINCIPAL AXIS ASSEMBLY

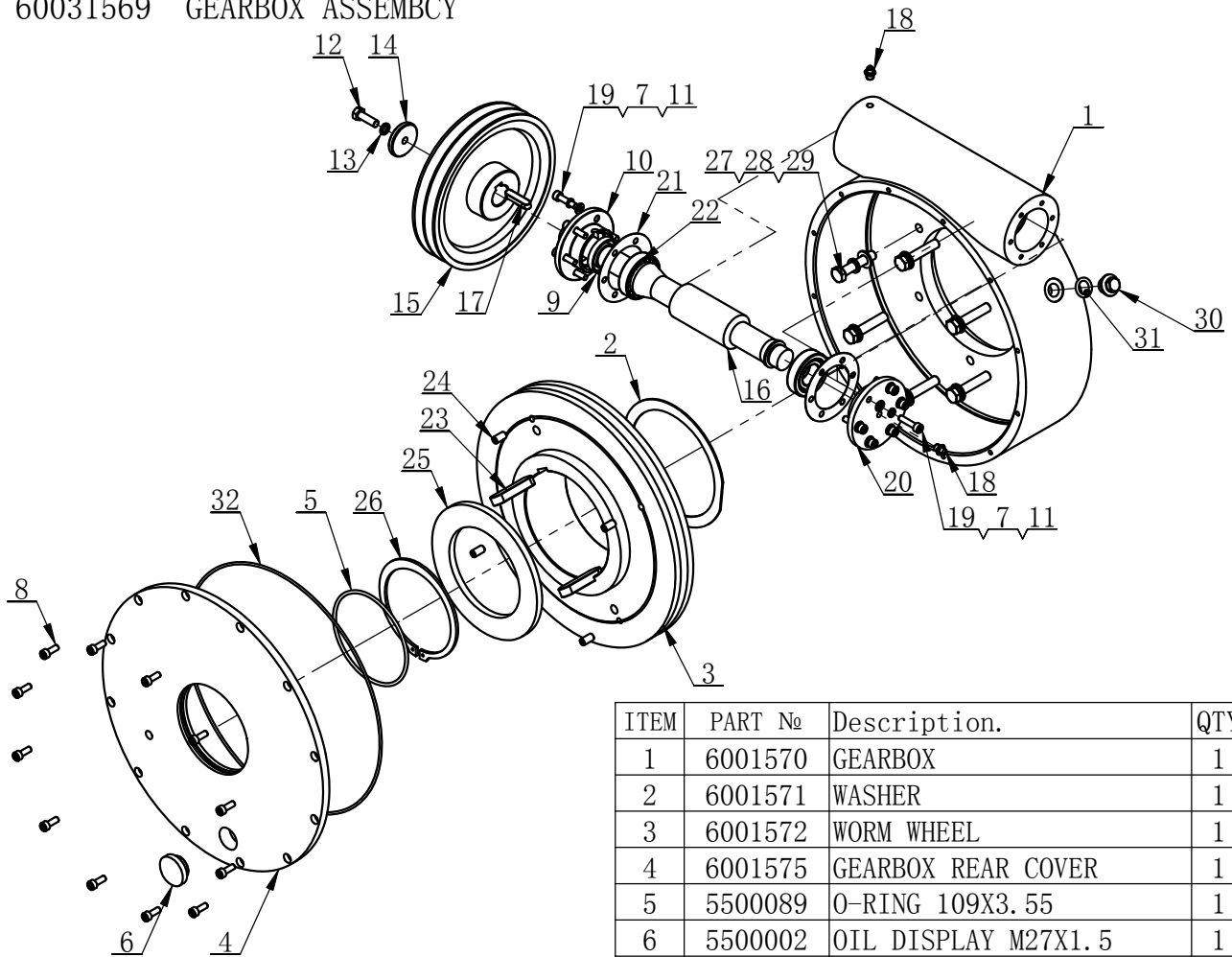
| ITEM | PART No | Description. | QTY |
|------|---------|---------------------|-----|
| 1 | 6001617 | CLAMP DISK | 1 |
| 2 | 6001622 | ADJUSTING WASHER | 7 |
| 3 | 6001623 | ROLLER | 4 |
| 4 | 5000105 | NUT M16 | 12 |
| 5 | 5010136 | BOLT M16X100 | 8 |
| 6 | 6001624 | PIN SHAFT | 1 |
| 7 | 5000084 | BOLT M16X90 | 4 |
| 8 | 6001625 | PIN SHAFT | 4 |
| 9 | 6001626 | CONNECTION PLATE | 4 |
| 10 | 5000085 | SCREW M6X12 | 8 |
| 11 | 6001627 | CLAMP | 4 |
| 12 | 6001628 | CLAMP | 4 |
| 13 | 6001629 | CLAMP | 4 |
| 14 | 5010088 | SCREW M8X25 | 4 |
| 15 | 5010064 | SCREW M10X25 | 4 |
| 16 | 5000033 | SCREW M10X30 | 4 |
| 17 | 6001630 | CLAMP SUPPORT | 4 |
| 18 | 5010073 | WASHER 16 | 24 |
| 19 | 6001635 | BRACKET | 1 |
| 20 | 6001638 | PAD BOARD | 1 |
| 21 | 5500077 | 防尘圈DHS40X48X5 | 1 |
| 22 | 6001639 | CYLINDER HEAD COVER | 1 |
| 23 | 5500078 | 密封圈UNP40X50X10 | 1 |
| 24 | 5500079 | O-RINGS A 100X3.55 | 2 |
| 25 | 6001640 | SPACER | 1 |
| 26 | 6001641 | PISTON ROD | 1 |
| 27 | 5500080 | O-RING A 23.6X2.65 | 2 |
| 28 | 5500081 | 组合圈TW100X75X22.4 | 1 |
| 29 | 6001642 | PISTON | 1 |
| 30 | 5000058 | WASHER 27 | 1 |
| 31 | 6001643 | OIL TANK HEAD COVER | 1 |
| 32 | 5500063 | O-RING A 95X3.55 | 2 |
| 33 | 6001644 | BLOCK RING | 3 |
| 34 | 5000087 | NUT M27X2 | 1 |
| 35 | 6001591 | PROTECTIVE PLATE | 4 |
| 36 | 5000007 | WASHER 6 | 9 |
| 37 | 5004220 | SCREW M6X10-N | 8 |
| 38 | 5004237 | LOCK NUT M27*2 | 1 |

5500091 OIL GUIDE VALVE CORE ASSEMBLY



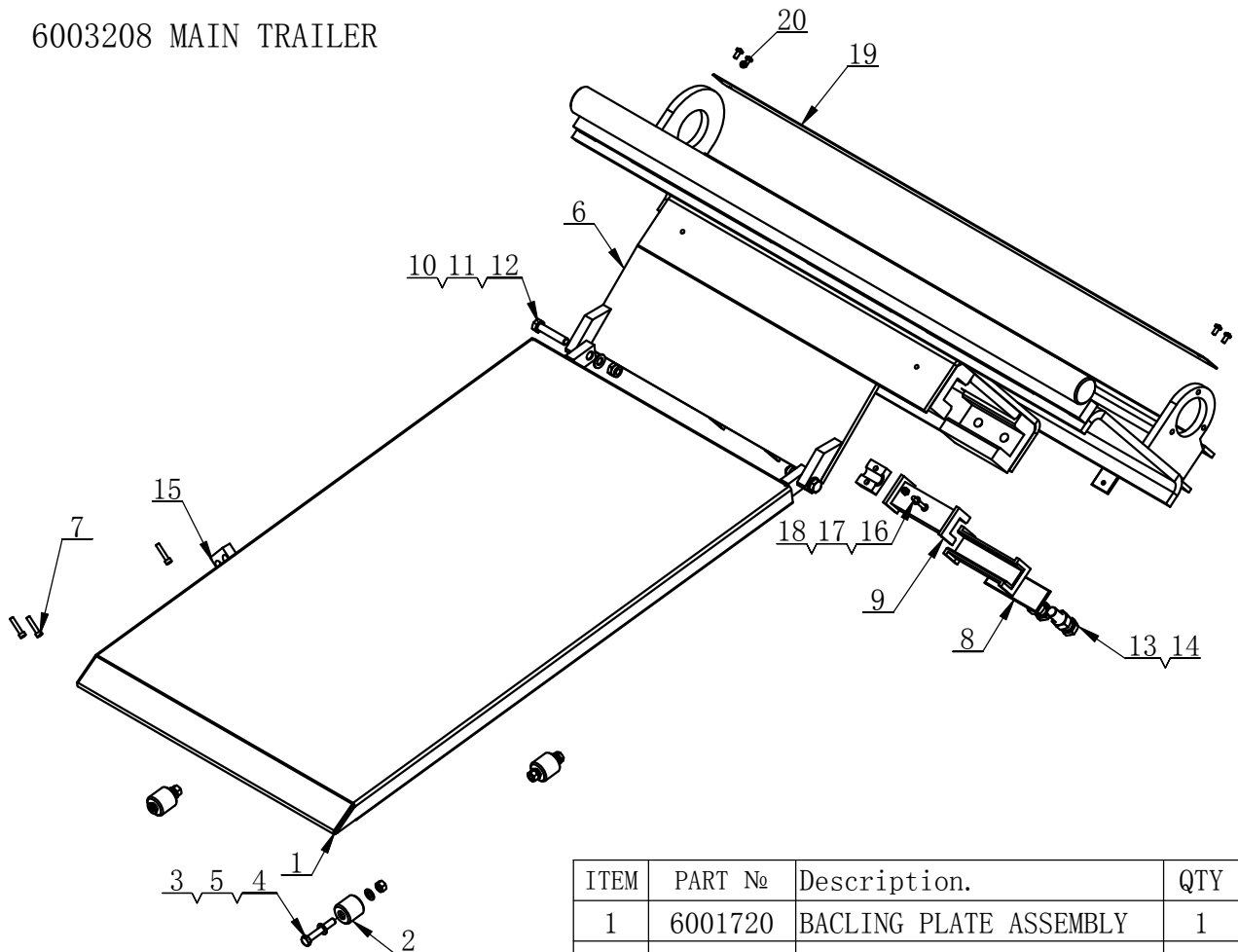
| ITEM | PART No | Description. | QTY |
|------|---------|--------------------------|-----|
| 1 | 6001557 | OIL GUIDER VALVE BODY | 1 |
| 2 | 6001558 | WASHER | 4 |
| 3 | 5500118 | RING A 30X2.65 | 3 |
| 4 | 6001559 | HEXAGON VALVE COVER | 1 |
| 5 | 5500117 | SPRING | 1 |
| 6 | 6001561 | VALVE SUPPORT | 1 |
| 7 | 6001508 | WASHER | 3 |
| 8 | 6001563 | VALVE | 1 |
| 9 | 6001738 | DOUBLE SCREW | 2 |
| 10 | 6001565 | FIXTURE PLATE | 1 |
| 11 | 5000007 | WASHER 6 | 2 |
| 12 | 5010058 | WASHER 6 | 2 |
| 13 | 5009015 | SCREW M6X16 | 2 |
| 14 | 5500119 | O-RING A 18X2.65 | 2 |
| 15 | 6001566 | VALVE | 1 |
| 16 | 6001567 | WIRE PLUG | 1 |
| 17 | 6001568 | PRESSURE GAUGE CONNECTOR | 1 |
| 18 | 5500116 | PRESSURE GAUGE 35MPa | 1 |
| 19 | 5004239 | PRESSURE HOSE A L=1.4 | 1 |
| 20 | 5004238 | PRESSURE HOSE A L=1.5 | 1 |

60031569 GEARBOX ASSEMBLY



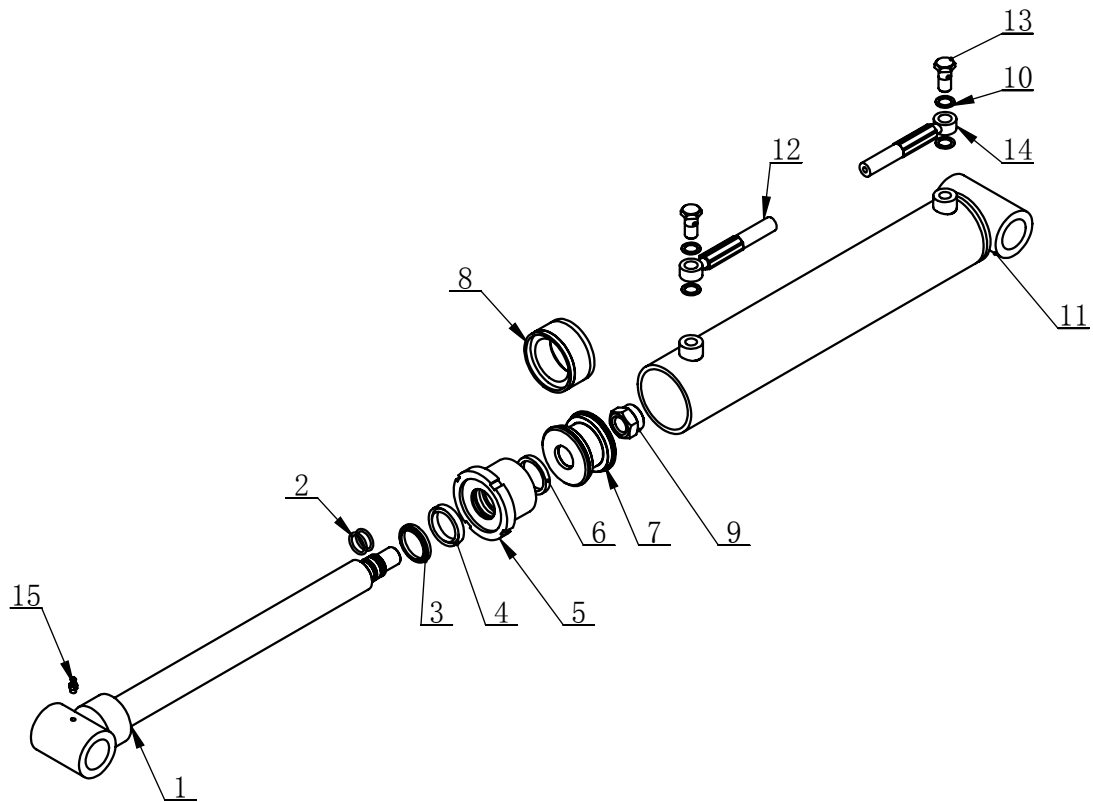
| ITEM | PART No | Description. | QTY |
|------|---------|-------------------------|-----|
| 1 | 6001570 | GEARBOX | 1 |
| 2 | 6001571 | WASHER | 1 |
| 3 | 6001572 | WORM WHEEL | 1 |
| 4 | 6001575 | GEARBOX REAR COVER | 1 |
| 5 | 5500089 | O-RING 109X3.55 | 1 |
| 6 | 5500002 | OIL DISPLAY M27X1.5 | 1 |
| 7 | 5010058 | WASHER 6 | 12 |
| 8 | 5009015 | SCREW M6X16 | 12 |
| 9 | 5000016 | SEALING WASHER W42X25X7 | 1 |
| 10 | 6001577 | GEARBOX FRONT COVER | 1 |
| 11 | 1000109 | WASHER 6 | 12 |
| 12 | 5000107 | BOLT M8X25-N | 1 |
| 13 | 5004046 | WASHER 8 | 1 |
| 14 | 6001578 | CIRCLIP | 1 |
| 15 | 6001579 | LARGE BELT PULLEY | 1 |
| 16 | 6001580 | WORM ROD | 1 |
| 17 | 5000132 | KEY 8X36 | 1 |
| 18 | 5000012 | OIL CUP M8X1 | 2 |
| 19 | 5006006 | SCREW M6X25 | 12 |
| 20 | 6001581 | GEARBOX REAR COVER | 1 |
| 21 | 6001582 | PAPER WASHER | 2 |
| 22 | 5000015 | ROLLING BEARING 30205 | 2 |
| 23 | 5004233 | FLAT KEY 16X60 | 2 |
| 24 | 5004234 | SCREW M8X16-N | 4 |
| 25 | 6001590 | WASHER | 1 |
| 26 | 5004235 | CIRCLIP | 1 |
| 27 | 5004221 | WASHER 10 | 6 |
| 28 | 5010006 | WASHER 10 | 6 |
| 29 | 5010139 | BOLT M10X50 | 6 |
| 30 | 6001155 | BOLT | 1 |
| 31 | 5000011 | O-RING 15X3.55 | 1 |
| 32 | 5000009 | O-RING 300X2.65 | 1 |

6003208 MAIN TRAILER



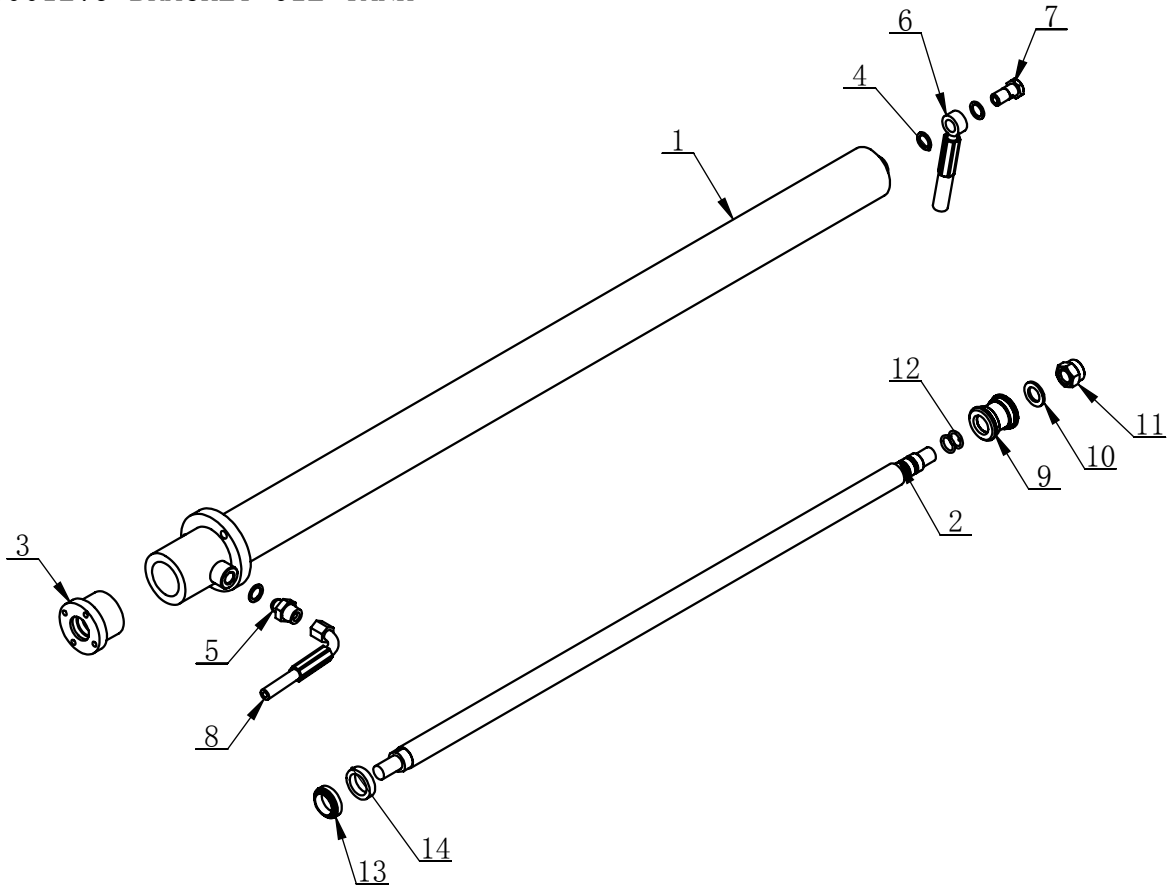
| ITEM | PART № | Description. | QTY |
|------|---------|------------------------|-----|
| 1 | 6001720 | BACLING PLATE ASSEMBLY | 1 |
| 2 | 6001597 | ROLLER WHEEL | 4 |
| 3 | 5002060 | NUT M8 | 4 |
| 4 | 5004241 | BOLT M8X50 | 3 |
| 5 | 5000018 | WASHER 8 | 8 |
| 6 | 6001742 | MAIN TRAILER | 1 |
| 7 | 5004063 | SCREW M5X25 | 6 |
| 8 | 6001740 | BACKING PLATE | 2 |
| 9 | 6001741 | PLASTIC GUIDE RAIL | 4 |
| 10 | 5006001 | NUT M10 | 2 |
| 11 | 5004221 | WASHER 10 | 4 |
| 12 | 5000115 | BOLT M10x50 | 2 |
| 13 | 5000101 | BOLT M14X50 | 4 |
| 14 | 5000086 | NUT M14 | 4 |
| 15 | 6001599 | CABLE CLIPPING BOX | 4 |
| 16 | 5004251 | SCREW M5X35 | 2 |
| 17 | 5010045 | WASHER 5 | 2 |
| 18 | 5004247 | NUT M5 | 2 |
| 19 | 6003216 | BAFFLE | 1 |
| 20 | 5006439 | SCREW M5X10 | 4 |

6001503 LIFTING OIL TANK



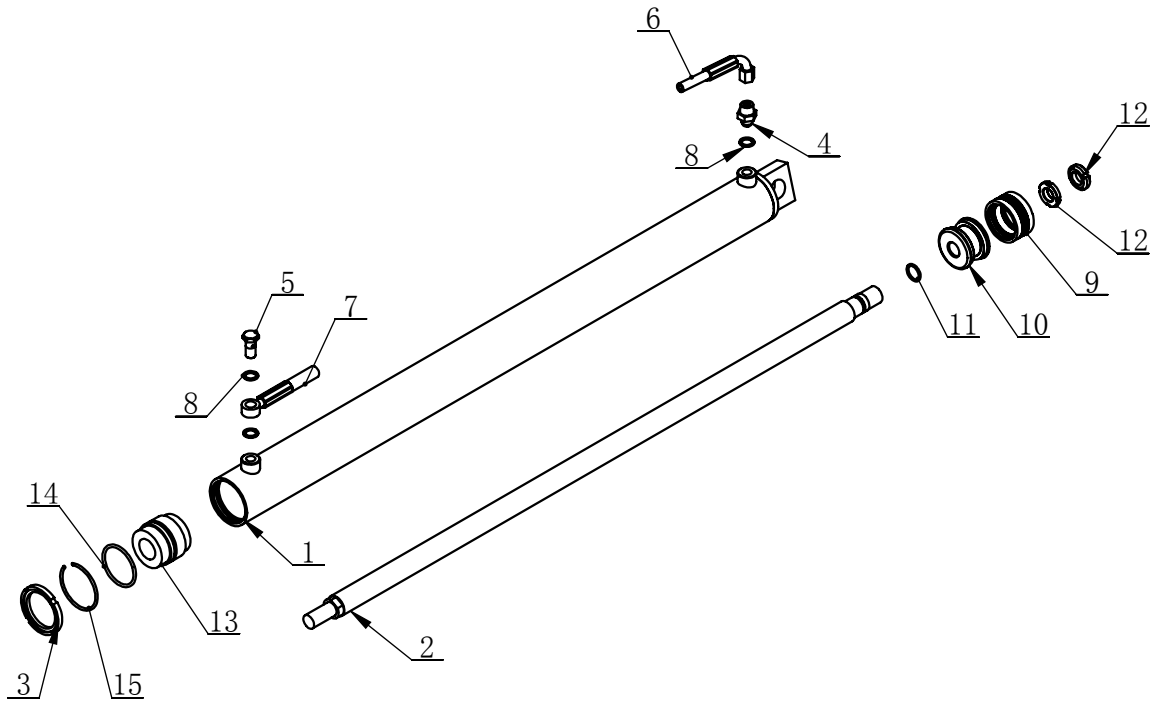
| ITEM | PART No | Description. | QTY |
|------|---------|--------------------------------------|-----|
| 1 | 6001504 | PISTON ROD | 1 |
| 2 | 5000076 | O-RING 20X2.65 | 2 |
| 3 | 5500099 | DUSTPROOF WASHER 41X35X4 | 1 |
| 4 | 5500100 | SEALED RING 45X35X8 | 1 |
| 5 | 6001507 | OIL TANK HEAD COVER | 1 |
| 6 | 5500101 | GUIDER SPACER T4X6XD35 | 1 |
| 7 | 5500102 | PISTON | 1 |
| 8 | 5500103 | SEALED RING 70X50X22.4 | 1 |
| 9 | 5000109 | NUT M20 | 1 |
| 10 | 6001508 | WASHER | 4 |
| 11 | 6001509 | OIL TANK BODY | 1 |
| 12 | 5500125 | PRESSURE HOSE (B-TERMINATION) L=1300 | 1 |
| 13 | 6001514 | CONNECTOR | 2 |
| 14 | 5500030 | PRESURE HOSE (B-TERMINATION) L=1200 | 1 |
| 15 | 5004059 | OIL CUP M6 | 1 |

6001279 BRACKET OIL TANK



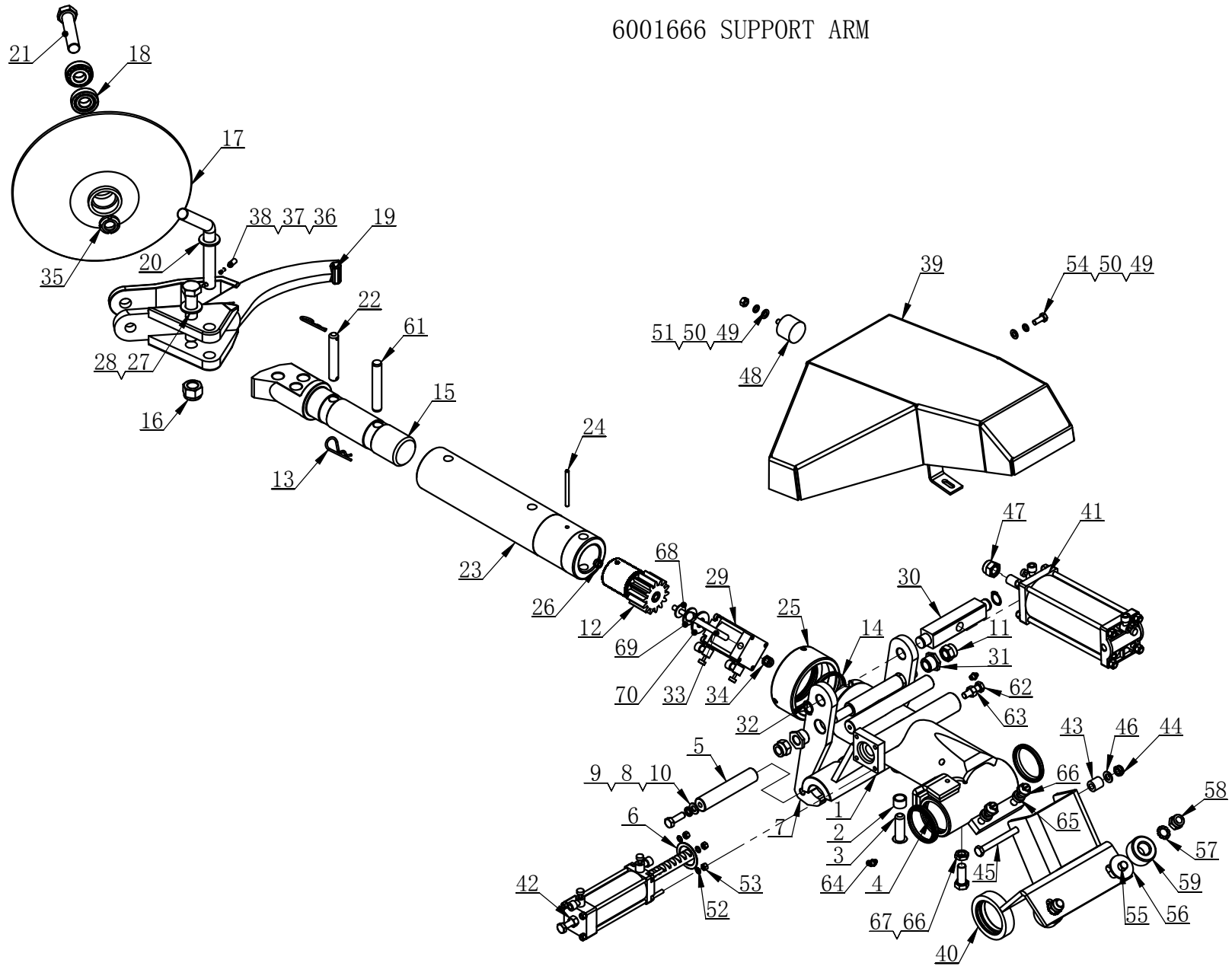
| ITEM | PART № | Description. | QTY |
|------|---------|--------------------------------------|-----|
| 1 | 6001730 | OIL TANK BODY | 1 |
| 2 | 6001735 | PISTON ROD | 1 |
| 3 | 6001736 | OIL TANK HEAD COVER | 1 |
| 4 | 6001508 | WASHER | 3 |
| 5 | 6001738 | DOUBLE SCREW | 1 |
| 6 | 5500124 | PRESSURE HOSE (B-TERMINATION) L=4000 | 1 |
| 7 | 6001514 | CONNECTOR | 1 |
| 8 | 5500104 | PRESSURE HOSE A L=2500 | 1 |
| 9 | 5500102 | PISTON | 1 |
| 10 | 5000110 | WASHER 16-N | 1 |
| 11 | 5004215 | NUT M16 | 1 |
| 12 | 5500105 | O-RING 15X2.65- A | 2 |
| 13 | 5500106 | DUSTPROOF WASHER 25 | 1 |
| 14 | 5500107 | SEALED RING 25X35X8 | 1 |

6001799 TRAILER OIL TANK



| ITEM | PART No | Description. | QTY |
|------|---------|--|-----|
| 1 | 6001800 | CYLINDER BODY | 1 |
| 2 | 6001805 | PISTON ROD | 1 |
| 3 | 6001831 | NUT | 1 |
| 4 | 6001738 | DOUBLE SCREW | 1 |
| 5 | 6001514 | CONNECTOR | 1 |
| 6 | 5500109 | PRESSURE RUBBER HOSE A-TERMINATIO L=2000 | 1 |
| 7 | 5500030 | PREASURE HOSE (B-TERMINATION) L=2300 | 1 |
| 8 | 6001508 | WASHER | 3 |
| 9 | 5500108 | PISTON SEALING 60 | 1 |
| 10 | 6001829 | PISTON | 1 |
| 11 | 5000076 | O-RING 20X2.65-A | 1 |
| 12 | 5000111 | NUT M20X1.5 | 2 |
| 13 | 6001830 | OIL TANK HEAD COVER | 1 |
| 14 | 5500111 | O-RING A 54.5X3.55 | 1 |
| 15 | 5500110 | CIRCLIP 65 | 1 |

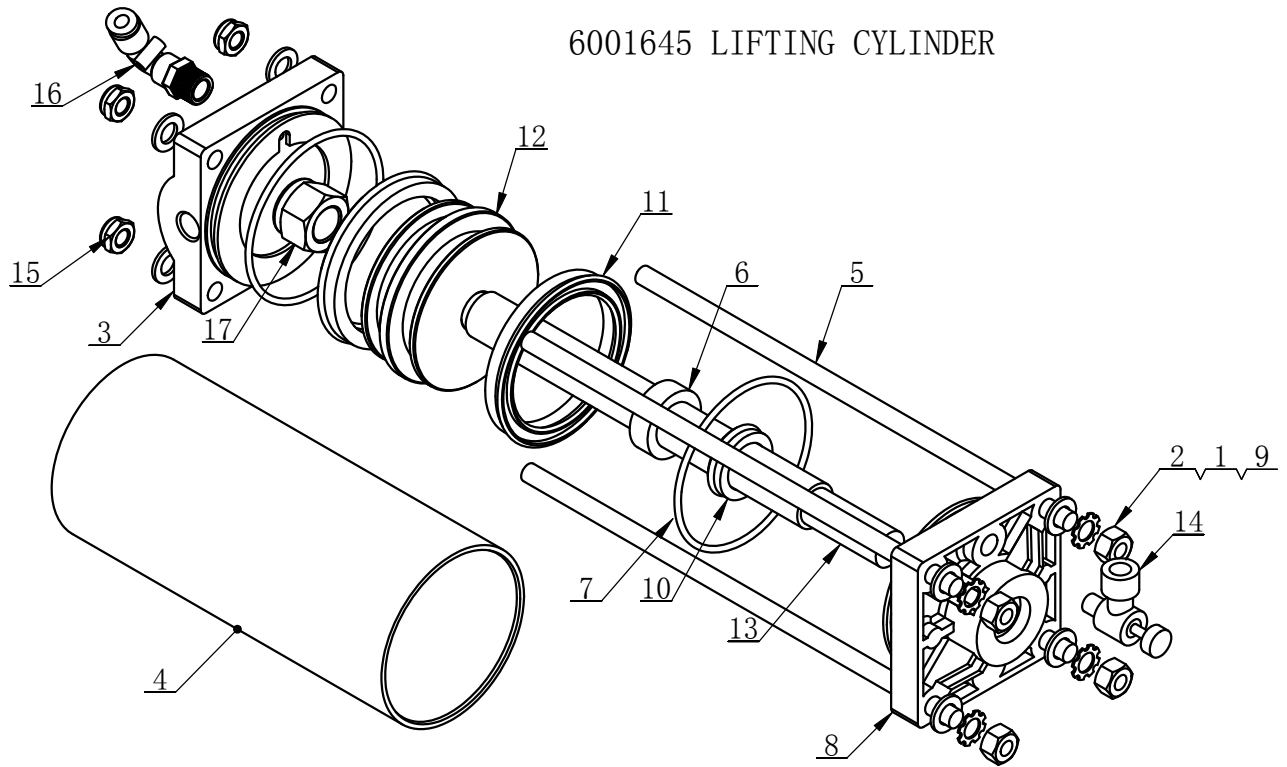
6001666 SUPPORT ARM



6001666 SUPPORT ARM

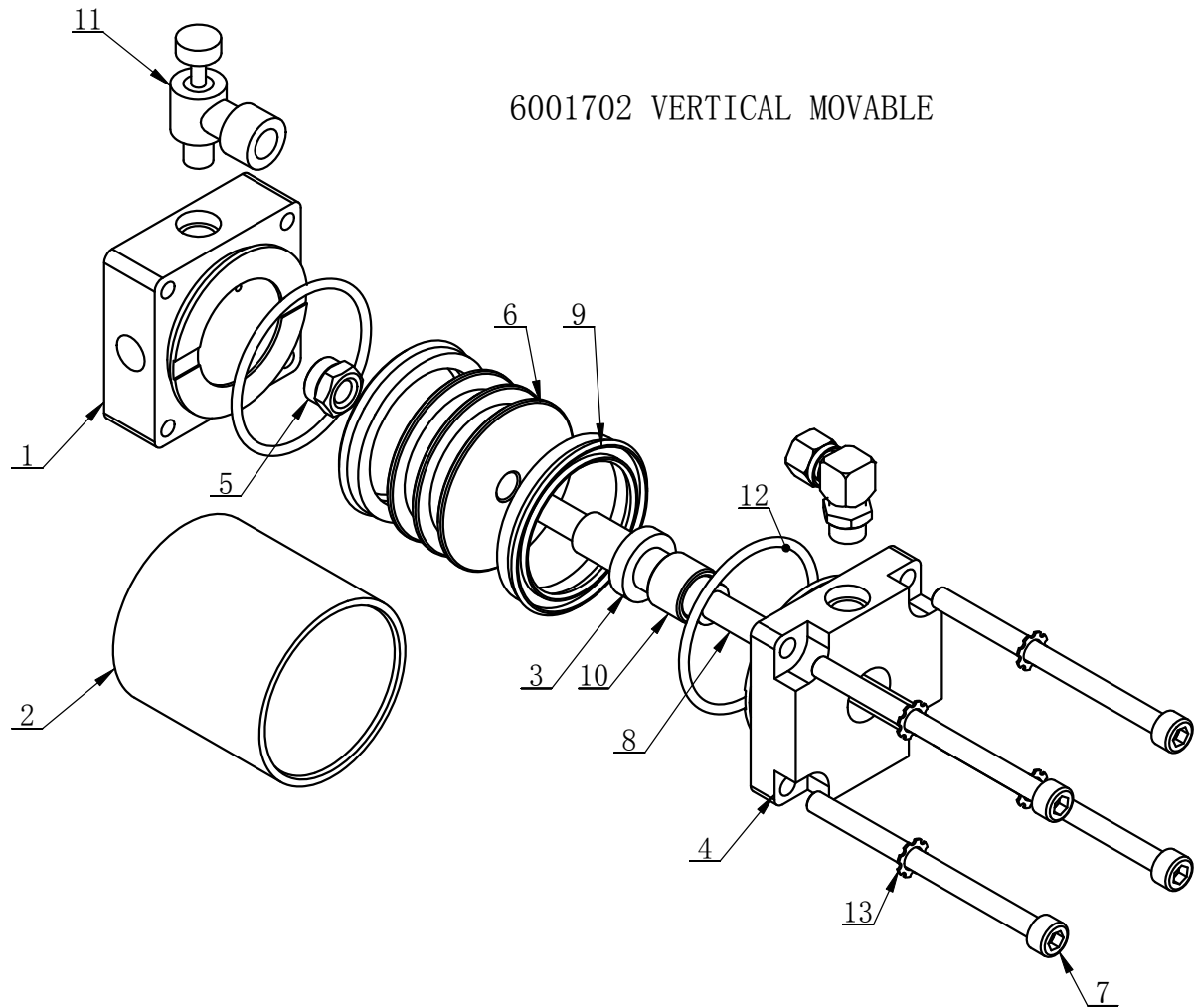
| ITEM | PART № | Description. | QTY | ITEM | PART № | Description. | QTY |
|------|---------|--------------------------|-----|------|---------|------------------|-----|
| 1 | 6001667 | SUPPORT ARM | 1 | 45 | 5000094 | BOLT M10X130 | 1 |
| 2 | 6001681 | PRESS SPRING | 1 | 46 | 5004221 | WASHER 10 | 2 |
| 3 | 6001682 | RETAINING SHAFT | 1 | 47 | 5004215 | NUT M16 | 1 |
| 4 | 5500082 | DUSTPROOF WASHER 58X67X6 | 2 | 48 | 6001600 | RUBBER ROLLER | 1 |
| 5 | 6001683 | FIXTURE SHAFT | 1 | 49 | 5000018 | WASHER 8 | 3 |
| 6 | 6001684 | CUSHION | 1 | 50 | 5004046 | WASHER 8 | 3 |
| 7 | 6001685 | HOOK | 2 | 51 | 5002060 | NUT M8 | 1 |
| 8 | 5010006 | WASHER 10 | 2 | 52 | 5000114 | WASHER 6 | 4 |
| 9 | 5000103 | BOLT M10X30 | 2 | 53 | 5004008 | NUT M6 | 4 |
| 10 | 5004041 | WASHER 10 | 2 | 54 | 5000095 | BOLT M8X1.5X20 | 2 |
| 11 | 5010236 | NUT M16X1.5 | 2 | 55 | 5006430 | BOLT M14X50 | 2 |
| 12 | 6001686 | GEAR | 1 | 56 | 5006431 | WASHER 14 | 2 |
| 13 | 5500083 | CIRCLIP | 2 | 57 | 5006432 | WASHER 14 | 2 |
| 14 | 5500084 | DUSTPROOF WASHER 80X88X8 | 1 | 58 | 5006433 | NUT M14 | 2 |
| 15 | 6001691 | SUPPORTING SHAFT | 1 | 59 | 6001601 | ROTATION BUSHING | 2 |
| 16 | 5000026 | NUT M20X1.5 | 1 | 60 | 5006434 | SCREW M6X10 | 1 |
| 17 | 6001692 | BEAD BREAKING DISK | 1 | 61 | 5006435 | PIN 16X100 | 1 |
| 18 | 5010094 | TAPERED ROLLER BEARINGS | 2 | 62 | 5006436 | BOLT M10X35 | 1 |
| 19 | 6001695 | LONG FLAT TOOL | 1 | 63 | 5006120 | NUT M10 | 1 |
| 20 | 6001696 | HANDLE | 1 | 64 | 5000012 | OIL CUP M8X1 | 3 |
| 21 | 5010237 | BOLT M20X1.5X95 | 1 | 65 | 6003026 | SCREW | 2 |
| 22 | 6001699 | PIN SHAFT | 1 | 66 | 5006437 | NUT M14 | 3 |
| 23 | 6001700 | ROTATION BUSHING | 1 | 67 | 5006438 | BOLT M14X35 | 1 |
| 24 | 5000120 | PIN 6X75 | 1 | 68 | 5000090 | WASHER 24X8X2 | 1 |
| 25 | 6001701 | NUT-LOCK | 1 | 69 | 5000130 | WASHER 32X8X2 | 1 |
| 26 | 5010092 | NUT M8 | 1 | 70 | 6001708 | RUBBER BOARD | 1 |
| 27 | 5000100 | WASHER 20 | 1 | | | | |
| 28 | 5010238 | BOLT M20X1.5X100 | 1 | | | | |
| 29 | 6001702 | VERTICAL MOVABLE | 1 | | | | |
| 30 | 6001710 | SQUARE SHAFT-QUADRA | 1 | | | | |
| 31 | 6001711 | ACCENTRIC BUSHING | 2 | | | | |
| 32 | 5002032 | CRICLIP 20 | 2 | | | | |
| 33 | 5000102 | BOLT M10X120 | 1 | | | | |
| 34 | 5006001 | NUT M10 | 1 | | | | |
| 35 | 5000111 | NUT M20X1.5 | 1 | | | | |
| 36 | 5500133 | STEEL BALL | 1 | | | | |
| 37 | 5506417 | SPRING | 1 | | | | |
| 38 | 6003025 | SCREW | 1 | | | | |
| 39 | 6001653 | COVER | 1 | | | | |
| 40 | 6001659 | ROTATION BRACKET | 1 | | | | |
| 41 | 6001645 | LIFTING CYLINDER | 1 | | | | |
| 42 | 6001712 | SUPPORT PLATE | 1 | | | | |
| 43 | 6001665 | CUSHION BUSHING | 1 | | | | |
| 44 | 5010043 | NUT M10 | 1 | | | | |

6001645 LIFTING CYLINDER



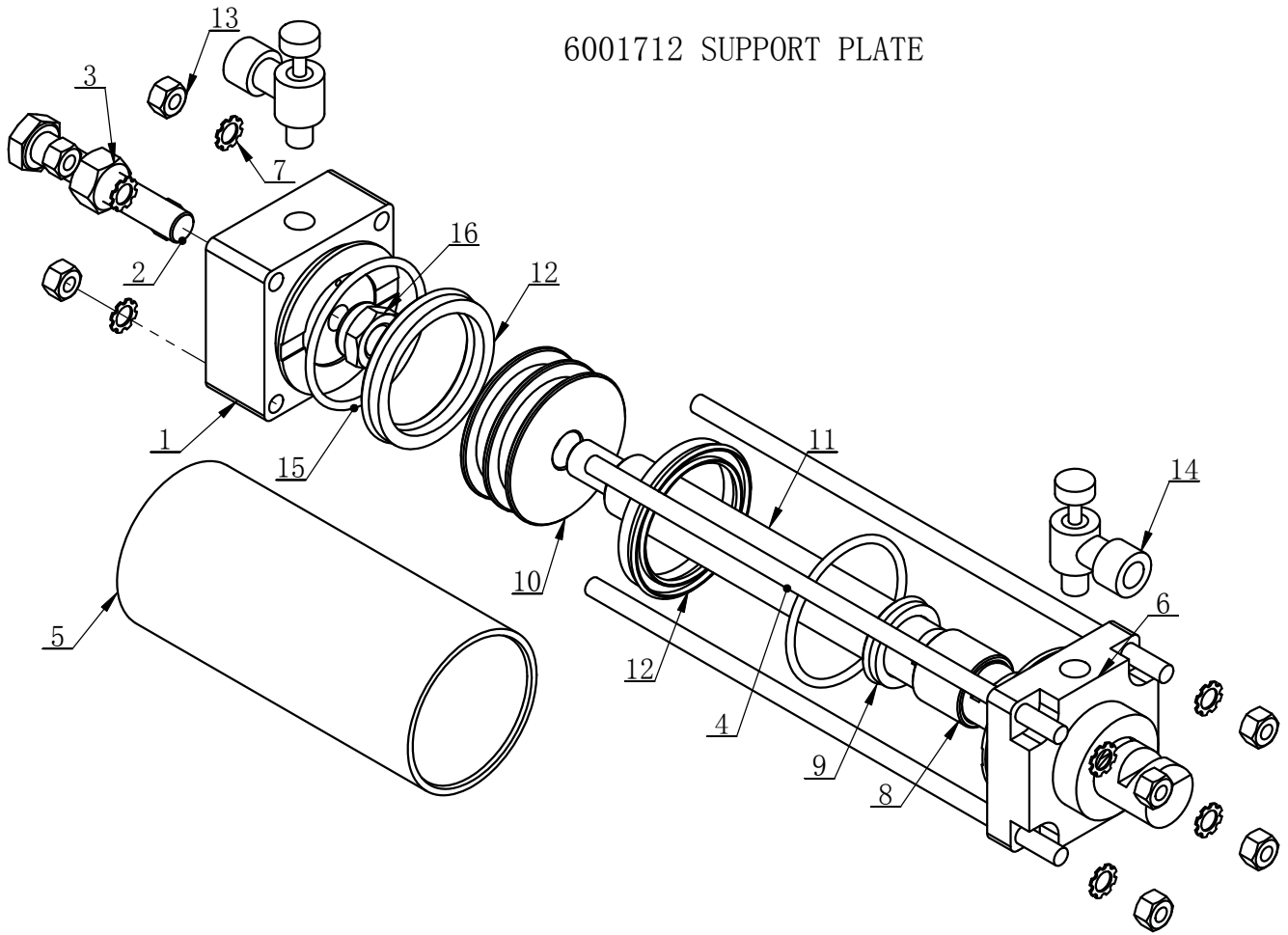
| ITEM | PART № | Description. | QTY |
|------|---------|------------------------------|-----|
| 1 | 5500065 | WASHER 8 | 4 |
| 2 | 5002060 | NUT M8 | 4 |
| 3 | 6003209 | REAR COVER | 1 |
| 4 | 6001647 | CYLINDER BODY | 1 |
| 5 | 6001648 | BOLT | 4 |
| 6 | 5500121 | GUIDER SPACER 5X10X78 | 1 |
| 7 | 5500066 | RING 71X2.65 | 2 |
| 8 | 6001650 | FRONT COVER | 1 |
| 9 | 5000018 | WASHER 8 | 8 |
| 10 | 5500122 | SOL ENOID VALVE | 1 |
| 11 | 5500123 | SEAL-ROD 75X58X9.3 | 2 |
| 12 | 6001651 | PISTON | 1 |
| 13 | 6001652 | PISTON ROD | 1 |
| 14 | 5500086 | ELBOW 1/8 | 1 |
| 15 | 5010003 | NUT M8 | 4 |
| 16 | 5502028 | INSERT ELBOW R1/8 " Φ 6 | 1 |
| 17 | 5006450 | NUT M16 | 1 |

6001702 VERTICAL MOVABLE



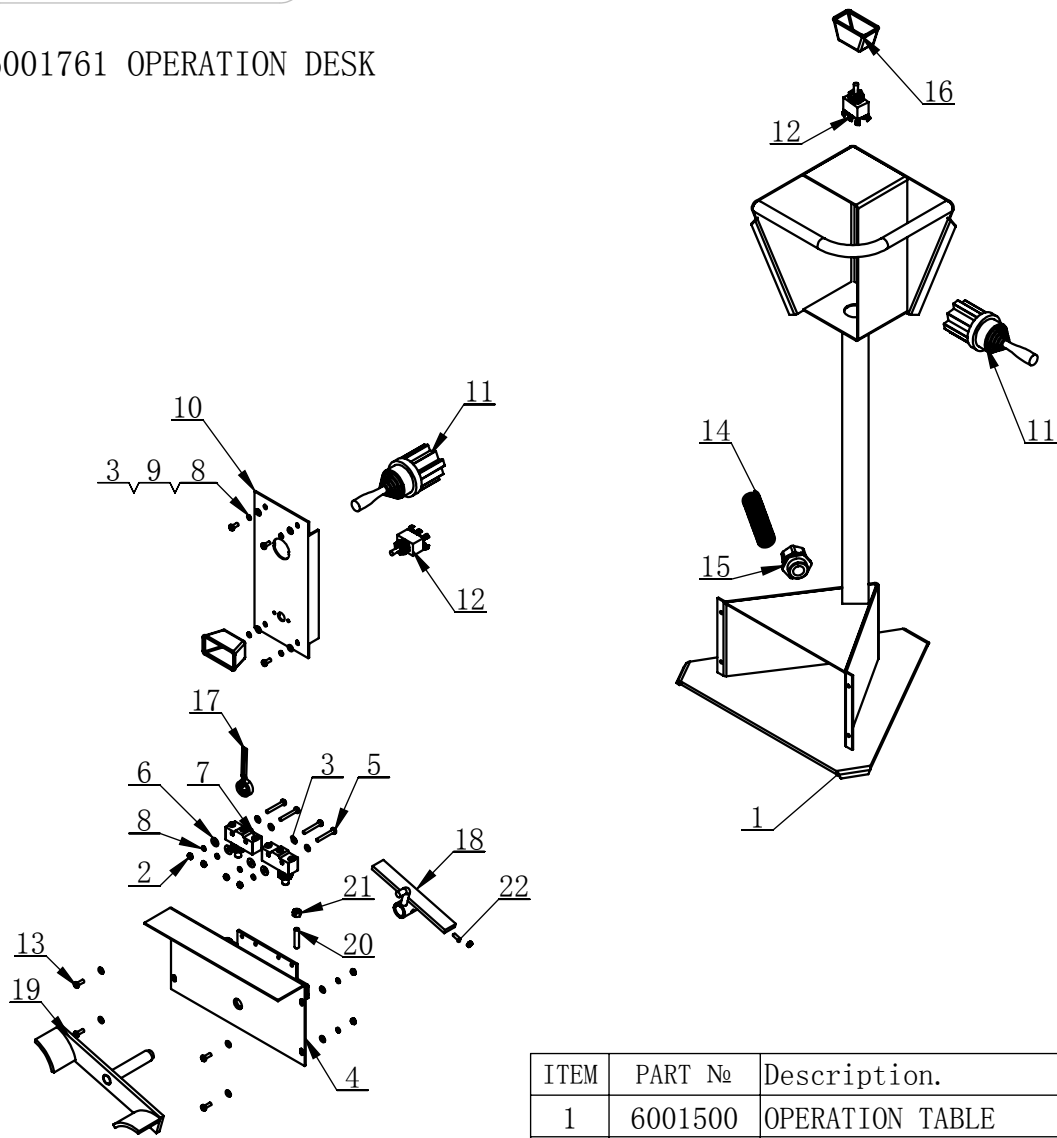
| ITEM | PART № | Description. | QTY |
|------|---------|----------------------------|-----|
| 1 | 6001703 | REAR COVER | 1 |
| 2 | 6001704 | SLEEVE-CYLNDR | 1 |
| 3 | 5500085 | EVDIM12_20 | 1 |
| 4 | 6001705 | FRONT COVER | 1 |
| 5 | 5010092 | NUT M8 | 1 |
| 6 | 6001706 | PISTON | 1 |
| 7 | 5000088 | SCREW M6X85 | 4 |
| 8 | 6001707 | SHAFT-CLYNDR | 1 |
| 9 | 5500087 | SEAL-ROD, CYLNDR 50X40X7.3 | 2 |
| 10 | 6001709 | WEAR-RESISTANCE BUSHINH | 1 |
| 11 | 5500086 | ELBOW 1/8 | 1 |
| 12 | 5500088 | RING 46.2X2.65 | 2 |
| 13 | 5006449 | WASHER 6 | 4 |
| 14 | 5506511 | ELBOW $\Phi 6$ 1/8 | 1 |

6001712 SUPPORT PLATE



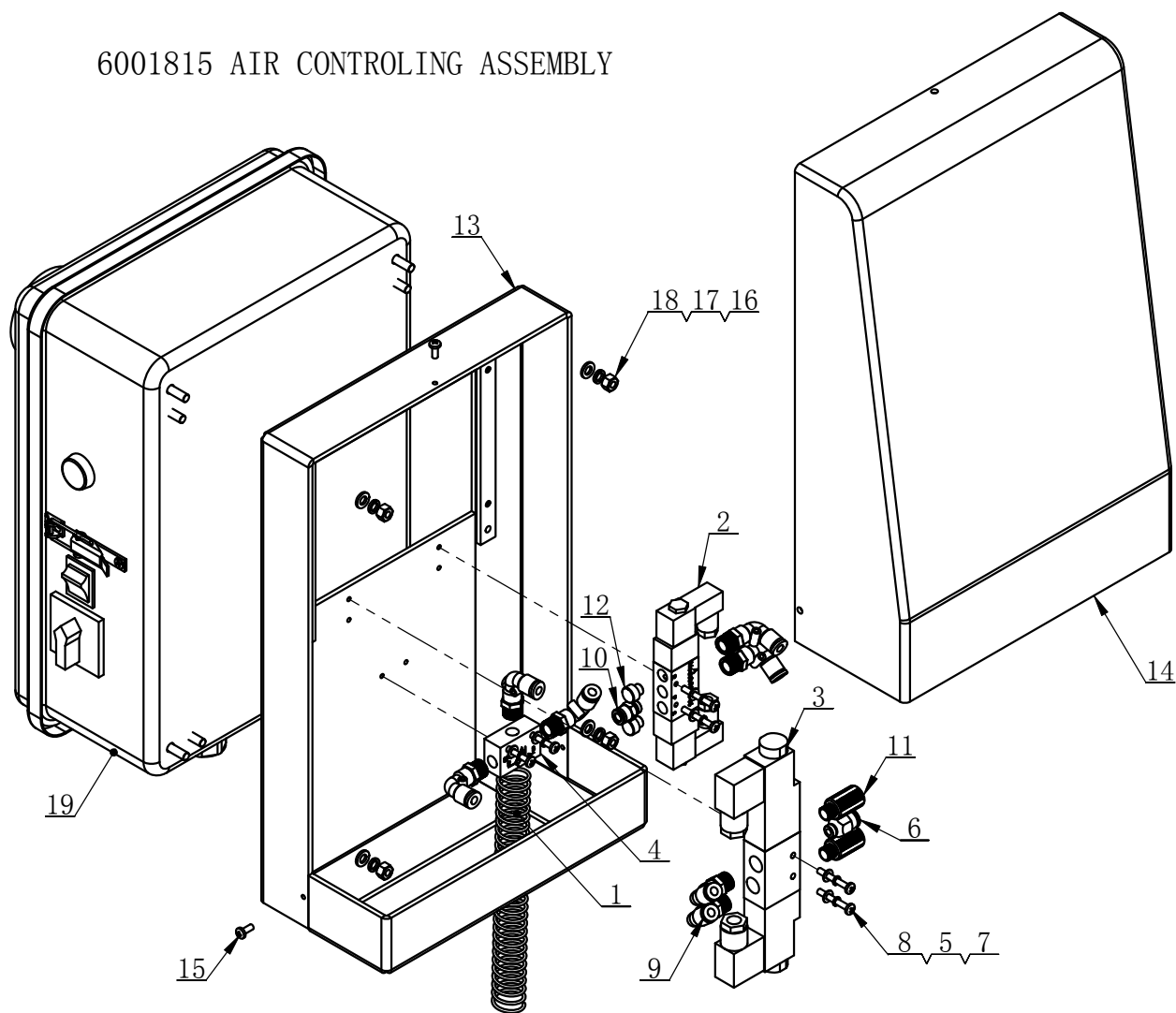
| ITEM | PART № | Description. | QTY |
|------|---------|----------------------------|-----|
| 1 | 5506523 | REAR COVER | 1 |
| 2 | 5006440 | BOLT M10X1.5X60 | 1 |
| 3 | 5010004 | NUT M10 | 1 |
| 4 | 6003215 | BOLT | 4 |
| 5 | 6003214 | SLEEVE-CYLNDR | 1 |
| 6 | 6003213 | FRONT COVER | 1 |
| 7 | 5000114 | WASHER 6 | 8 |
| 8 | 6003212 | WEAR-RESISTANCE BUSHINH | 1 |
| 9 | 5506522 | SEAL-ROD, CYLNDR 20X28X5.5 | 1 |
| 10 | 6003211 | PISTON | 1 |
| 11 | 6003210 | PISTON ROD | 1 |
| 12 | 5500087 | SEAL-ROD, CYLNDR 50X40X7.3 | 2 |
| 13 | 5004008 | NUT M6 | 8 |
| 14 | 5500086 | ELBOW 1/8 | 2 |
| 15 | 5506521 | RING 45X2.65 | 2 |
| 16 | 5010022 | NUT M12 | 1 |

6001761 OPERATION DESK



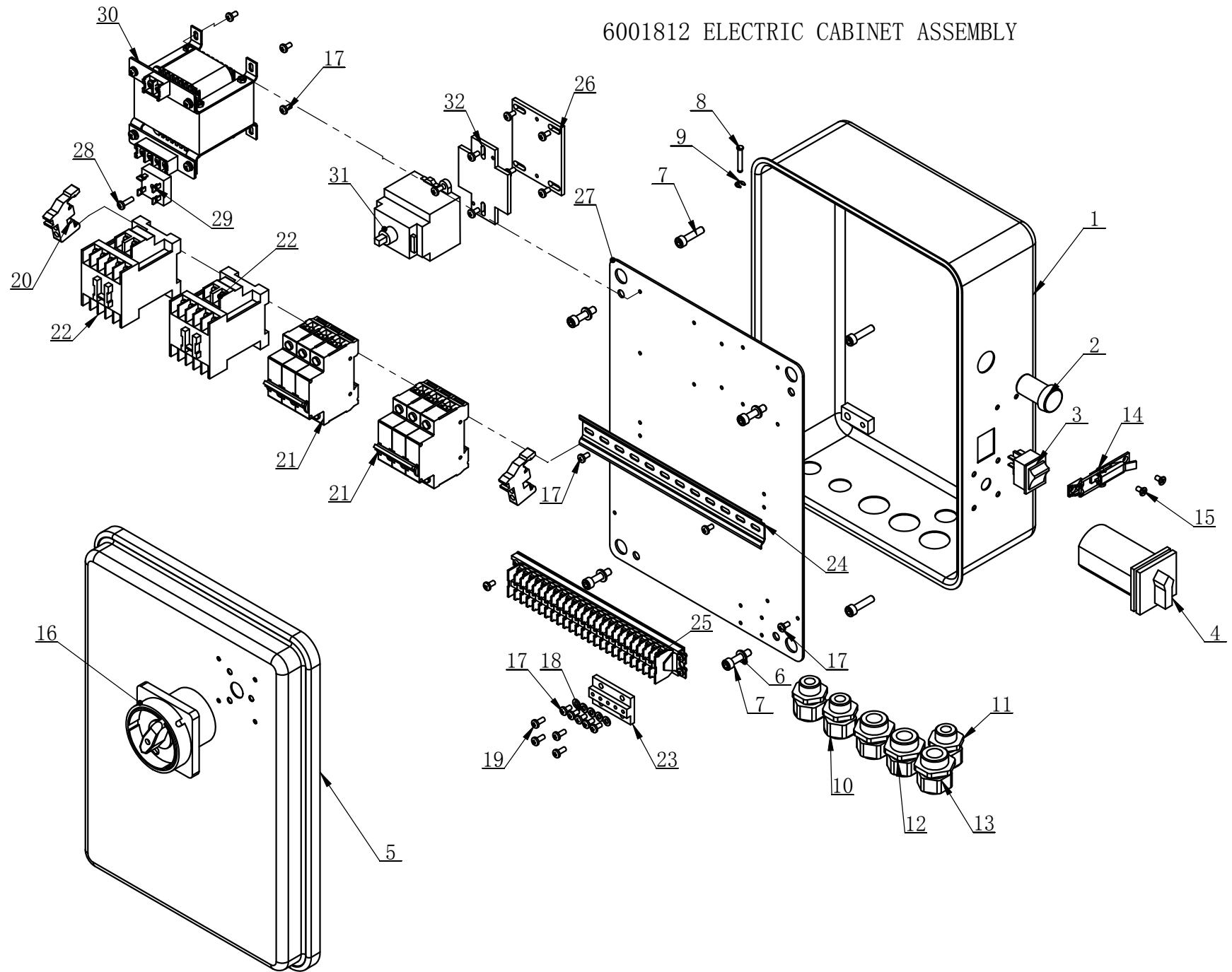
| ITEM | PART No | Description. | QTY |
|------|---------|-----------------------|-----|
| 1 | 6001500 | OPERATION TABLE | 1 |
| 2 | 5000063 | NUT M4 | 9 |
| 3 | 5010040 | WASHER 4 | 16 |
| 4 | 6001501 | BRACKET | 1 |
| 5 | 5000031 | SCREW M4X30 | 4 |
| 6 | 5004049 | WASHER 4 | 4 |
| 7 | 5500005 | MICROSWITCHE | 2 |
| 8 | 5000068 | WASHER 4 | 12 |
| 9 | 5000010 | SCREW M4X10 | 4 |
| 10 | 6001790 | COVER | 1 |
| 11 | 5500003 | CROSS 30 | 2 |
| 12 | 5000083 | TOGGLE SWITCH | 2 |
| 13 | 5008007 | SCREW M4X12 | 4 |
| 14 | 5500076 | SPRING | 1 |
| 15 | 5500062 | CABLE LOCK M28X1.5 | 1 |
| 16 | 5500063 | PROTECTIVE COVER | 2 |
| 17 | 5500100 | TORSION SPRING | 1 |
| 18 | 6001784 | SWITCH BUSHING | 1 |
| 19 | 6001160 | SHIFT DIRECTION SHAFT | 1 |
| 20 | 5004242 | SCREW M6X30 | 2 |
| 21 | 5004008 | NUT M6 | 2 |
| 22 | 5004243 | SCREW M4X12 | 1 |

6001815 AIR CONTROLLING ASSEMBLY



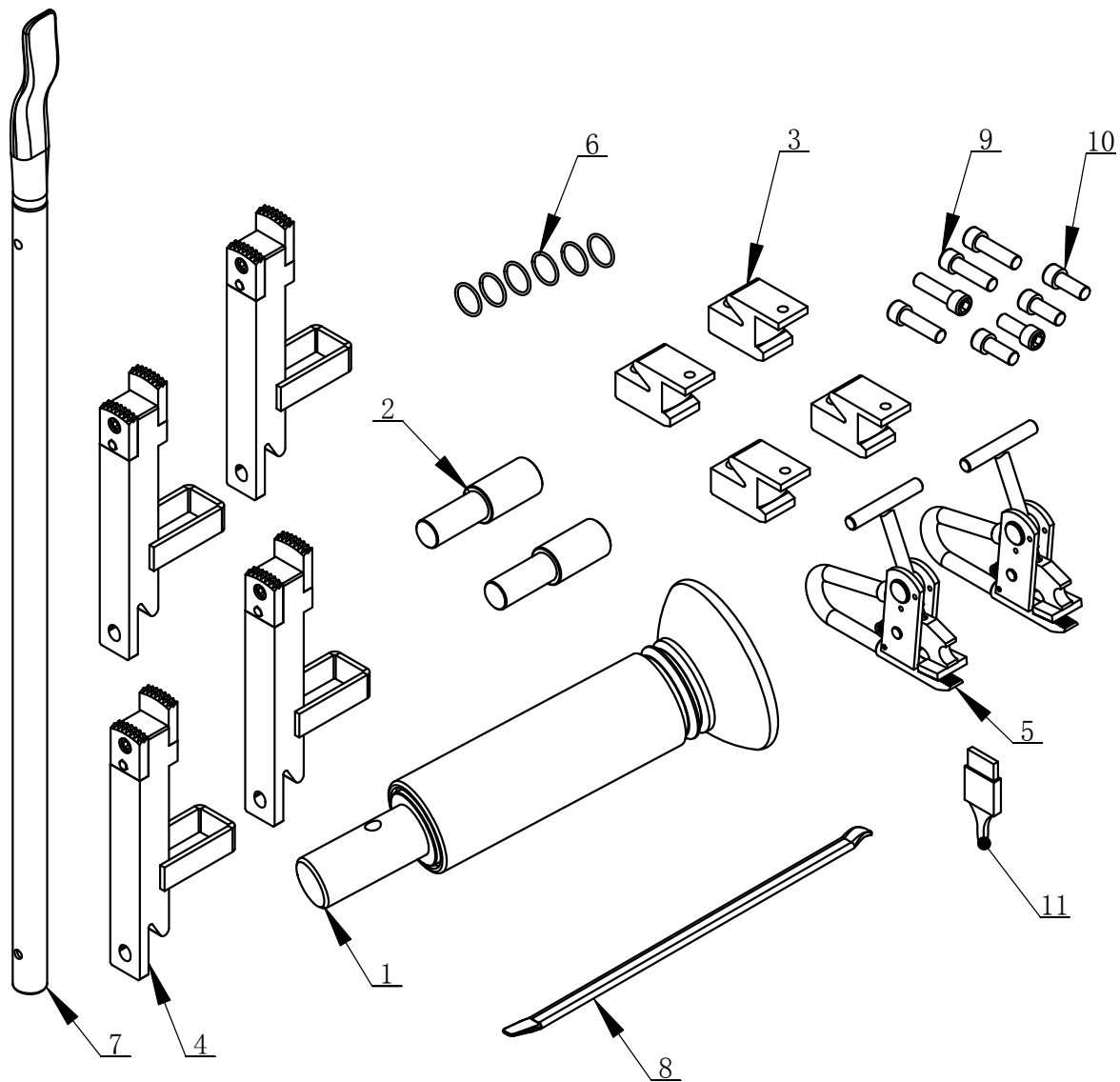
| ITEM | PART No | Description. | QTY |
|------|---------|--------------------------------------|-----|
| 1 | 6001817 | SPRING | 1 |
| 2 | 5500112 | SOLENOID VALVE 4V120-06 0.15~0.8MPa | 1 |
| 3 | 5500113 | SOLENOID VALVE 4V230C-08 0.15~0.8MPa | 1 |
| 4 | 5500114 | VALVE ST-01 | 1 |
| 5 | 5000068 | WASHER 4 | 6 |
| 6 | 5500115 | INSERT FITTING R1/4" | 1 |
| 7 | 5010040 | WASHER 4 | 6 |
| 8 | 5000031 | SCREW M4X30 | 6 |
| 9 | 5502028 | INSERT ELBOW R1/8" Φ6 | 7 |
| 10 | 5010060 | INSERT FITTING Φ6, R1/8" | 1 |
| 11 | 5502027 | SILENCER | 2 |
| 12 | 5502007 | SILENCER R1-8 | 2 |
| 13 | 5506517 | FIXTURE BRACKET | 1 |
| 14 | 5506516 | PROTECTIVE COVER | 1 |
| 15 | 5508030 | SCREW M4X10 | 3 |
| 16 | 5008063 | WASHER 6 | 4 |
| 17 | 5008122 | WASHER 6 | 4 |
| 18 | 5504008 | NUT M8 | 4 |
| 19 | 6001812 | ELECTRIC CABINET ASSEMBLY | 1 |

6001812 ELECTRIC CABINET ASSEMBLY



6001812 ELECTRIC CABINET ASSEMBLY

| ITEM | PART № | Description. | QTY |
|------|---------|----------------------------------|-----|
| 1 | 5901100 | ELECTRICAL CONTROL CABINET | 1 |
| 2 | 5500056 | INDICATING LIGHT AD16-22D | 1 |
| 3 | 5506414 | POWER SWITCH | 1 |
| 4 | 5500097 | TWO SPEED MOTOR PART ASSEMBLY | 1 |
| 5 | 5901200 | ELECTRICAL CABINET WELDING | 1 |
| 6 | 5008063 | WASHER 6 | 4 |
| 7 | 5006428 | SCREW M6X25 | 8 |
| 8 | 5901006 | LONG PIN | 2 |
| 9 | 5002068 | RING 4 | 2 |
| 10 | 5500058 | CABLE LOCK M18X1.5 | 2 |
| 11 | 5502089 | CABLE LOCK HEAD M20X1.5 | 1 |
| 12 | 5500062 | CABLE LOCK M27X1.5 PG21 | 2 |
| 13 | 5500062 | CABLE LOCK M28X1.5 | 1 |
| 14 | 5506415 | DOOR LOCK | 1 |
| 15 | 5509097 | SCREW M4X8 | 2 |
| 16 | 5500055 | COMBINED SWITCH ASSEMBLY | 1 |
| 17 | 5009007 | SCREW M4X8-8 | 21 |
| 18 | 5008069 | WASHER 4 | 5 |
| 19 | 5000010 | SCREW M4X10 | 4 |
| 20 | 5500053 | FIXTURE CLAMP | 2 |
| 21 | 5500052 | TRI-POLE CIRCUIT BREAKER | 2 |
| 22 | 5500051 | AC CONTACTOR S-P12 | 2 |
| 23 | 6001081 | GROUND TERMINATOR | 1 |
| 24 | 5500046 | LONG FIXED PLATE 35mm | 1 |
| 25 | 5500127 | LINE BANK ASSEMBLY | 1 |
| 26 | 6001836 | BOARD | 1 |
| 27 | 6001833 | ELECTRICAL BLOCK BOARD | 1 |
| 28 | 5000098 | SCREW M4X14 | 1 |
| 29 | 5500049 | RECTIFIER BRIDGE BLOCK KBPC-2510 | 1 |
| 30 | 5500042 | TRANSFORMER ASSEMBLY JBK3-100 | 1 |
| 31 | 5500126 | COMBINED SWITCH ASSEMBLY | 1 |
| 32 | 6001837 | SWITCH FIX UPPER PLATE | 1 |



| ITEM | PART № | Description. | QTY |
|------|---------|---------------------------------|-----|
| 1 | 5506520 | PRESS ROLLER (OPTIONAL) | 1 |
| 2 | 6001770 | PIN (OPTIONAL) | 2 |
| 3 | 6001698 | NYLON PROTECTIVE JAW (OPTIONAL) | 4 |
| 4 | 6003206 | EXTENSION JAW (OPTIONAL) | 4 |
| 5 | 6001157 | CALIPER | 2 |
| 6 | 5006442 | RING 30X2.65 | 6 |
| 7 | 5506519 | CROWBAR | 1 |
| 8 | 5500038 | 24INCH CROWBAR | 1 |
| 9 | 5006443 | SCREW M14X50 (OPTIONAL) | 4 |
| 10 | 5006444 | SCREW M14X35 (OPTIONAL) | 4 |
| 11 | 5506518 | BRUSH | 1 |