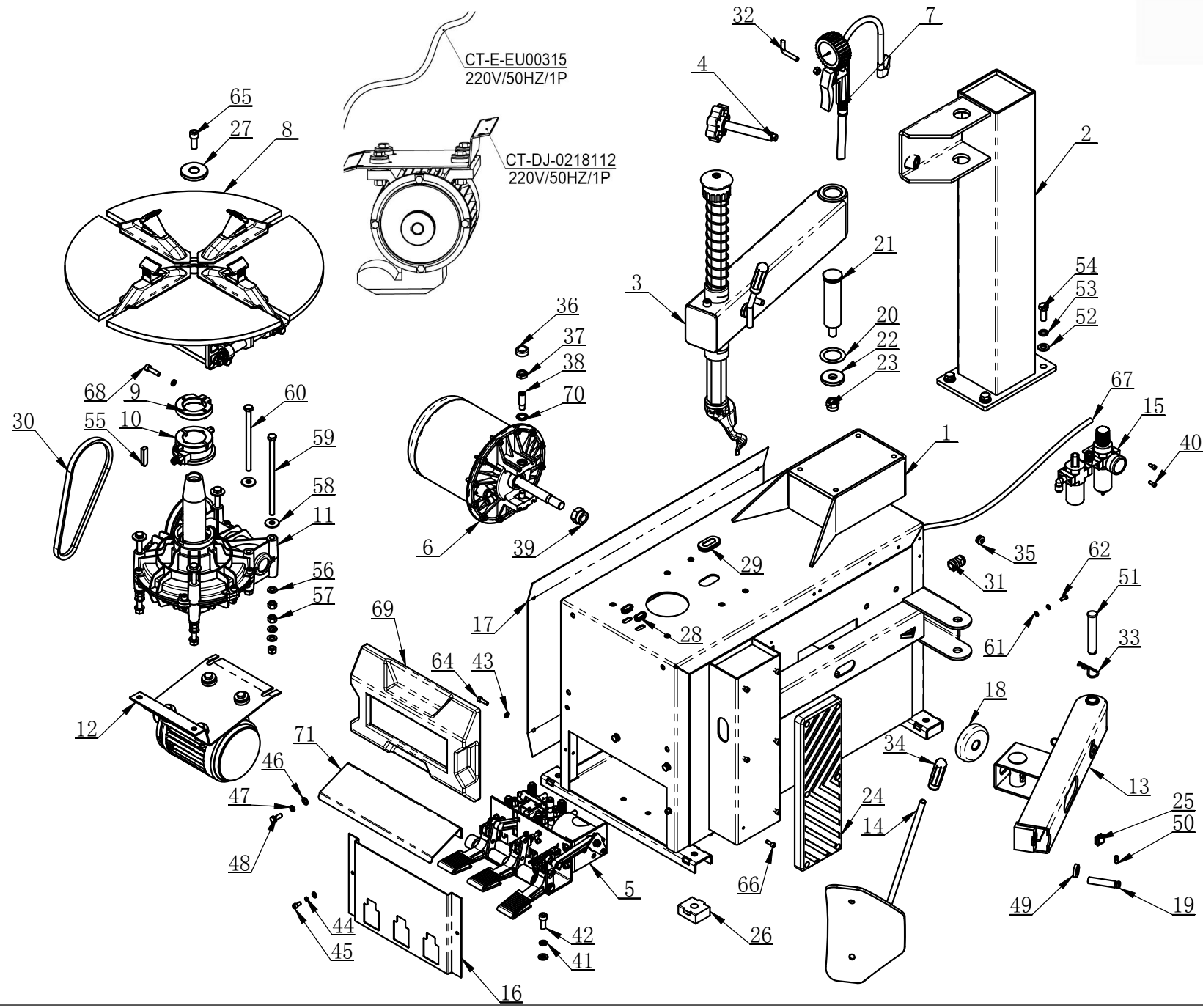


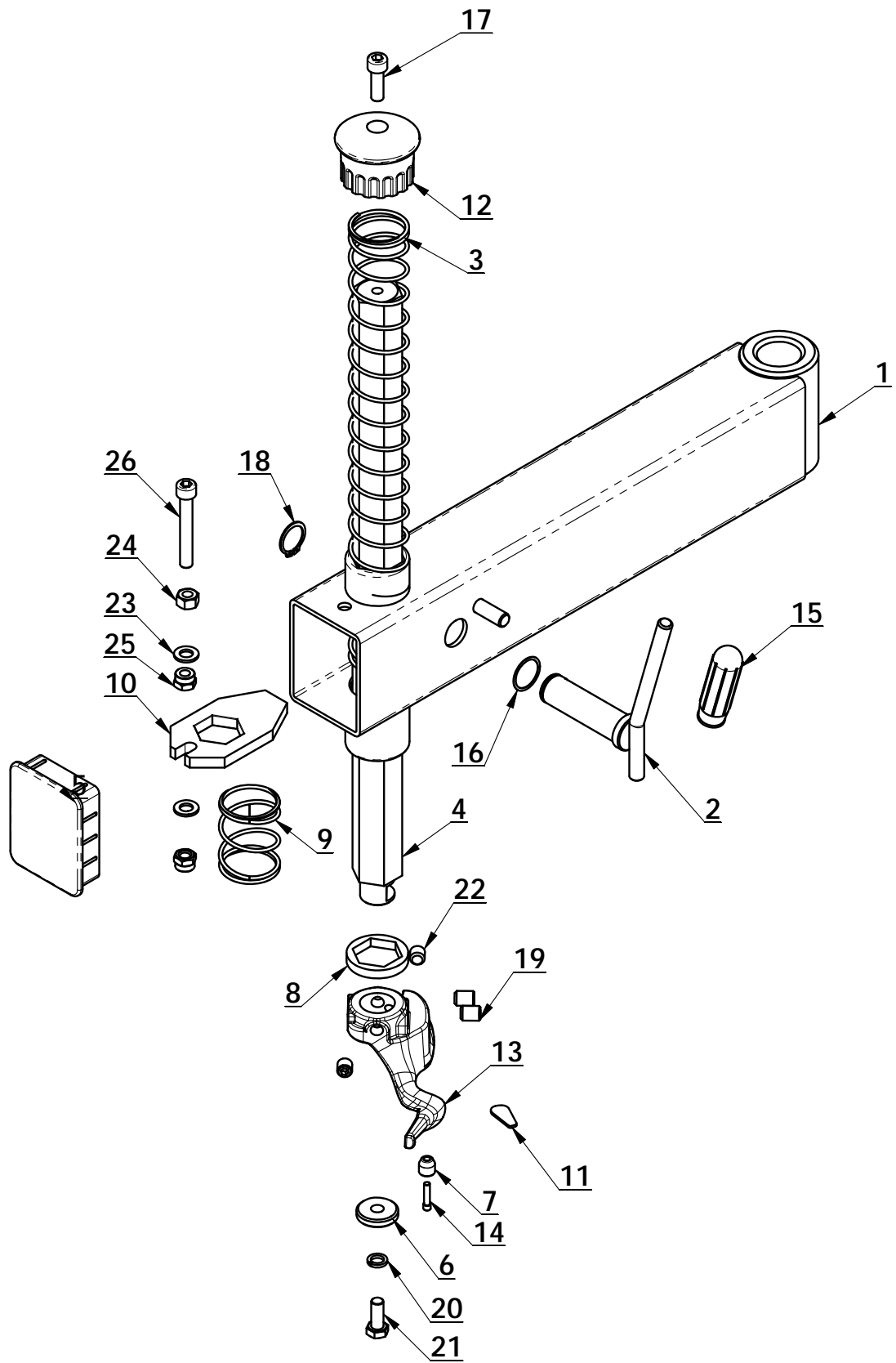
**Станок**  
**ШИНОМОНТАЖНЫЙ**  
**V-521**

**Детализировка**

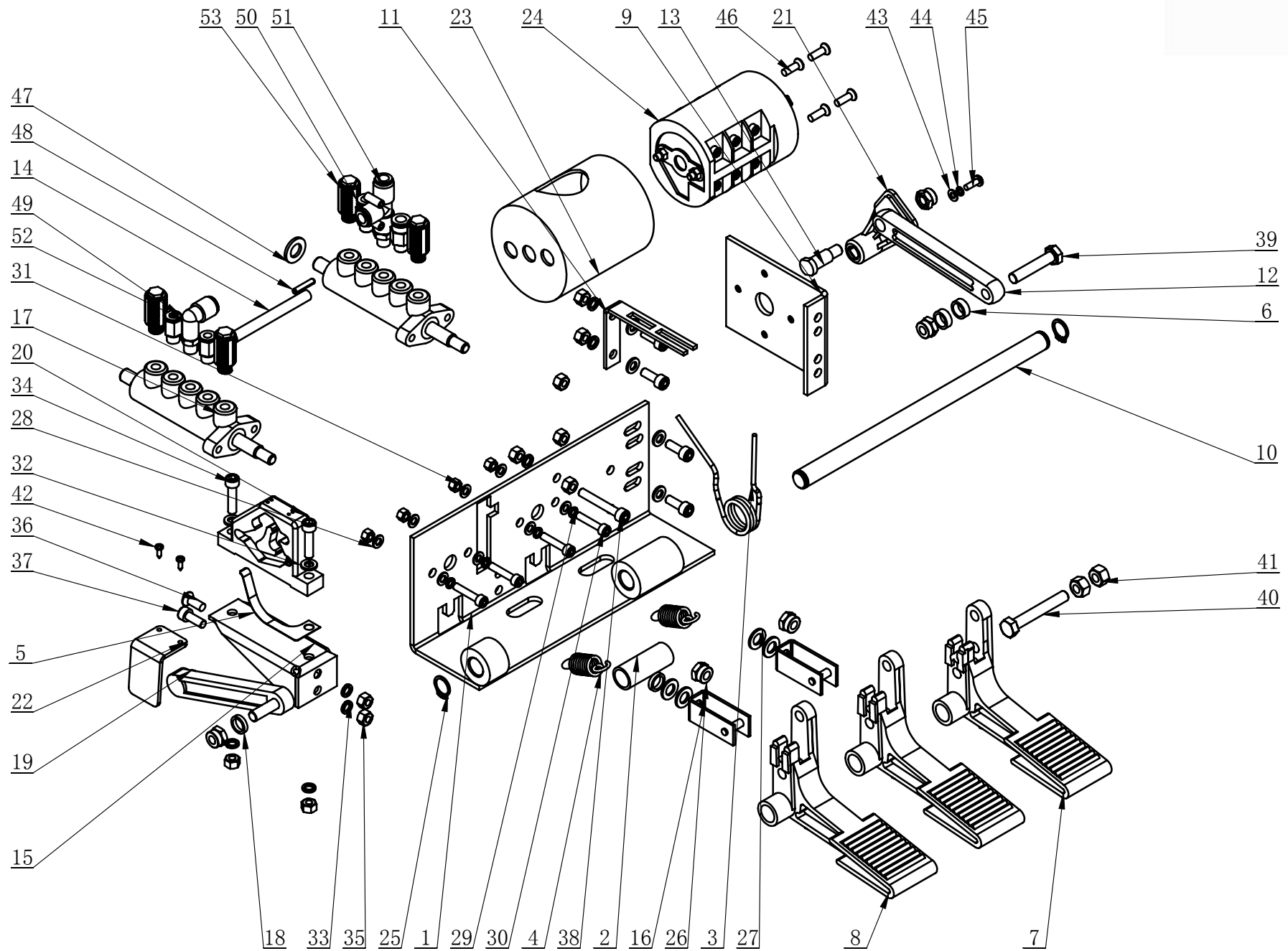


ITEM	PART. No	DESCRIPTION.	QT. Y
1	C-15-1100000	BODY	1
2	C-01-1200000	VERTICAL COLUMN	1
3	C-01-1300000	SWING ARM	1
4	C-54-1400000	HANDLE WHEEL	1
5	CT-D-2100000	PEDAL ASSEMBLY	1
6	CT-LS-1400000	BEAD BREAKER CYLINDER ASSEMBLY	1
7	CT-P-6000000	INFLATING GUN ASSY	1
8	CT-Y-0100000	TURNTABLE ASSEMBLY	1
9	CT-Q-6000000	CLAMP RING	1
10	CT-Q-1000000	ROTATING UNION	1
11	CT-J-3100000	GEARBOX ASSEMBLY	1
12	CT-DJ-0334122	MOTOR	1
13	CT-B-4000000	BEAD BREAKING ARM ASSEMBLY	1
14	CT-C-3100000	BEAD BREAKER BLADE	1
15	CT-F-3111100	AIR REGULATOR ASSEMBLY	1
16	C-14-1000002	PROTECTIVE COVER	1
17	C-14-1000001	SIDE PANEL	1
18	C-54-1000016	WESHER	1
19	C-7C-1000007	ROTATION SPINDLE	1
20	C-54-1000002	ADJUSTING WASHER	2
21	C-42-1000002	ROCKER VERTICAL SHAFT	1
22	C-54-1000009	SHAFT WASHER	1
23	GB889. 1-M16	1-TYPE PREVAILING TORQUE TYPE HEXAGON LOCK NUT	1
24	C-7C-1000008	RIM SUPPORT	1
25	C-54-1000015	STOP-UP	1
26	C-54-1000005	RUBBER FOOT	4
27	C-54-1000012	PRESS COVER	1
28	C-54-1000023	PLUG A	2
29	C-54-1000028	PLUG B	1
30	CT-DJ-0000007	BELT	1
31	C-54-1000017	CABLE CONNECTOR	1
32	C-71-1000024	INFLATING GUN HOOK	1
33	C-01-100000B	CIRCLIP	1
34	TC-40-1200022	RUBBER COVER	1
35	C-71-1000027	HELPER RUBBE PLUG	2
36	C-54-1000013	SEALED COVER	1
37	GB6172. 1-M14	HEXANGULAR THIN NUT	2
38	C-54-1000010	SCREWS M14X42	2
39	GB889. 1-M18X1. 5	PRRVAILING TORQUE M18X1. 5	1
40	GB70. 1-M5×12	INNER HEXA CYLINDRICAL SCREW	2

ITEM	PART. No	DESCRIPTION.	QT. Y
41	GB93-10	STANDARD SPRING WASHER	2
42	GB70. 1-M10×25	INNER HEXA CYLINDRICAL SCREW	2
43	GB95-6	FLAT WASHER	6
44	GB93-6	STANDARD SPRING WASHER	2
45	GB70. 1-M6×12	INNER HEXA CYLINDRICAL SCREW	2
46	GB95-8	FLAT WASHER	3
47	GB93-8	STANDARD SPRING WASHER	4
48	GB5781-M8×20	HEXANGULAR BOLT	3
49	GB955-14	WAVE-FORM SPRING WASHER	1
50	GB85-M6×12	SQUARE HEAD CYLINDRICAL TERMINUS SET SCREW	1
51	GB882-18×100	PIN SHAFT	1
52	GB95-12	FLAT WASHER	4
53	GB93-12	STANDARD SPRING WASHER	4
54	GB5783-M12×30	HEXANGULAR BOLT	4
55	GB1096-C12×8×45	COMMON FLAT KEY	1
56	GB95-10	FLAT WASHER	16
57	GB41-M10	HEXANGULAR NUT	14
58	GB96. 2-10	large washer C grade	6
59	GB5781-M10X200	BOLT M10X200	4
60	GB5781-M10×160	HEXANGULAR BOLT	2
61	GB95-5	FLAT WASHER	2
62	GB5781-M5×12	HEXANGULAR BOLT	1
63	GB41-M8	HEXANGULAR NUT	1
64	GB70. 1-M6×20	INNER HEXA CYLINDRICAL SCREW	4
65	GB70. 1-M12×30	INNER HEXA CYLINDRICAL SCREW	1
66	GB70. 1-M6×16	SCREW	6
67	CT-E-EU00410	CABLE	1
68	GB70. 1-M8×30	INNER HEXA CYLINDRICAL SCREW	1
69	C-01-1000004	THE FACE	1
70	GB861. 1-14	INNER TOOTH LOCK WAHSER	2
71	C-14-1000003	PROTECTIVE COVER	1



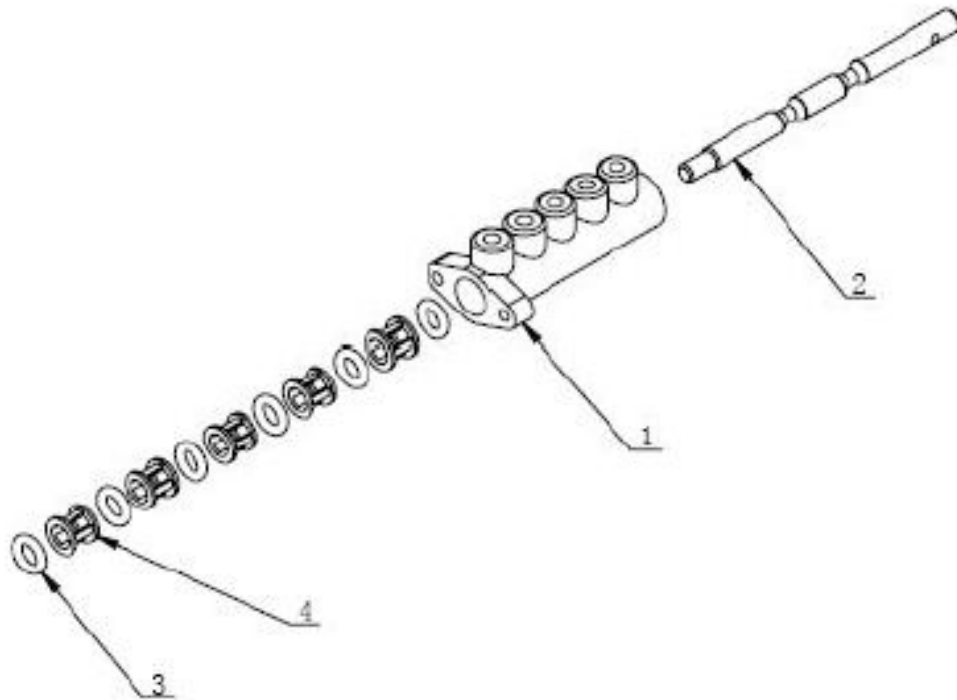
ITEM	PART. No	DESCRIPTION.	QT. Y
1	C-01-1310000	SWING ARM	1
2	C-54-1320000	LOCK HANDLE	1
3	C-01-1300001	VERTICAL SHAFT SPRING	1
4	C-01-1300002	HEXAGON SHAFT	1
5	C-01-1300003	DECORATING COVER	1
6	C-54-1300008	PRESS WASHER	1
7	C-54-1300009	ROLLER	1
8	C-54-1300007	SHOCK ABSORBER WASHER	1
9	C-01-1300004	SPRING	1
10	C-01-1300005	HEXAGON LOCK PLATE	1
11	C-54-8000007	PLASTIC COVER	1
12	C-71-1300006	VERTICAL SHAFT COVER	1
13	C-54-1300004	DEMOUNTING HEAD	1
14	C-54-1300006	ROLLER BOLT	1
15	TC-40-1200022	RUBBER COVER	1
16	C-54-1300013	ADJUSTING WASHER	1
17	GB70. 1-M10×30	INNER HEXA CYLINDRICAL SCREW	1
18	GB894. 1-25	SHAFT ELATIC BIG RETAINING RING A-TYPE	1
19	GB77-M12×16	INNER HEXA FLAT TERMINUS SET SCREW	2
20	GB93-10	STANDARD SPRING WASHER	1
21	GB5783-M10×25	HEXANGULAR BOLT	1
22	GB77-M12×12	INNER HEXA FLAT TERMINUS SET SCREW	2
23	GB95-10	FLAT WASHER	2
24	六角螺母 C级 M10	HEXANGULAR NUT	1
25	GB889. 1-M10	1-TYPE PREVAILING TORQUE TYPE HEXAGON LOCK NUT	2
26	GB70. 1-M10×70	INNER HEXA CYLINDRICAL SCREW	1



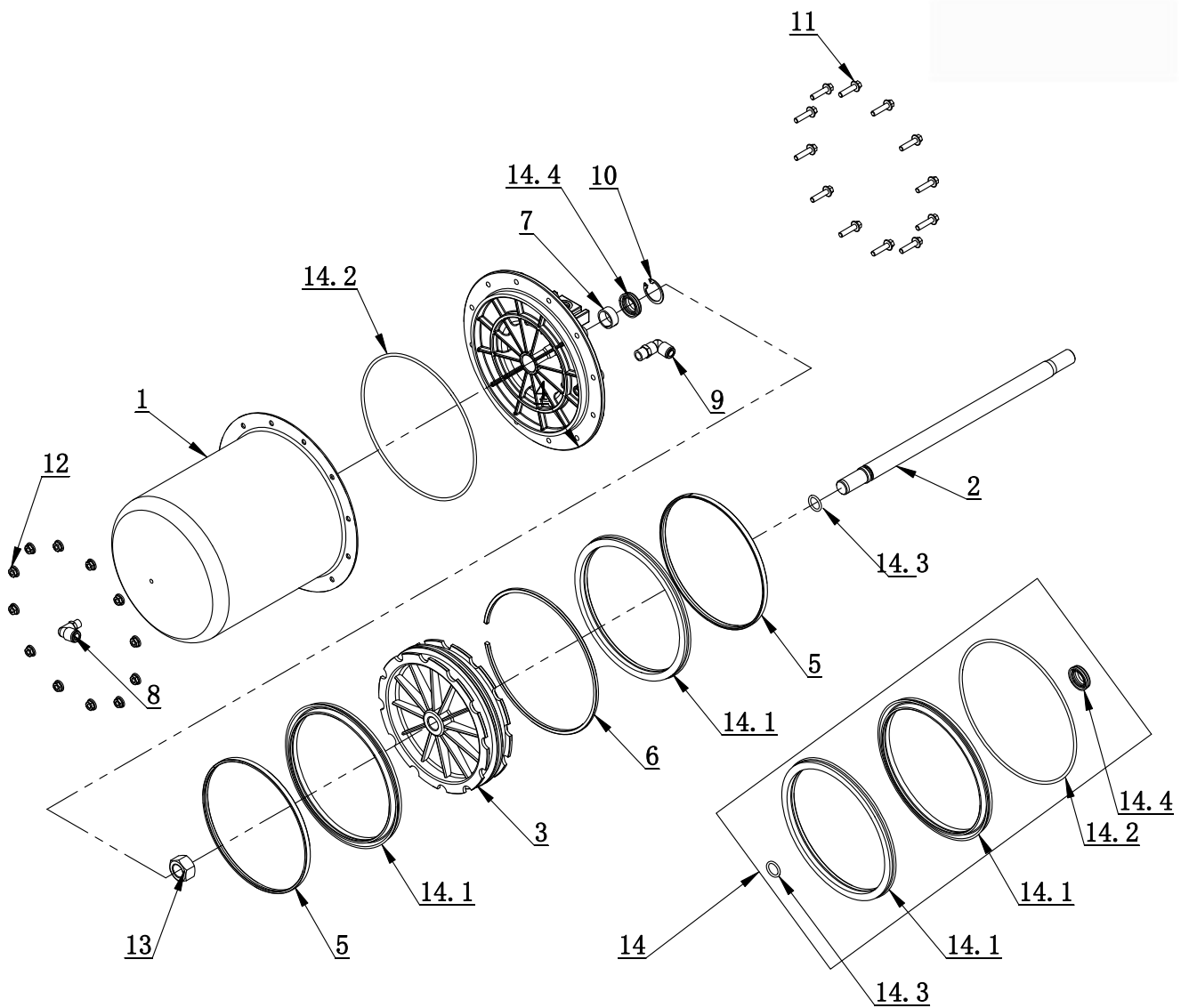
ITEM	PART. No	DESCRIPTION.	QT. Y
1	CT-D-2110000	PEDAL SUPPORT WELDING	1
2	CT-D-2100001	SPACER	1
3	CT-D-2100002	TORSION SPRING	1
4	CT-D-2100003	SPRING	2
5	CT-D-2100004	SPRING PLATE	1
6	CT-D-2100005	SPACER	2
7	CT-D-2100006	PEDAL	1
8	CT-D-2100007	PEDAL	2
9	CT-D-2100008	SWITCH SUPPORT	1
10	CT-D-2100009	BOTTOM SHAFT	1
11	CT-D-2100010	TORSION SPRING BRACKET	1
12	CT-D-2100011	CONNECTION ROD	1
13	CT-D-2100012	ROTATION SHAFT	1
14	CT-D-2100013	HOSE	1
15	CT-D-2120000	CAM BRACKET WELDING	1
16	CT-D-2130000	BRACKET RIVETING	2
17	CT-D-2140000	VALVE	2
18	CT-D-1100016	SPACER	2
19	CT-D-1100008	CAM CONNECTING ROD	1
20	CT-D-1100009	CAM	1
21	CT-D-1100010	REVERSE LEVER	1
22	CT-D-1100011	CAM BAFFLE PLATE	1
23	CT-D-1100014	SWITCH COVER	1
24	CT-D-1100018	SWITCH	1
25	GB894. 1-14	SHAFT ELATIC BIG RETAINING RING A-TYPE	2
26	GB889. 1-M8	1-TYPE PREVAILING TORQUE TYPE HEXAGON LOCK NUT	5
27	GB95-8	FLAT WASHER	4
28	GB95-5	FLAT WASHER	8
29	GB93-5	STANDARD SPRING WASHER	4
30	GB70. 1-M5×25	INNER HEXA CYLINDRICAL SCREW	4
31	GB41-M5	HEXANGULAR NUT	4
32	GB95-6	FLAT WASHER	6
33	GB93-6	STANDARD SPRING WASHER	7
34	GB70. 1-M6×25	INNER HEXA CYLINDRICAL SCREW	2
35	GB41-M6	HEXANGULAR NUT	10
36	GB819. 1-M6×16-H	CROSS COUNTERSUNK SCREW STEEL 4. 8 GRADE	1
37	GB70. 1-M6×16	INNER HEXA CYLINDRICAL SCREW	5
38	GB70. 1-M6×40	INNER HEXA CYLINDRICAL SCREW	1
39	GB5781-M8×40	HEXANGULAR BOLT	1
40	GB5782-M8×55	HEXANGULAR BOLT	1



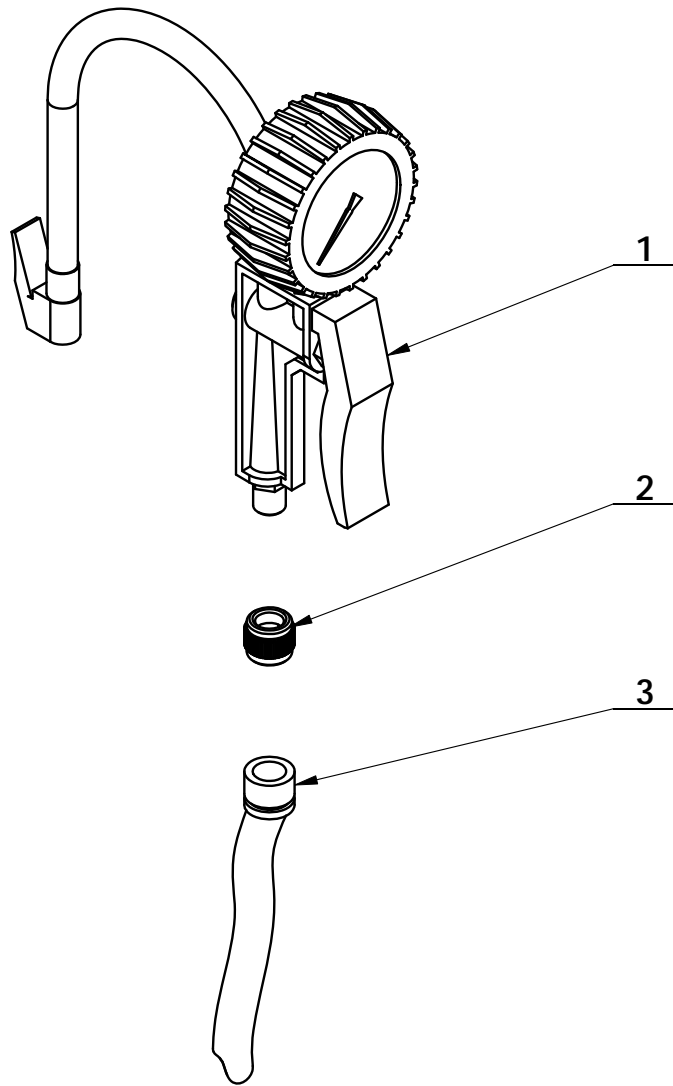
ITEM	PART. No	DESCRIPTION.	QT. Y
41	GB41-M8	HEXANGULAR NUT	2
42	GB845-ST2.9×9.5 H C	CROSS PANHEAD TAPPING SCREW	2
43	GB95-4	FLAT WASHER	1
44	GB93-4	STANDARD SPRING WASHER	1
45	GB818-M4×12-H	CROSS PANHEAD SCREW	1
46	GB819.1-M5×16-H	CROSS COUNTERSUNK SCREW STEEL 4.8 GRADE	4
47	GB95-10	FLAT WASHER	1
48	GB879.1-4×20	ELASTIC CYLINDRICAL PIN, HEAVY	1
49	FPC 6-01	MALE STRAIGHT	2
50	FPC 8-01	MALE STRAIGHT	2
51	FPD 8-01	MALE RUN TEE	1
52	FPL 8-01	INSERT ELBOW Φ8, R1/8	1
53	FSK 01	PLASTIC PARTICLE SILENCER	4



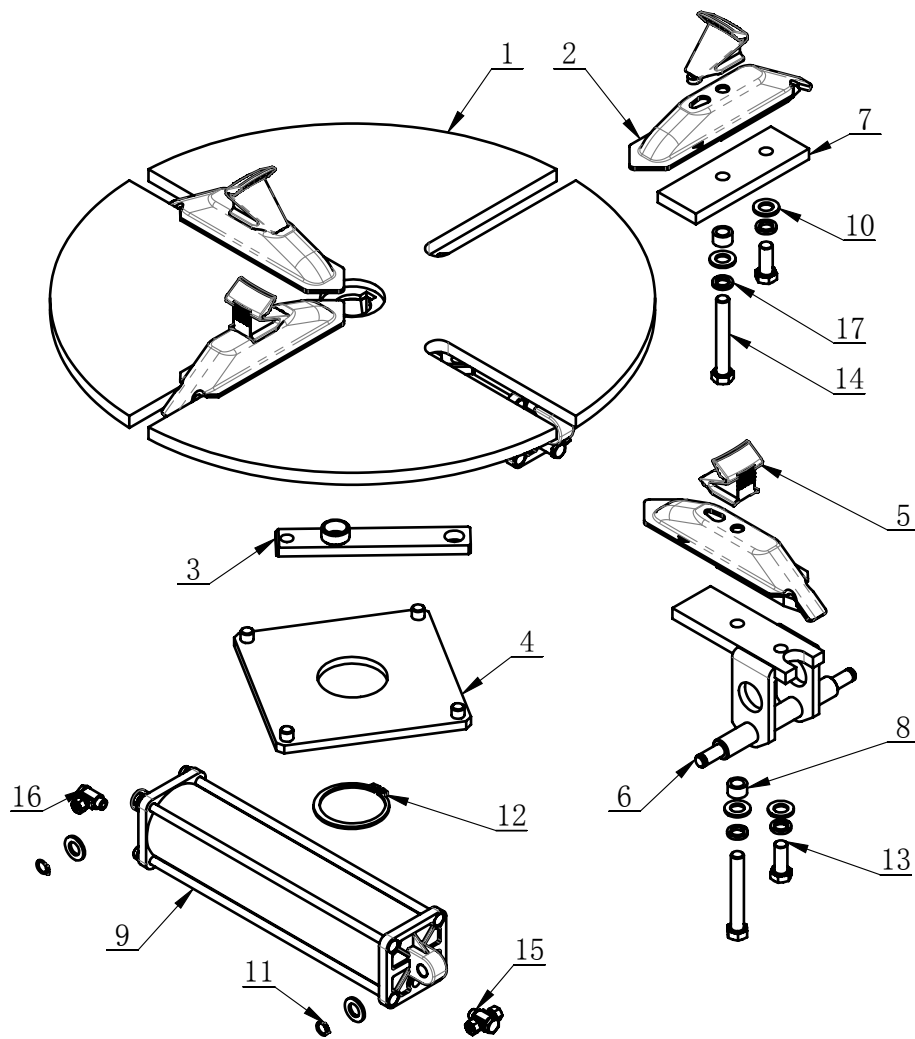
ITEM	PART. No	DESCRIPTION.	QT. Y
1	CT-D-2140002	VALVE BODY	1
2	CT-D-2140001	VALVE STEM	1
3	CT-D-1110003	O-RING	6
4	CT-D-1110004	SPACER	5



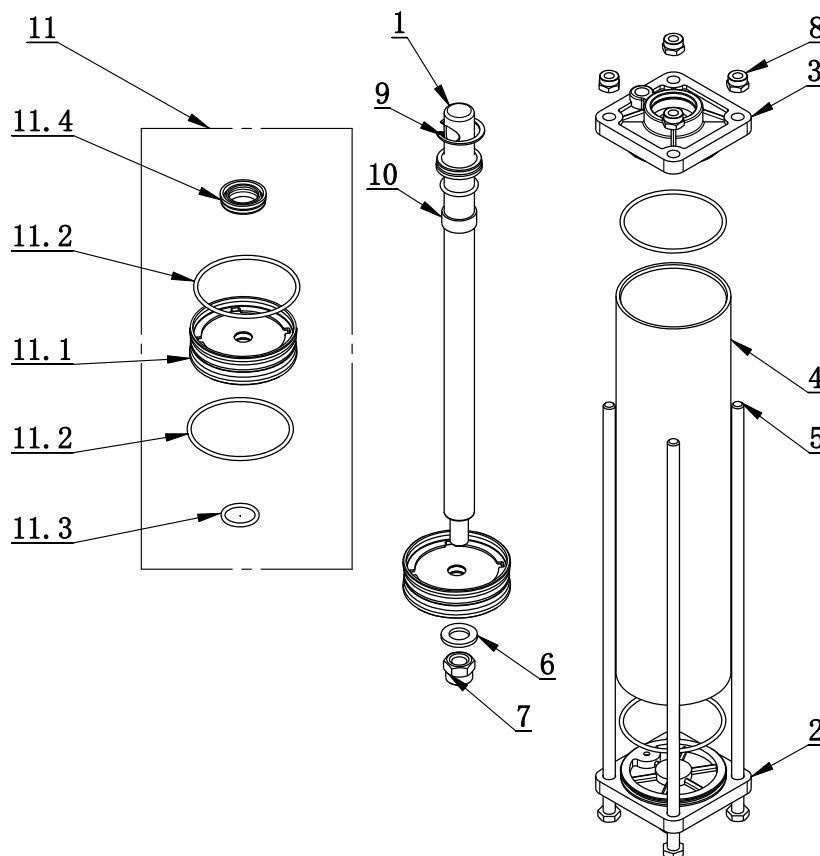
ITEM	PART. No	DESCRIPTION.	QT. Y
1	CT-LS-1100002	CYLINDER BODY	1
2	CT-LS-1100001	CYLINDER PISTON ROD	1
3	CT-LS-1100003	PISTON	1
4	CT-LS-1100004	CYLINDER COVER	1
5	CT-LS-1100006	CLAMP RING	2
6	CT-LS-1100007	SUPPORT RING	1
7	CT-LS-1100008	GUIDER SPACER	1
8	FPL 8-01	INSERT ELBOW $\Phi 8$ , R1/8	1
9	FPL 8-02	INSERT ELBOW $\Phi 8$ , R1/4	1
10	GB893. 2-30	RETAINING RING	1
11	GB16674. 1-M6 $\times$ 25	HEXA FLANGE BOLT	12
12	GB6177. 1-M6	NUT	12
13	GB6171- M18 $\times$ 1.5	NUT	1
14	CT-LS-1110000	CYCLINDER SEALING PARTS ASSEMBLY	1
14.1	CT-LS-1100009	Y-RING	2
14.2	GB3452. 1-185 $\times$ 3.55-G	O-RING G TYPE	1
14.3	GB3452. 1-15.5 $\times$ 2.65-G	HYDRAULIC-PNEUMATIC RUBBER O-RING G TYPE	1
14.4	CT-Y-0160007	SEAL-ROD, CYLNR	1



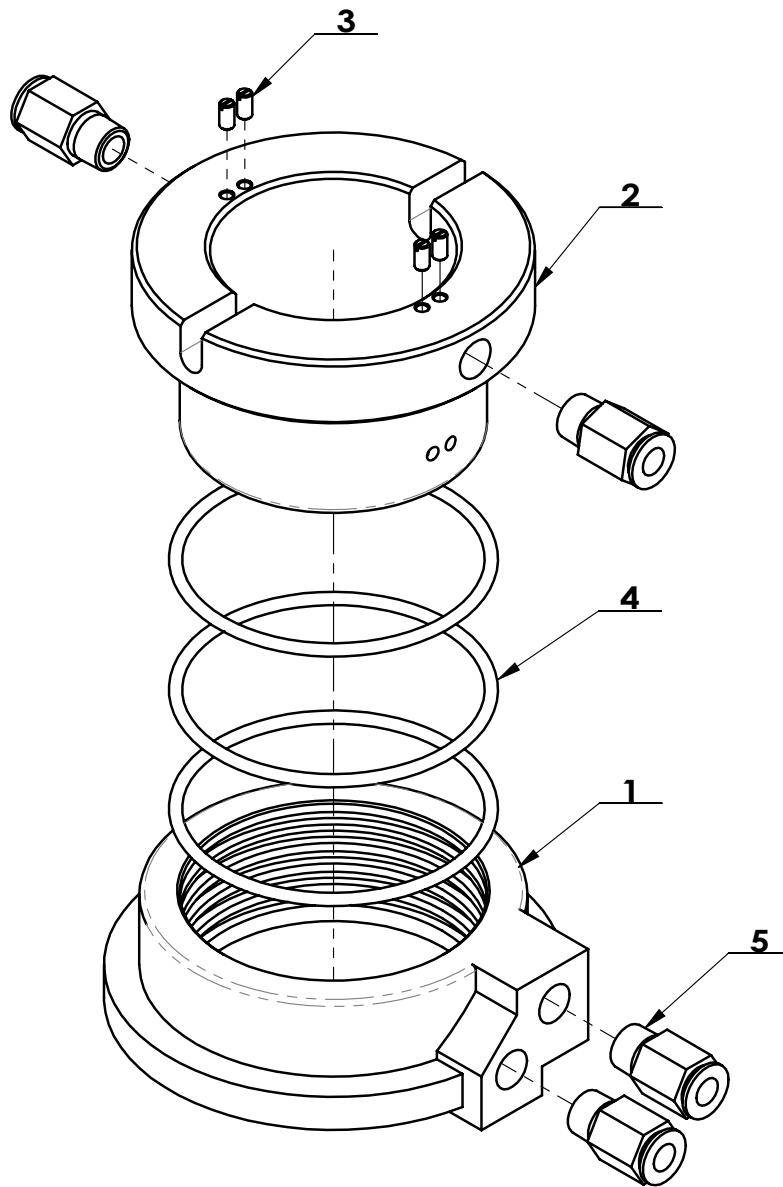
ITEM	PART. No	DESCRIPTION.	QT. Y
1	CT-P-6000001	INFLATING GUN	1
2	C-01-1500004	OPEN NUT	1
3	CT-P-1000002	INFLATION HOSE	1



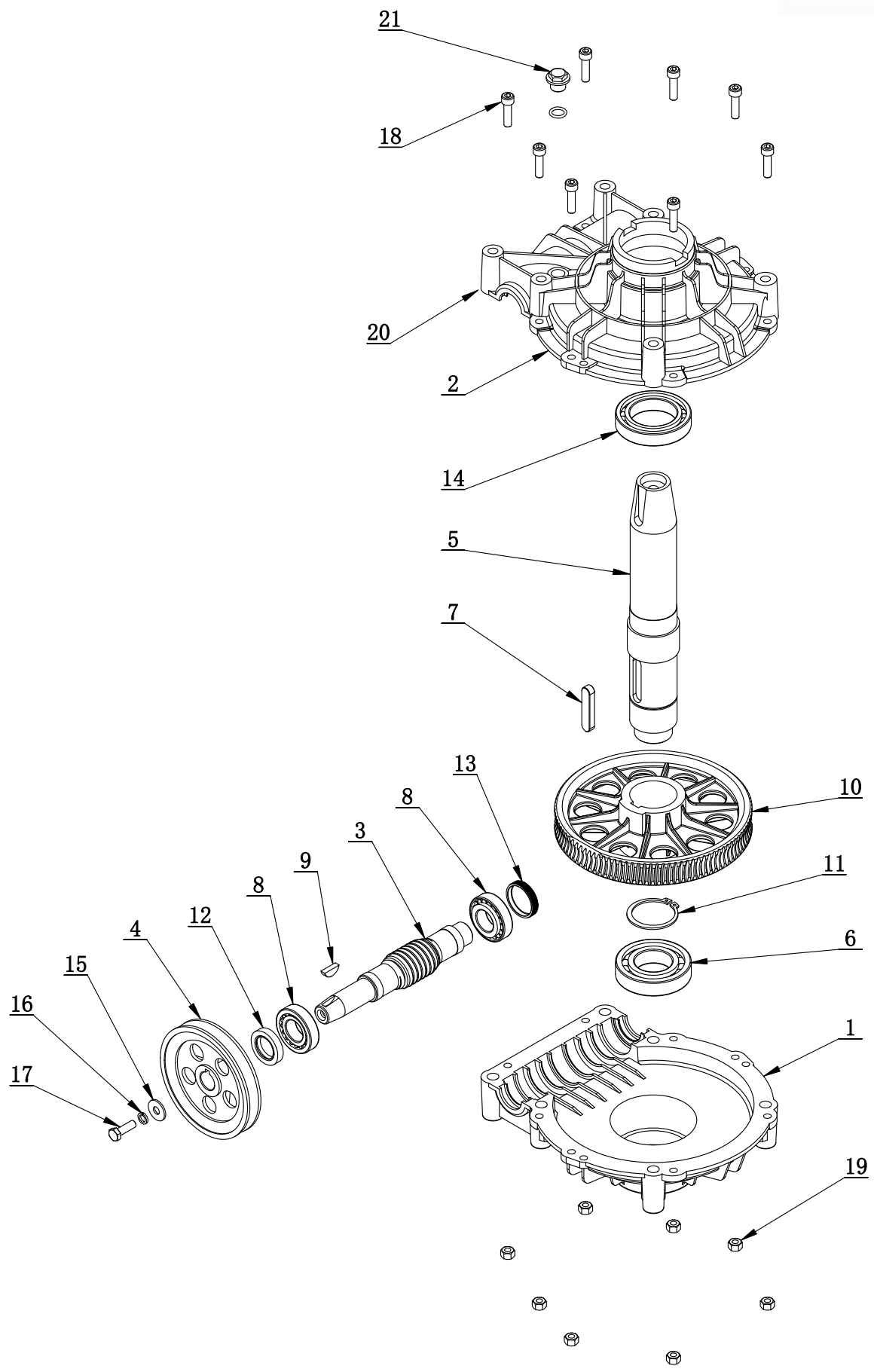
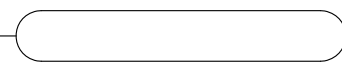
ITEM	PART. No	DESCRIPTION.	QT. Y
1	CT-Y-0110000	TURNTABLE	1
2	CT-Y-0120000	SLIDE COVER	4
3	CT-Y-0140000	CONNECTION PLATE	4
4	CT-Y-0150000	SQUARE TURNTABLE	1
5	CT-Y-0100002	CLAMP	4
6	CT-Y-0130000	CYLINDER BRACKET	2
7	CT-Y-0100004	PRESS PLATE	2
8	CT-Y-0100003	SPACER	4
9	CT-Y-0160000	CYLINDER ASSEMBLY	2
10	GB95-12	FLAT WASHER	12
11	GB894. 1-12	SHAFT ELATIC BIG RETAINING RING A-TYPE	4
12	GB894. 1-65	SHAFT ELATIC BIG RETAINING RING A-TYPE	1
13	GB5783-M12×30-W8. 8	HEXANGULAR BOLT	4
14	GB5782-M12×83-W8. 8	HEXANGULAR BOLT	4
15	CT-Y-0100009	HINGE ELBOW Φ6	2
16	CT-Y-0100007	HINGE ELBOW Φ6 R1/8"	2
17	GB93-12	STANDARD SPRING WASHER	8



ITEM	PART. No	DESCRIPTION.	QT. Y
1	CT-Y-0160001	SHAFT-CYLNR	1
2	CT-Y-0160003	REAR COVER	1
3	CT-Y-0160002	FRONT COVER	1
4	CT-Y-0160006	SLEEVE-CYLNR 70	1
5	CT-Y-0160004	BOLT	4
6	GB95-12	FLAT WASHER	1
7	GB889. 1-M12	1-TYPE PREVAILING TORQUE TYPE HEXAGON LOCK NUT	1
8	GB889. 1-M8	1-TYPE PREVAILING TORQUE TYPE HEXAGON LOCK NUT	4
9	GB893. 1-30	ELASTIC RETAINING RING A-TYPE	1
10	JH1 2010	BEARING-SLIDE	1
11	CT-Y-1121000	CYLINDER SEALING PARTS ASSEMBLY	1
11.1	CT-Y-0161000	PISTON-W/WSHR, ASSY	1
11.2	GB3452. 1-65×2. 65	HYDRAULIC-PNEUMATIC RUBBER O-RING G TYPE	2
11.3	GB3452. 1-20×2. 65	HYDRAULIC-PNEUMATIC RUBBER O-RING G TYPE	1
11.4	CT-Y-0160007	SEAL-ROD, CYLNR	1

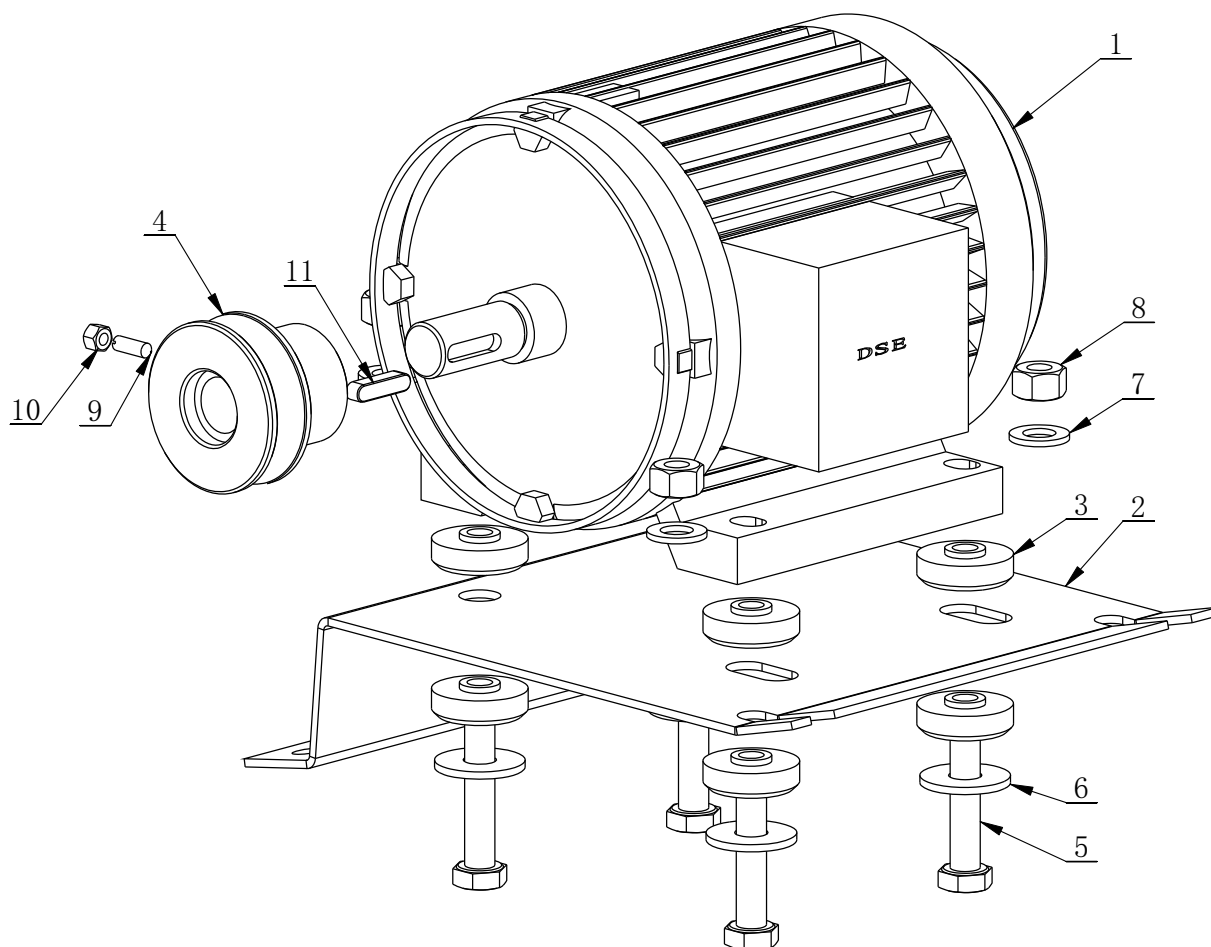


ITEM	PART. No	DESCRIPTION.	QT. Y
1	CT-Q-1000001	AIR GUIDE EXTERNAL BUSHING	1
2	CT-Q-1000002	AIR GUIDE ROTATION BUSHING	1
3	GB73-M3×6	SLOTTED FLATTEN HEAD SET SCREW	4
4	GB3452.1-60×2.65-G	HYDRAULIC-PNEUMATIC RUBBER O-RING G TYPE	3
5	FPC 6-01	MALE STRAIGHT	4

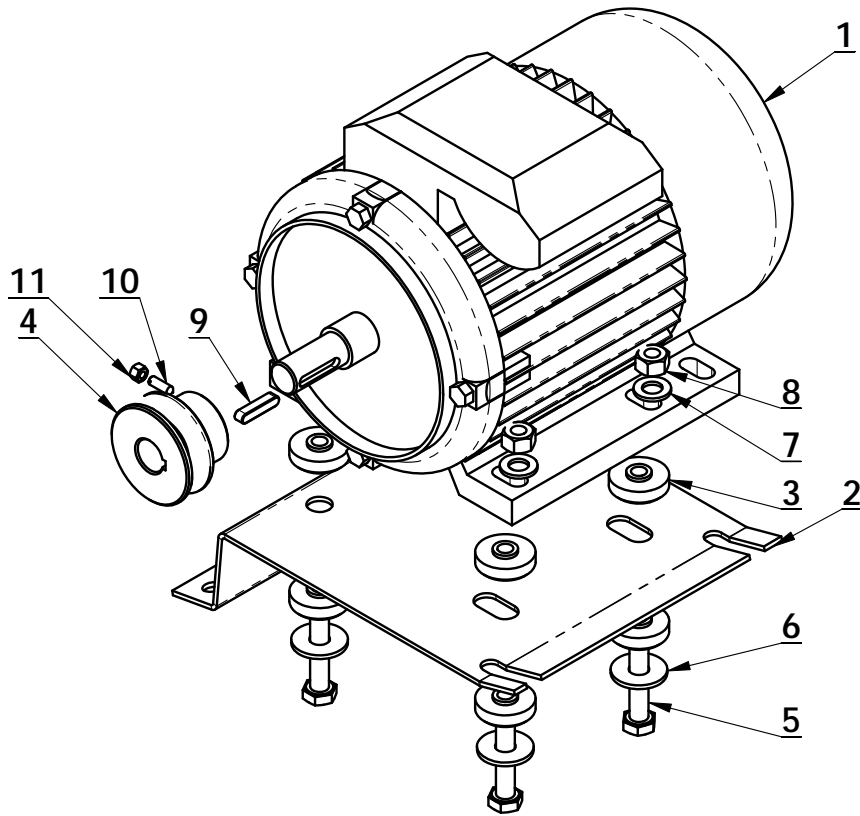




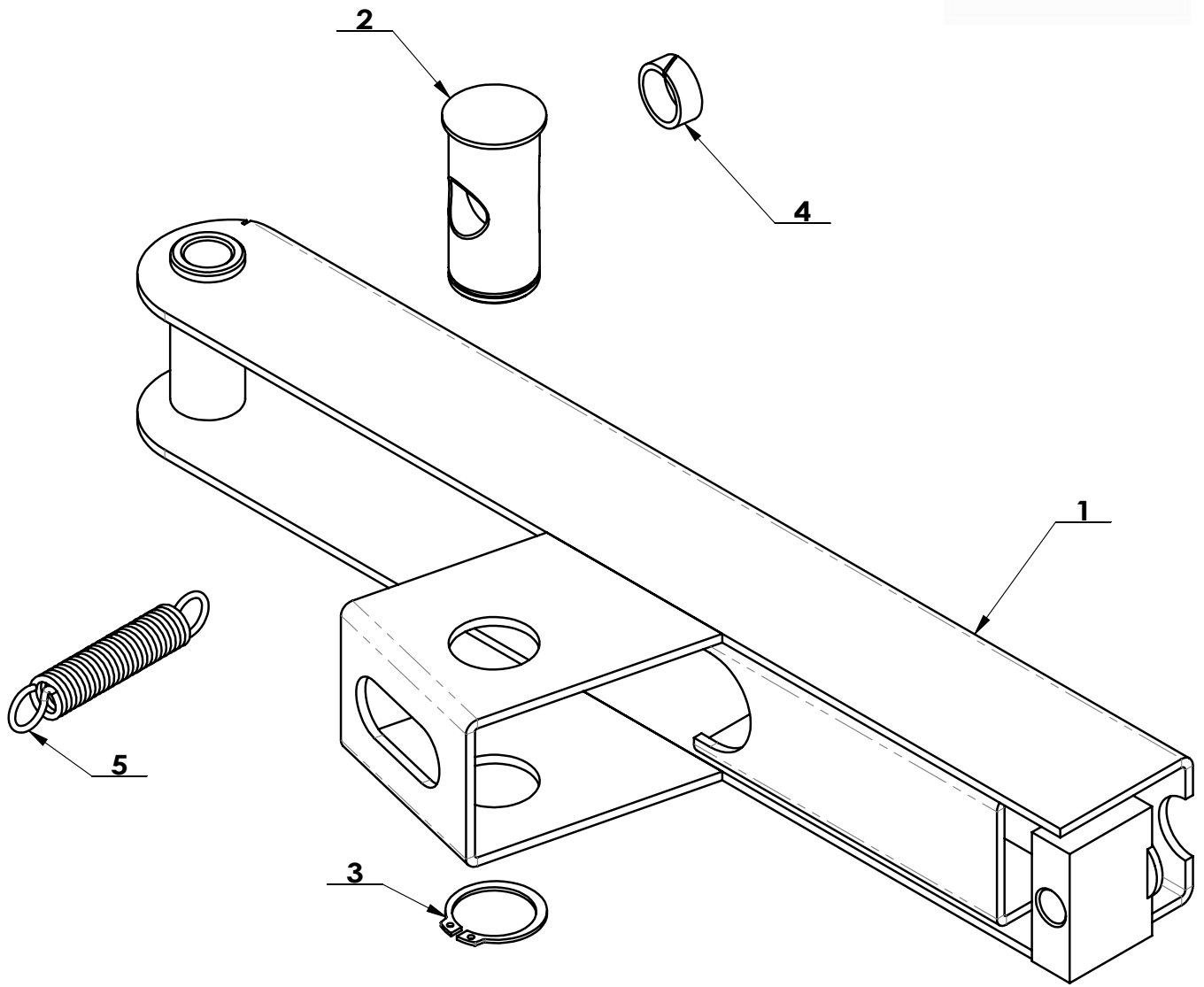
ITEM	PART. No	DESCRIPTION.	QT. Y
1	CT-J-0000005	GEARBOX LOWER	1
2	CT-J-0000006	GEARBOX TOP	1
3	CT-J-0000004	WORM ROD	1
4	CT-J-0000008	BELT PULLEY	1
5	CT-J-0000001	WORM SHAFT	1
6	GB276-6208	BEARING	1
7	GB1096-12×8×56	COMMON FLAT KEY	1
8	GB297-30205	BEARING	2
9	GB1099. 1-6×9×22	COMMON SEMI-CIRCULAR KEY	1
10	CT-J-0000003	WORM	1
11	GB894. 1-50	RETAINING RING A-TYPE	1
12	FB25-40 GB13871. 92	SEALED RING	1
13	CT-J-0100000	CAP	1
14	GB276-6010	DEEP GROOVE BALL BEARINGS	1
15	GB96. 2-8	LARGE WASHER C GRADE	1
16	GB93-8	STANDARD SPRING WASHER	1
17	GB5783-M8×25	HEXANGULAR BOLT	1
18	GB70. 1-M8×30	INNER HEXA CYLINDRICAL SCREW	8
19	GB41-M8	HEXANGULAR NUT	8
20	GB3452. 1-13. 2×2. 65-G	HYDRAULIC-PNEUMATIC RUBBER O-RING G TYPE	1
21	TC-10-1400013	BOLT	1



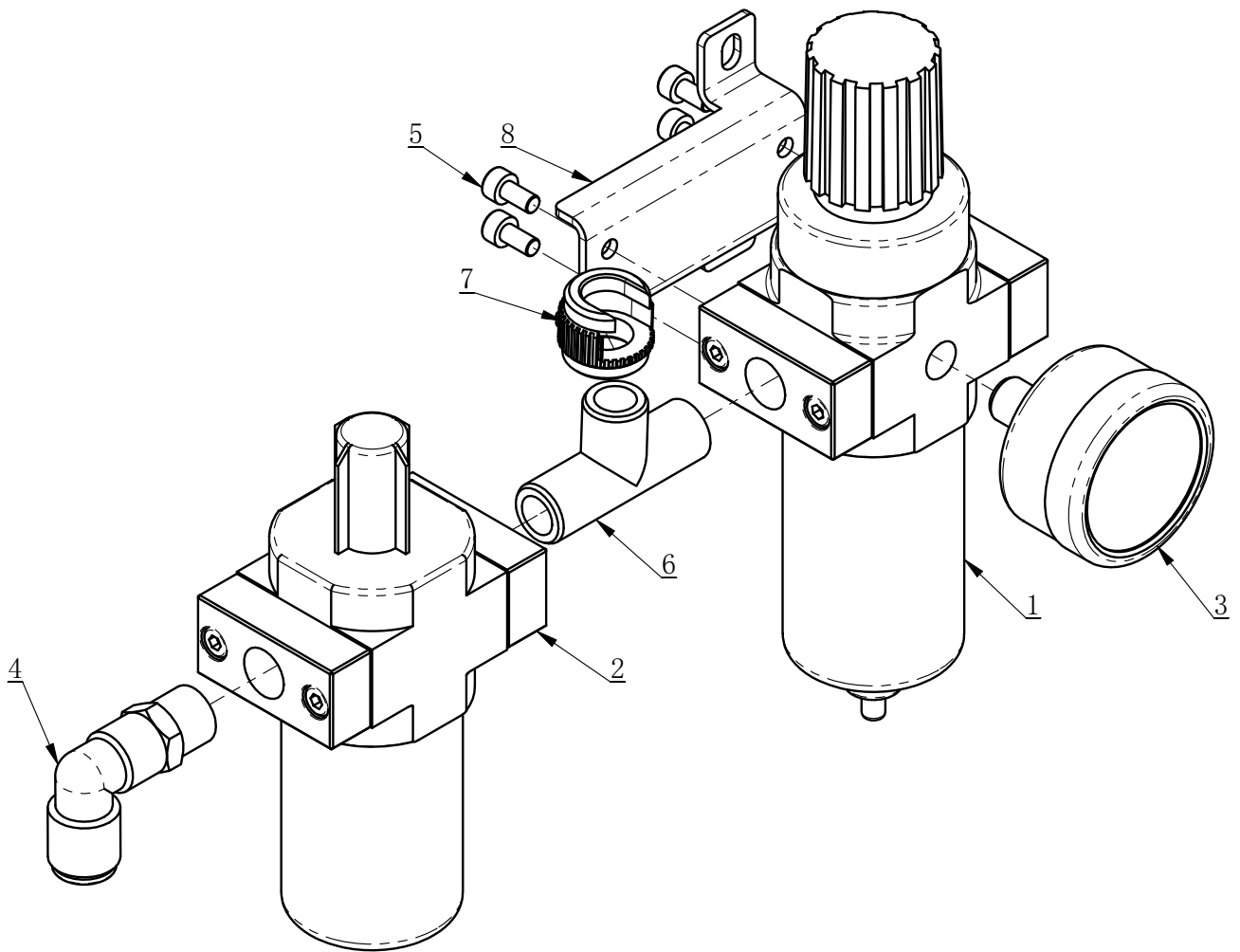
ITEM	PART. No	DESCRIPTION.	QT. Y
1	CT-DJ-0034122	MOTOR (0.75KW 380V 50Hz 3P)	1
2	CT-DJ-0000001	MOTOR SUPPORT	1
3	CT-DJ-0000002	RUBBER WASHER 220V MOTOR BELT PULLEY (Φ58X40)	8
4	CT-DJ-0000003		1
5	GB5781-M10 × 50	HEXANGULAR BOLT	4
6	GB96. 2-10	LARGE WASHER C GRADE	4
7	GB95-10	FLAT WASHER	4
8	GB41-M10	HEXANGULAR NUT	4
9	GB71-M5 × 16	SLOTTED CONIC HEAD SET SCREW	1
10	GB41-M5	HEXANGULAR NUT	1
11	GB1096-6 × 6 × 25	COMMON FLAT KEY	1



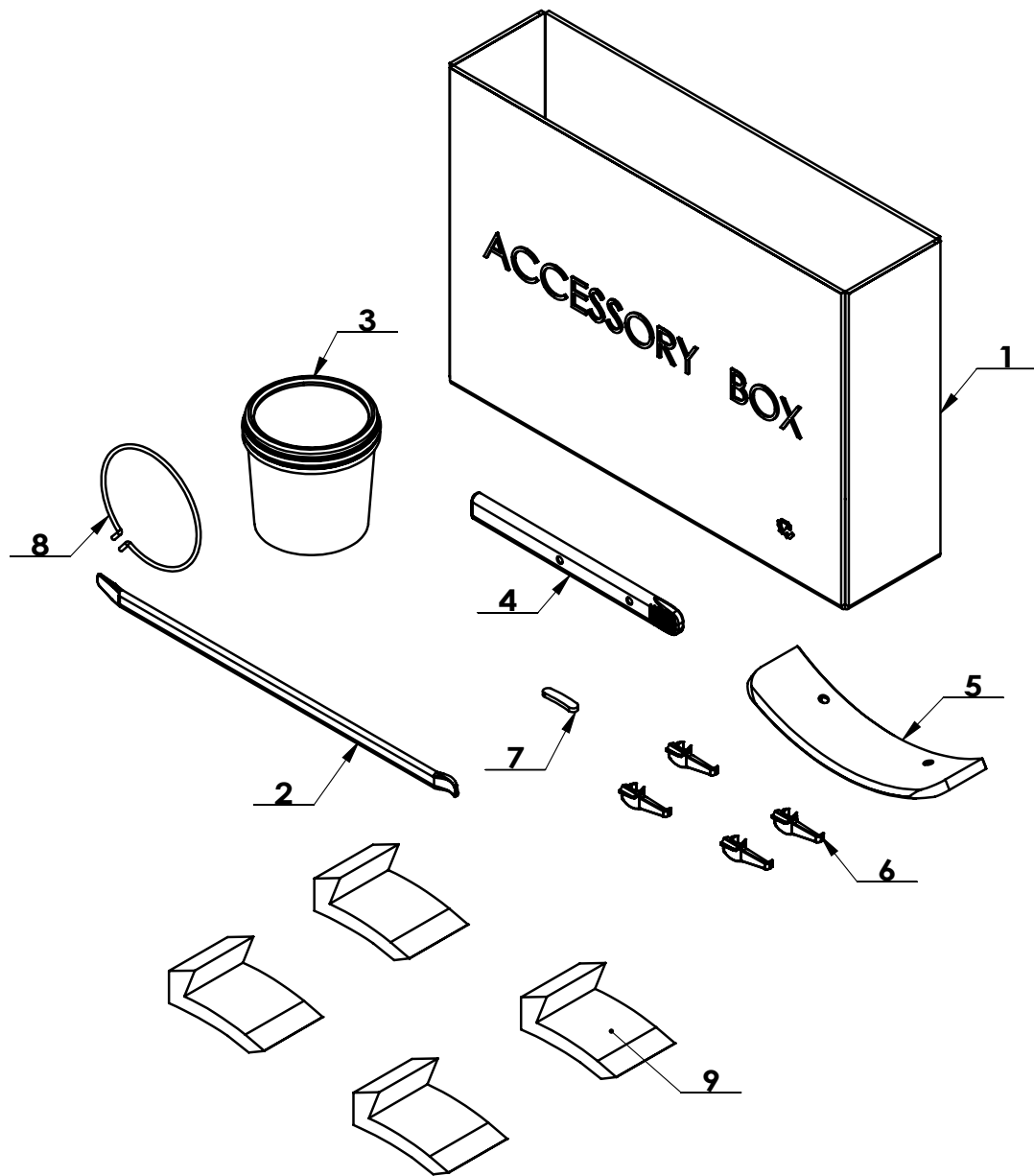
ITEM	PART. No	DESCRIPTION.	QT. Y
1	CT-DJ-0018112	MOTOR	1
2	CT-DJ-0000001	MOTOR SUPPORT	1
3	CT-DJ-0000002	RUBBER WASHER	8
4	CT-DJ-0000003	MOTOR BELT PULLEY	1
5	GB5781-M10×50	HEXANGULAR BOLT	4
6	GB96. 2-10	LARGE WASHER C GRADE	4
7	GB95-10	FLAT WASHER	4
8	GB41-M10	HEXANGULAR NUT	4
9	GB1096-6×6×28	COMMON FLAT KEY	1
10	GB71-M5×16	SLOTTED CONIC HEAD SET SCREW	1
11	GB41-M5	HEXANGULAR NUT	1



ITEM	PART. No	DESCRIPTION.	QT. Y
1	CT-B-4100000	BEAD BREAKING ARM ASSEMBLY	1
2	CT-B-4000001	BEAD BREAKING ARM SLIDE BUSHING	1
3	GB894. 1-34	SHAFT ELATIC BIG RETAINING RING A-TYPE	1
4	CT-B-2000001	SLIDE SPACER	1
5	CT-B-4000003	SPRING	1



ITEM	PART. No	DESCRIPTION.	QT. Y
1	CT-F-3000010	OIL CPU	1
2	CT-F-3000020	WATER CPU	1
3	CT-F-2000003	PRESSURE GAUGE	1
4	FPL 8-02	INSERT ELBOW $\Phi 8$ , R1/4	1
5	GB70. 1-M4 $\times$ 8	INNER HEXA CYLINDRICAL SCREW	4
6	PEH 02-02	FAMALE UNION TEE	1
7	C-01-1500004	OPEN NUT	1
8	CT-F-2000009	AIR REGULATOR BRACKET	1



ITEM	PART. No	DESCRIPTION.	QT
1	C-54-8000002	ACCESSORY BOX	1
2	C-54-8000003	20INCH CROWBAR	1
3	C-54-8100000	GREASE CONTAINER	1
4	C-54-8000019	CROWBAR JACKET	1
5	C-90-1000013	BEAD BREAKER BLADE COVER	1
6	C-54-1300014	SHEATH	4
7	C-54-8000007	TOOL HEAD TAIL WASHER	1
8	C-54-8000004	BRACKET	1
9	C-54-8000005	CLAMP PROTECTION COVER	4