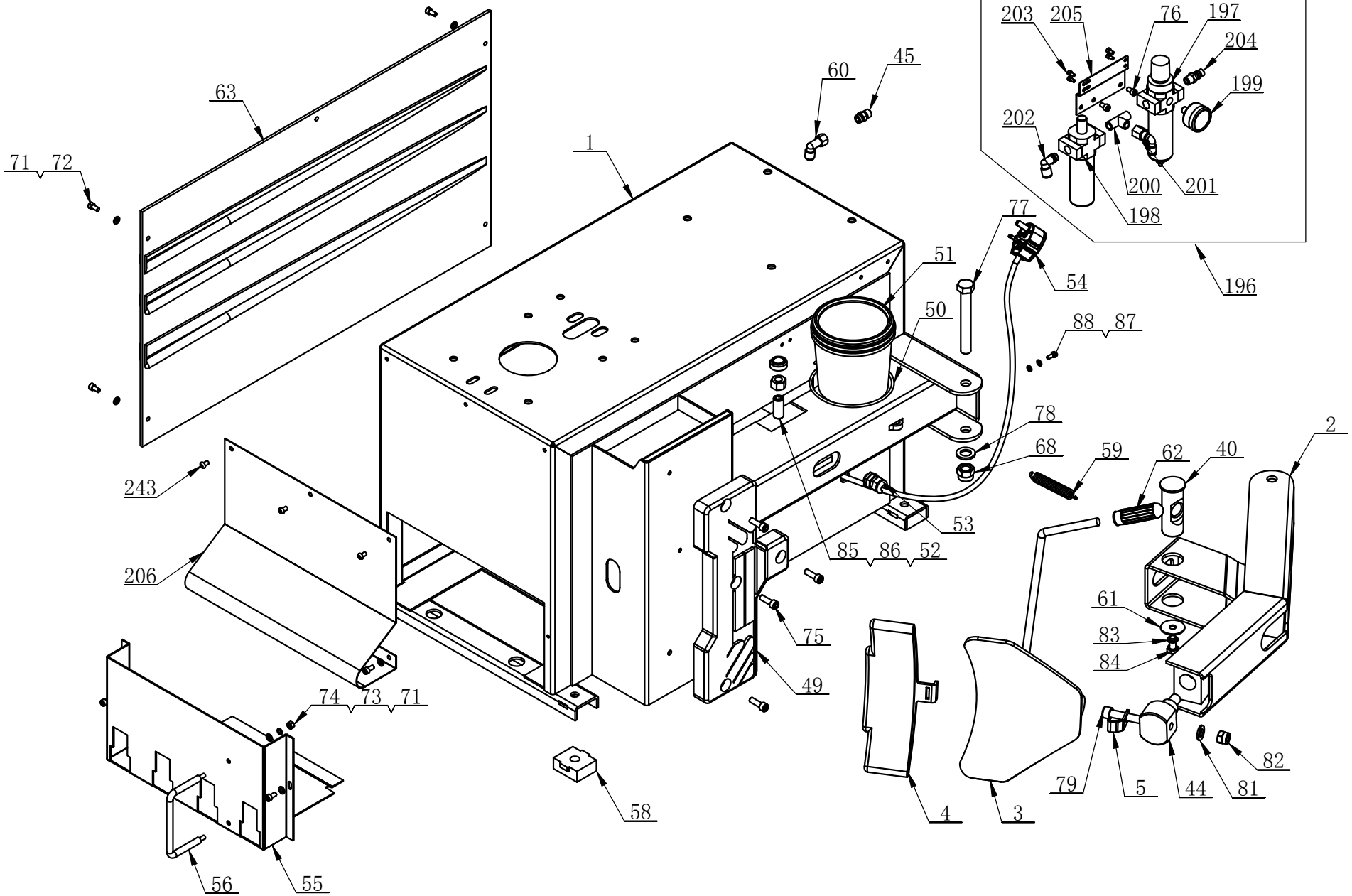
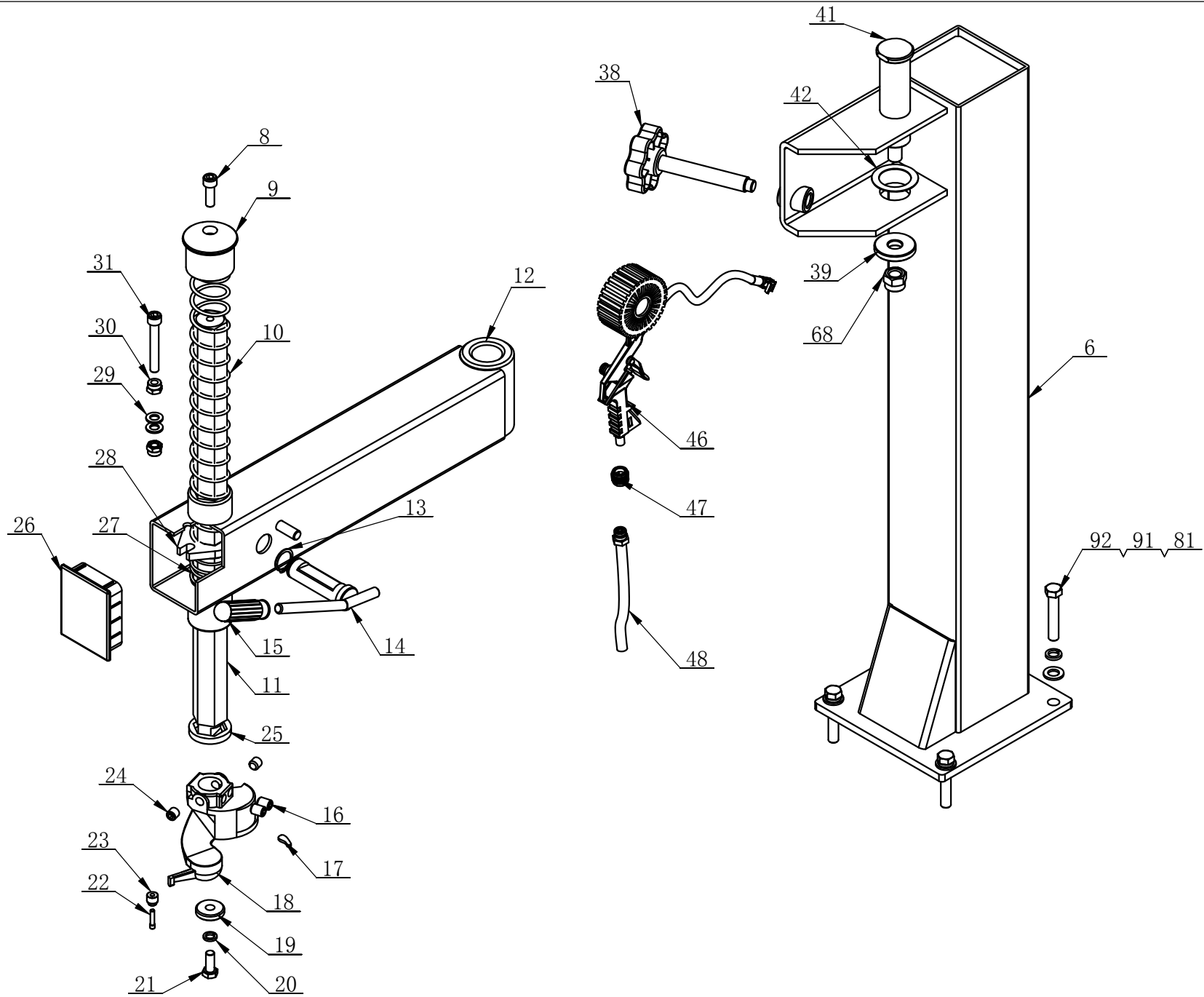
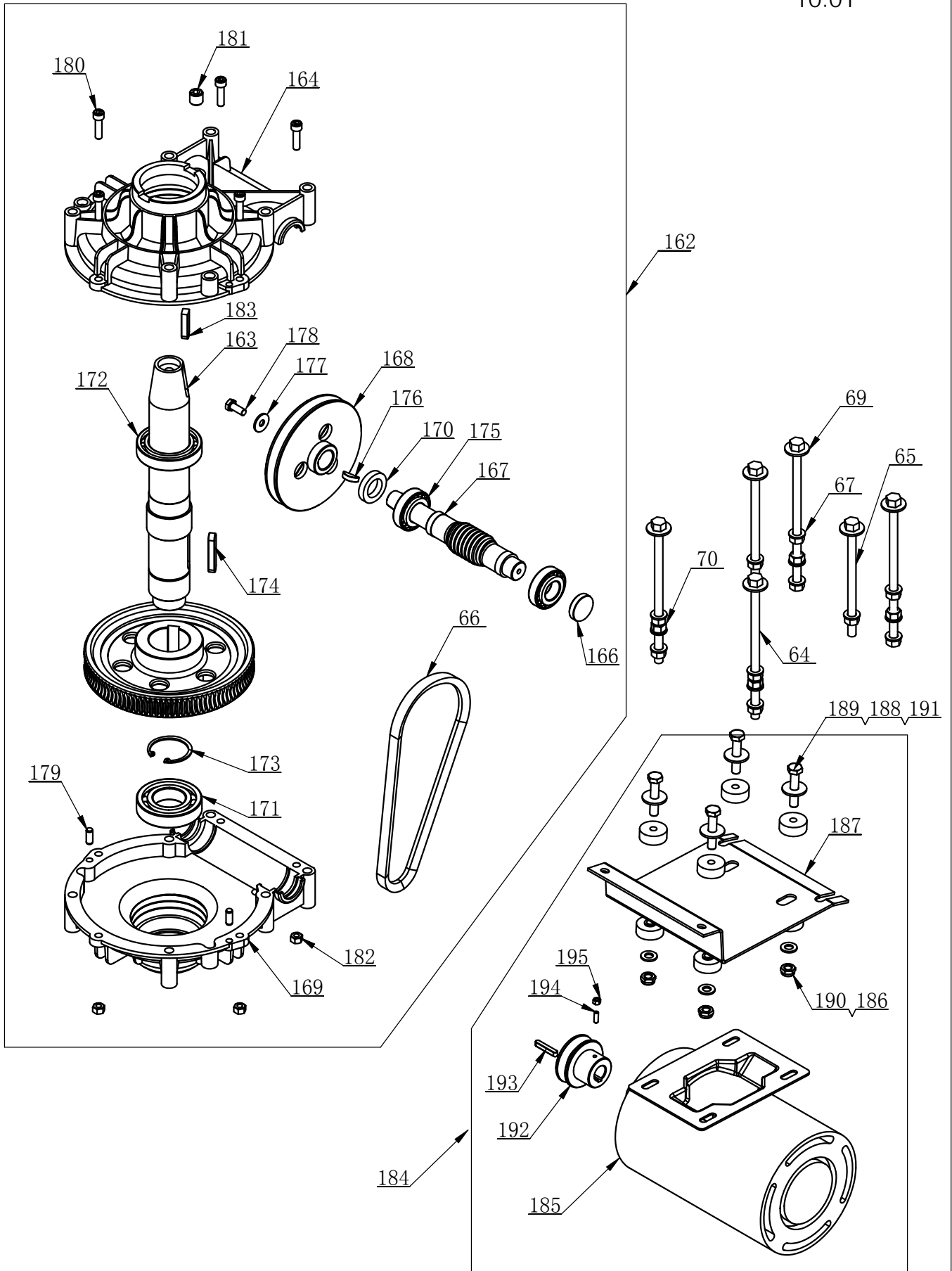


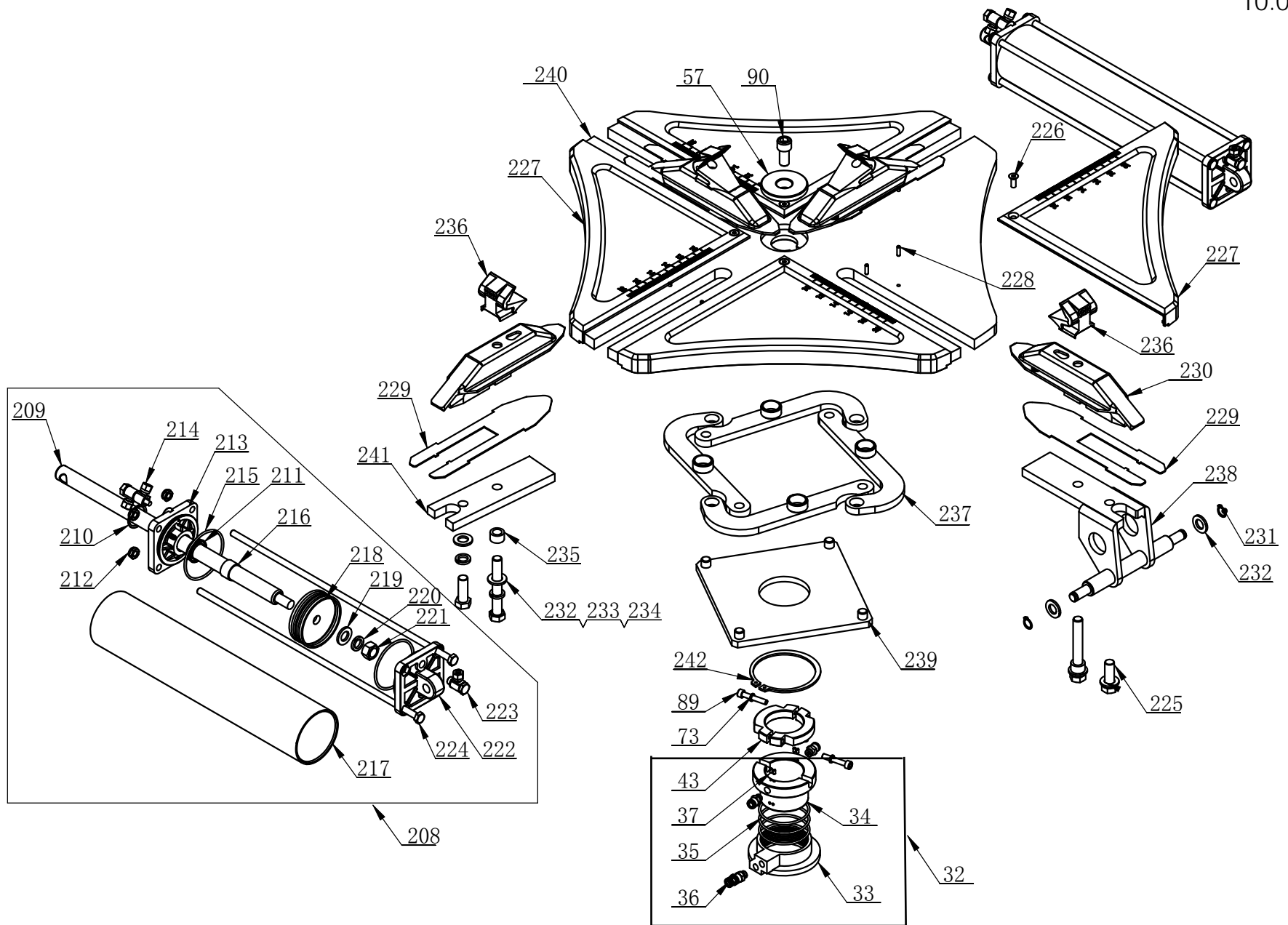
# Exploded Drawing

LC810G



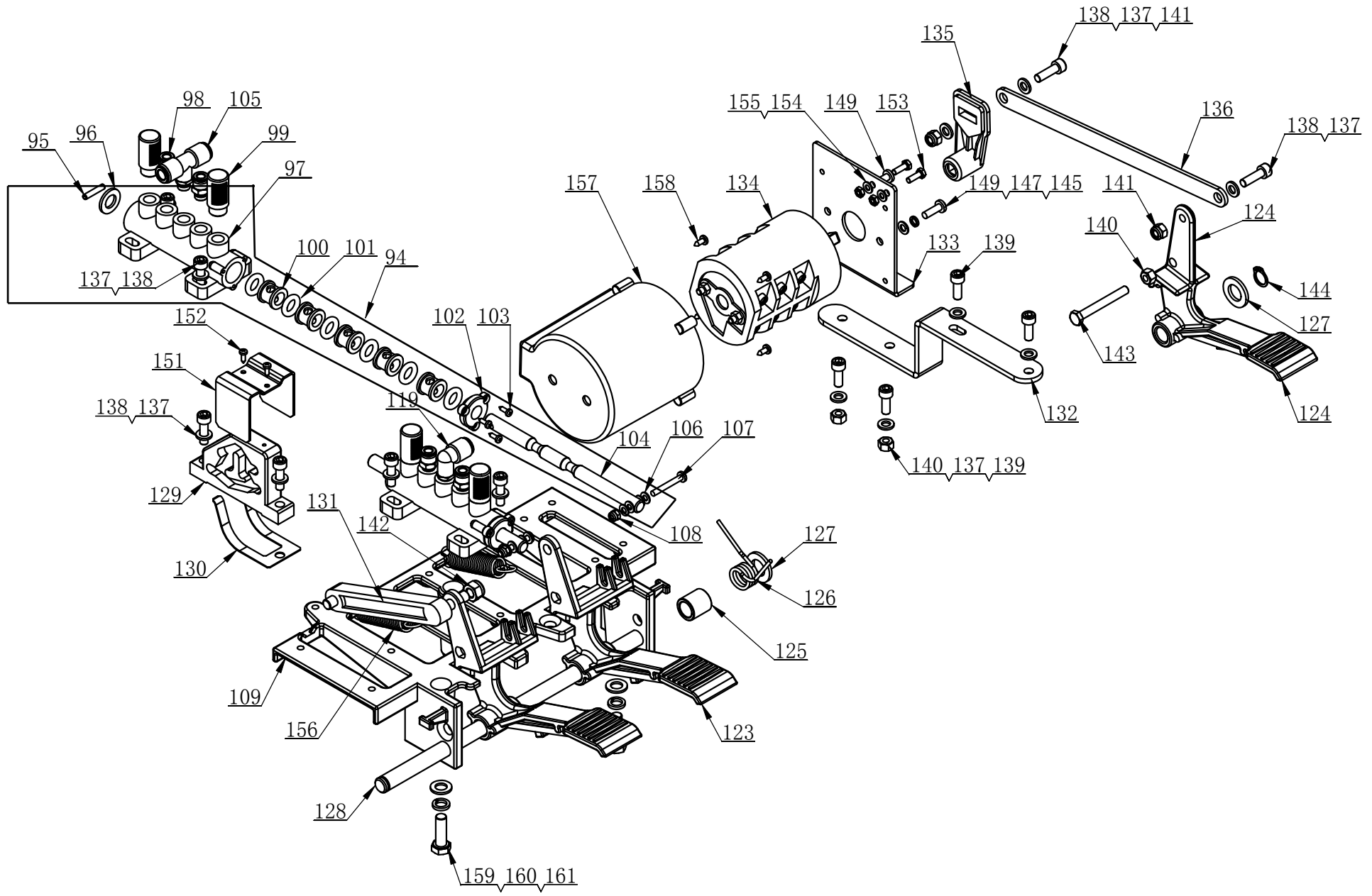






10.01

LC810G.00.00



ITEM	PART №	Description.	QTY	ITEM	PART №	Description.	QTY
1	6005040	BODY	1	45	5004101	DOUBLE SCREW R1/4	1
2	6003110	BEAD BREAKER	1	46	5004098	INFLATING GUN	1
3	6003109	BEAD BREAKER BLADE	1	47	5004075	OPEN NUT	1
4	6003089	BLADE SHEATH	1	48	5004099	INFLAING HOSE	1
5	6003009	CLASP	1	49	5506403	RUBBER CUSHION	1
6	6004532	VERTICAL COLUMN	1	50	5004092	BRACKET	1
7	6005020	SWING ARM	1	51	5004093	PASTE-MNTNG. UNVRSL"	1
8	5000033	SCREW M10X30	1	52	5004070	PROTECTION COVER	1
9	5004200	VERTICAL SHAFT COVER	1	53	5502049	POWER CABLE CONNECT	1
10	6005011	VERTICAL SHAFT SPRING	1	54	5004107	PIN PLRG	1
11	6005017	HEXAGON SHAFT	1	55	6003106	PANEL	1
12	6005016	SWING ARM	1	56	6010006	PROTECTIVE ROD	1
13	5002030	CIRCLIP 25	1	57	6000106	PRESS COVER	1
14	6010042	LOCK HANDLE	1	58	5502045	BASE RUBBER BLOCK	4
15	6008091	RUBBER COVER	1	59	6000360	SPRING	1
16	5004023	SCREW M12X16	2	60	5004108	TEE 08-U02	1
17	5502044	PLASTIC COVER	1	61	6003051	WASHER	1
18	5004118	DEMOUNTING HEAD	1	62	6008091	RUBBER COVER	1
19	5004201	PRESS WASHER	1	63	6003052	SIDE PANEL	1
20	5010006	WASHER 10	1	64	5004006	BOLT_HHBFTC M10X200	4
21	5009146	BOLT M10X25	1	65	5004004	BOLT_HHBFTC M10X160	2
22	5004116	ROLLER BOLT	1	66	5004076	VBELT A-26	1
23	5004117	ROLLER	1	67	5509151	WASHER 10	14
24	5004021	SCREW M12X12	2	68	5004215	NUT M16	2
25	5004115	SHOCK ABSORBER WASHER	1	69	5004005	WASHER 10	6
26	6005018	DECORATING COVER	1	70	5010004	NUT M10	14
27	5502052	VERTICAL SHAFT SPRING	1	71	5008063	WASHER 6	11
28	5502053	HEXAGON LOCK PLATE	1	72	5004001	SCREW M6X12	9
29	5509151	WASHER 10	2	73	5010058	WASHER 6	4
30	5008112	NUT M10	2	74	5004008	NUT M6	2
31	5000034	SCREW M10X70	1	75	5010088	SCREW M8X25	4
32	6000619	AIR GUIDER ASSEMBLY	1	76	5004220	SCREW M6X10	2
33	6000724	AIR GUIDE EXTERNAL COVER	1	77	5006586	BOLT M16X120	1
34	6000725	AIR GUIDE ROTATION BUSHING	1	78	5010026	WASHER 16	1
35	5002063	RING 60X2.65	3	79	5006587	SCREW M12X90	1
36	5010060	INSERT FITTING $\Phi$ 6, R1/8"	4	80	5006588	WASHER 12	1
37	5002043	SCREW M3X6	4	81	5010020	WASHER 12	5
38	5502048	HANDLE WHEEL	1	82	5010022	NUT M12	1
39	6010036	SHAFT WASHER	1	83	5010006	WASHER 10	1
40	6003011	SLIDDING BUSH	1	84	5008041	BOLT M10X20	1
41	6005014	ROCKER VERTICAL SHAFT	1	85	5010089	SCREW M16X45	2
42	6005027	ADJUSTING WASHER	2	86	5000086	NUT M14	2
43	6000618	CLAMP RING	1	87	5010045	WASHER 5	2
44	6003107	ROTATING SPACER	1	88	5006589	BOLT M5X12	1

89	5004031	SCREW M6X35	2	134	5010055	SWITCH	1
90	5010032	SCREW M12X25	1	135	6003065	REVERSE LEVER	1
91	5010025	WASHER 12	4	136	6003064	SWITCH CONNECT PLATE	1
92	5006585	BOLT M12X65	4	137	5008063	WASHER 6	14
93	6003065	FOOT PEDAL ASSEMBLY	1	138	5004032	SCREW M6X20	8
94	5000244	VALVEA	1	139	5009015	SCREW M6X16	4
95	5010068	PIN 4X20	1	140	5004008	NUT M6	3
96	5509151	WASHER 10	1	141	6003113	NUT M6	3
97	6000238	VALVE	1	142	5010003	NUT M8	1
98	5010060	INSERT FITTING $\Phi 6, R1/8''$	2	143	5006598	BOLT M6X50	1
99	5010047	MUFFLER $\Phi 8$	2	144	5004015	RING 12	2
100	6000223	SPACER	5	145	5010045	WASHER 5	2
101	5009083	O-RING $\Phi 9.8X\Phi 4$	6	146	5009010	WASHER 3	1
102	6000240	VALVE COVER	1	147	5004045	WASHER 5	2
103	5010224	SCREW ST2.9X9.5	3	148	5009013	WASHER 3	1
104	6000242	VALVE ROD	1	149	5011004	SCREW M5X16	2
105	6000218	INSERT TEE, 8MM, R1/8	1	150	5010065	SCREW M3X10	1
106	5010040	WASHER 4	4	151	6003063	CAM PLATE	1
107	5008067	SCREW M4X30	1	152	5010224	SCREW ST2.9X9.5	2
108	5010067	NUT M4	1	153	5006599	BOLT M4X12	2
109	6003067	BRACKET-VALVE SWITCH	1	154	5010040	WASHER 4	2
110	6000245	VALVE B	1	155	5009081	NUT M4	2
111	6000238	VALVE	1	156	600236	SPRING	2
112	5010060	INSERT FITTING $\Phi 6, R1/8''$	2	157	5506864	PROTECTIVE COVER	1
113	5010047	MUFFLER $\Phi 8$	2	158	5006600	SCREW ST3.5X9.5	4
114	6000223	SPACER	5	159	5000107	BOLT M8X25	3
115	5009083	O-RING $\Phi 9.8X\Phi 4$	6	160	5000018	WASHER 8	3
116	6000240	VALVE COVER	1	161	5004046	WASHER 8	3
117	5010224	SCREW ST2.9X9.5	3	162	6000270	GEARBOX ASSEMBLY	1
118	6000239	VALVE ROD	1	163	6008911	WORM SHAFT	1
119	5509158	INSERT ELBOW $\Phi 8, R1/8''$	1	164	6000353	GEARBOX TOP	1
120	5010067	NUT M4	1	165	6000354	WORM	1
121	5008067	SCREW M4X30	1	166	6000355	CAP 40X25X8	1
122	5010040	WASHER 4	4	167	6000273	WORM ROD	1
123	6003064	PEDAL	2	168	6000275	BELT PULLEY	1
124	6003063	PEDAL	1	169	6000356	GEARBOX BASE	1
125	6003065	SPACER	1	170	5010208	SEALED RING	1
126	6000241	SPRING-TRSN	1	171	5010076	ROLLING BEARING 6208	1
127	5010020	WASHER 12	2	172	5010002	ROLLING BEARING 6010	1
128	6003050	SHAFT-RTTN PEDAL	1	173	5010001	CIRCLIP 50	1
129	6000211	CAM	1	174	5009082	PLAIN KEY 12X56	1
130	6003112	SPRING PLATE	1	175	5000015	ROLLING BEARING 30205	2
131	6000226	VALVE CONNECTING ROD	1	176	5002086	PLAIN KEY 6X9X22	1
132	6003061	BASE BATE	1	177	5009118	WASHER 8	1
133	6003060	SWITCH BASE BATE	1	178	5010077	BOLT M8X20	1



179	5004208	PIN 8X20	2	224	6000024	BOLT	4
180	5004060	SCREW M8X30	5	225	5010033	BOLT M12X35	4
181	5010078	SCREW M16X1.5X15	1	226	5009114	SCREW M6X16	4
182	5002060	NUT M8	5	227	6003048	PROTECTIVE PLATE	4
183	5006003	PLAIN KEY 12X45	1	228	5010038	PIN 4X14	8
184	6000180	MOTOR ASSEMBLY	1	229	6000146	WEAR-RESISTANCE SPACER	4
185	6000181	MOTOR AC220V, 1.1kW, 50Hz	1	230	6000170	SLIDE COVER	4
186	5004041	WASHER 10	4	231	5010061	CIRCLIP 12X1	4
187	6000182	MOTOR BEND PLATE	1	232	5010020	WASHER 12	12
188	5004005	WASHER 10	4	233	5010127	BOLT M12X85	4
189	5010041	BOLT M10X50	4	234	5010025	WASHER 12	8
190	5010043	TORQUE NUT M10	4	235	6000109	SPACER	4
191	6000183	RUBBER WASHER	8	236	6000107	CLAMP	4
192	6000184	MOTOR BELT PULLEY	1	237	6000135	CONNECTION PLATE	4
193	5010056	PLAIN KEY 6X36	1	238	6000133	BRACKET-CYLINDER	2
194	5010232	SCREW M5X16	1	239	6000105	SQUARE TURNTABLE	1
195	5011008	NUT M5	1	240	6009142	TURNTABLE	1
196	5509168	AJ AIE REGULATOR ASSEMBLY	1	241	6000262	BOTTOM CHUTE PRESS PLATE	2
197	5509177	WATER CUP	1	242	5011007	CIRCLIP 85	1
198	5509178	OIL CUP	1	243	5006591	SCREW M6X10	3
199	5004081	PRESSURE GAUGE	1				
200	5004082	TEE R1/4"	1				
201	5509150	INSERT ELBOW R1/4, D8	1				
202	5004083	INSERT ELBOW $\Phi 8$ , R1/4"	1				
203	5000091	SCREW M4X8	4				
204	5004079	AIR SUPPLY CONNECTOR	1				
205	5506102	AIR REGULATOR BRACKET	1				
206	6003083	PROTECTIVE PLATE	1				
207	6003049	TURNTABLE ASSEMBLY	1				
208	6000050	CYLINDER ASSEMBLY	2				
209	6000021	SHAFT-CYLNR	1				
210	5010024	CIRCLIP 30	1				
211	6000007	SEAL-ROD, CYLNR	1				
212	5010003	NUT M8	4				
213	6000004	FRONT COVER	1				
214	6000010	HINGE TEE	1				
215	5010021	O RING 65X2.65	2				
216	6000008	BEARING-SLIDE	1				
217	6000022	SLEEVE-CYLNR 70	1				
218	6000011	PISTON-W/WSHR, ASSY	1				
219	5010020	WASHER 12	1				
220	5010025	WASHER 12	1				
221	6000023	NUT 12	1				
222	6000003	REAR COVER	1				
223	6000009	HINGE ELBOW $\Phi 8$	1				