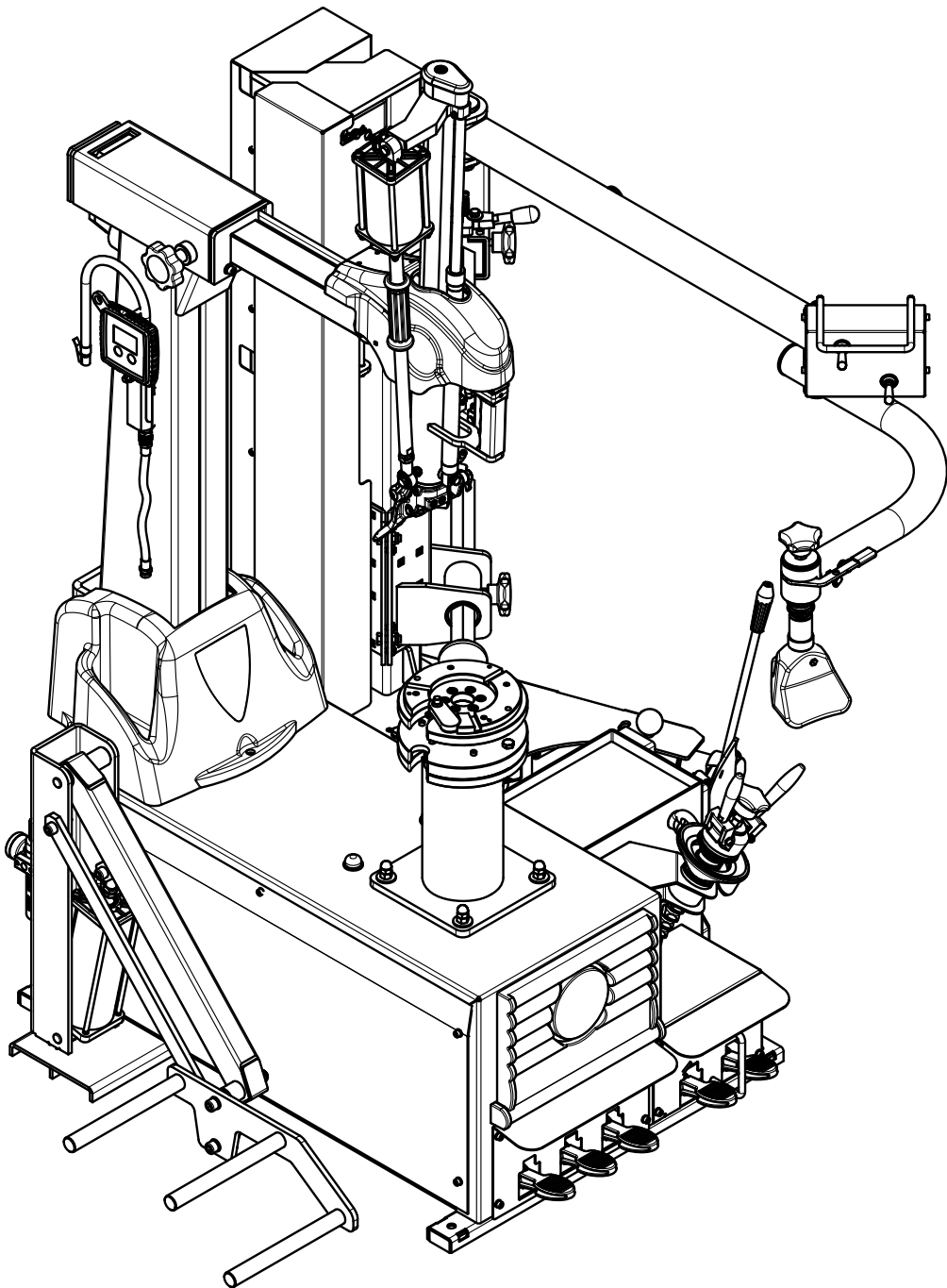
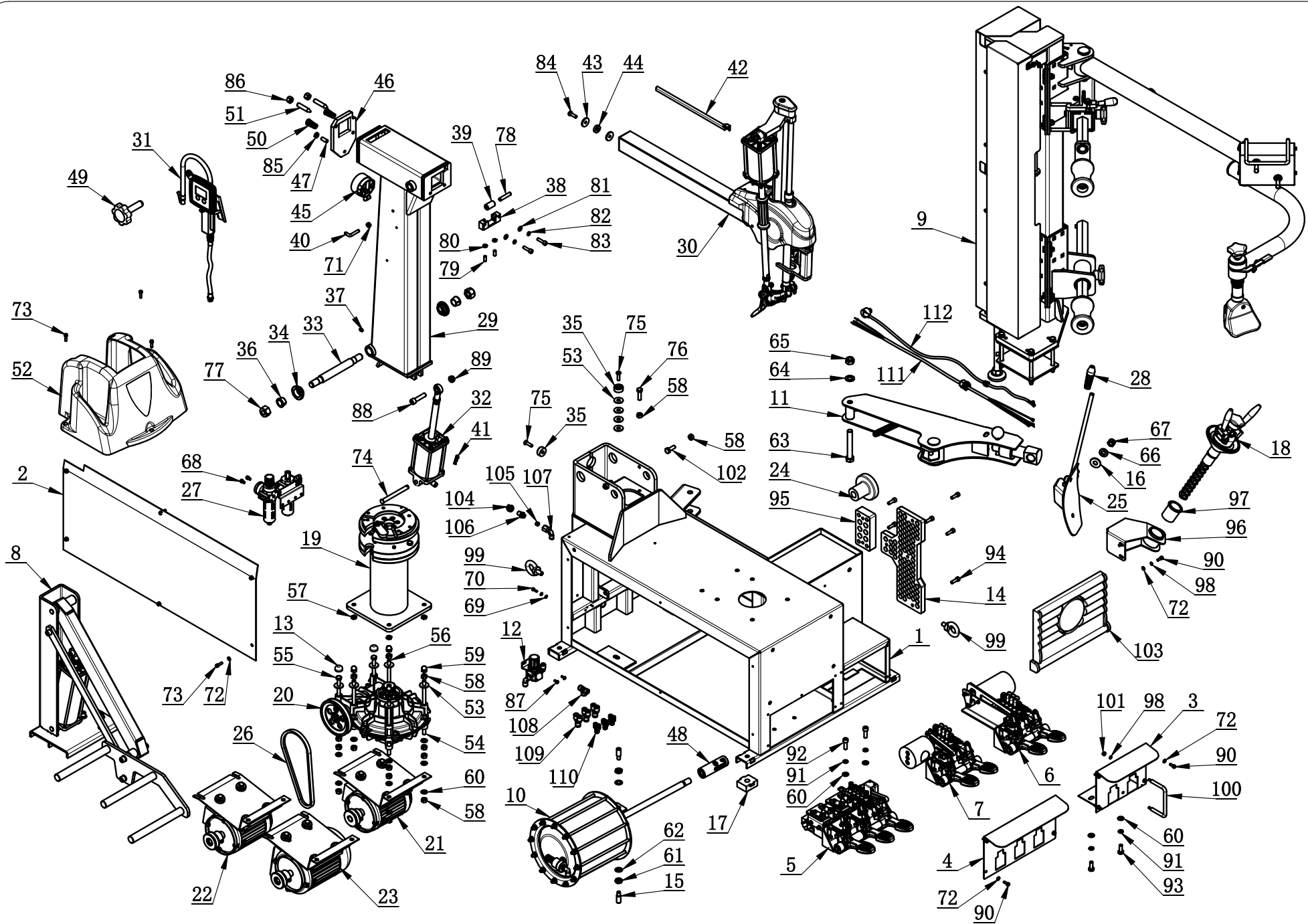


# 897 Exploded Drawing





内外销通用897

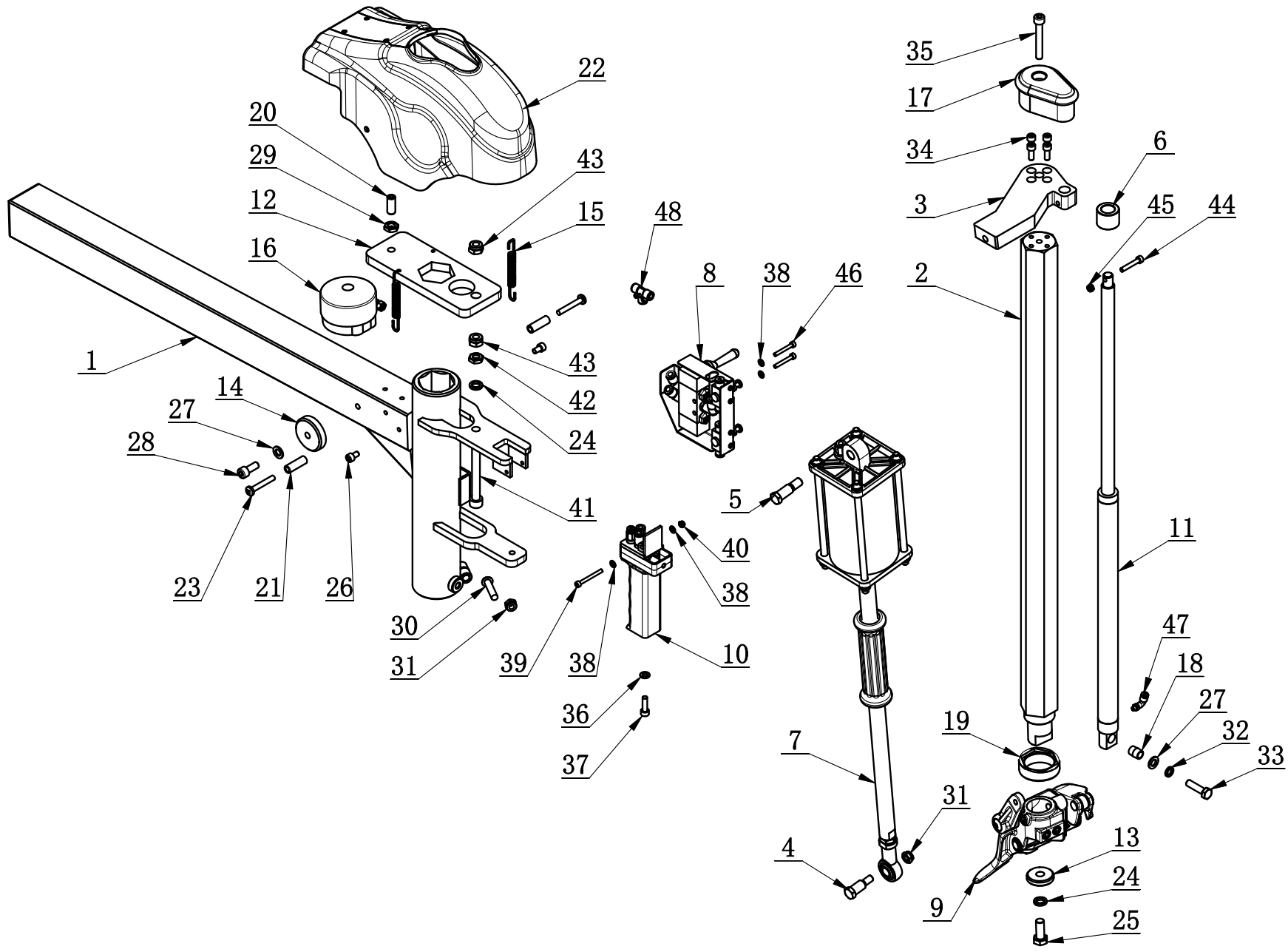
ITEM	PART. No	DESCRIPTION.	QT. Y
1	C-97-1100000	BODY	1
2	C-97-1000001	SIDE PANEL	1
3	C-97-1000002	SUPPORT PLATE	1
4	C-97-1000003	COVER PLATE	1
5	C-97-1200000B	PEDAL ASSEMBLY	1
6	C-97-1300000	PEDAL ASSEMBLY (DOUBLE SPEED)	1
7	C-97-1300000A	PEDAL ASSEMBLY (SINGLE SPEED)	1
8	C-97-1500000A	LIFTING DEVICE	1
9	C-97-1900000A	ASSISTANT ASSEMBLY	1
10	CT-LS-G100000	BEAD BREAKER CYLINDER ASSEMBLY	1
11	CT-B-C000000A	BEAD BREAKER	1
12	C-5B-1500000	PRESSURE ADJUST VALVE	1
13	C-01-1000006	COVER CAP	2
14	C-31-1000010	RUBBER PAD PLATE	1
15	C-54-1000010	SCREWS M14X42	2
16	C-54-1000002	WASHER	1
17	C-54-1000005	RUBBER FOOT	4
18	C-A1-11C0000	SCREW ASSEMBLY	1
19	C-A2-11C0000	MAIN SHAFT ASM	1
20	C-A2-1124000	GEARBOX ASSEMBLY (50Hz)	1
21	CT-DJ-0344123	MOTOR (380V, 50Hz, 3P, 0.85-1.1Kw, DOUBLE SPEED)	1
22	CT-DJ-0334122	MOTOR (380V, 50Hz, 3P, 0.75Kw)	1
23	CT-DJ-0318112Y	MOTOR (220-240V, 50Hz, 1P, 1.1Kw)	1
24	CT-B-1200000	RUBBER COVER	1
25	CT-C-2200000	BEAD BREAKER BLADE ASSEMBLY	1
26	CT-DJ-0000007	BELT (USED WITH 50HZ MOTOR)	1
27	CT-F-2121200	AIR REGULATOR ASSEMBLY	1
28	TC-40-1200022	RUBBER COVER	1
29	C-8M-1200000	COLUMN WELDING	1
30	C-8R-1A00000	HORIZONTAL ARM ASSEMBLY	1
31	CT-P-5000000	INFLATING GUN ASSEMBLY	1
32	CT-XD-1000000A	PULL-OUT CYLINDER ASSEMBLY	1
33	C-7N-1000002	ROTATION SHAFT	1
34	C-86-1000003	LOCKING BUSHING	2
35	C-86-1000006	WASHER $\Phi 30 \times \Phi 10 \times 15$	2
36	C-6A-1000003	CONICAL BUSHING	2
37	TC-10-8400006	OIL BOTTLE	1
38	C-7C-1000004	PEDESTAL	1
39	C-7C-1000005	TELEFLEX	1
40	C-71-1000024	INFLATING GUN HOOK	1

内外销通用897

ITEM	PART. No	DESCRIPTION.	QT. Y
41	C-77-1000012	CIRCLIP	1
42	C-77-1000009	AIR HOSE CHUTE	1
43	C-77-1000003	CUSHION	2
44	C-77-1000004	RUBBER WASHER	1
45	C-77-1500000	LOCKING CYLINDER ASSY	1
46	C-7N-1000001	SQUARE LOCK PLATE	1
47	C-71-1000029	INNER HEXA FLAT TERMINUS SET SCREW	1
48	C-5B-1400000A	LIMIT SET	1
49	C-86-1400000	HANDLE WHEEL	1
50	C-86-1000005	PRESS SPRING	2
51	C-86-1000004	INNER HEXA CONIC TERMINUS SET SCREW	2
52	C-8M-1000001	PROTECTIVE COVER	1
53	GB96. 1-10	LARGE WASHER A GRADE	10
54	C-A2-1150001	DOUBLE SCREW-BOLT	2
55	GB5782-M10×200-8. 8	BOLT M10×200	2
56	C-A2-1150002	DOUBLE SCREW-BOLT	2
57	GB6172. 1-M10	HEXANGULAR THIN NUT	4
58	GB41-M10	HEXANGULAR NUT	21
59	GB923-M10	CAP NUT	4
60	GB95-10	FLAT WASHER	18
61	GB6172. 1-M14	HEXANGULAR THIN NUT	2
62	GB861. 1-14	INNER TOOTH LOCK WAHSER	2
63	GB5782-M16×110	HEXANGULAR BOLT	1
64	GB95-16	FLAT WASHER	1
65	GB889. 1-M16	1-TYPE PREVAILING TORQUE TYPE HEXAGON LOCK NUT	1
66	GB955-14	WAVE-FORM SPRING WASHER	1
67	GB889. 1-M14	1-TYPE PREVAILING TORQUE TYPE HEXAGON LOCK NUT	1
68	GB70. 1-M6×10	INNER HEXA CYLINDRICAL SCREW	2
69	GB95-5	FLAT WASHER	2
70	GB5783-M5×16	HEXANGULAR BOLT	1
71	GB41-M8	HEXANGULAR NUT	1
72	GB95-6	FLAT WASHER	19
73	GB70. 1-M6×20	INNER HEXA CYLINDRICAL SCREW	9
74	GB882-12×120	PIN SHAFT	1
75	GB70. 3-M8×30	INNER COUNTERSUNK SCREW	2
76	GB5783-M10×35	HEXANGULAR BOLT	1
77	GB6184-M20	1-TYPE METAL HEXAGON LOCK NUT	2
78	GB119. 1-10×50	CYLINDRICAL PIN	1
79	GB77-M8×20	INNER HEXA FLAT TERMINUS SET SCREW	2
80	GB6172. 1-M8	HEXANGULAR THIN NUT	2

内外销通用897

ITEM	PART. No	DESCRIPTION.	QT. Y
81	GB95-8	FLAT WASHER	2
82	GB93-8	STANDARD SPRING WASHER	2
83	GB70. 1-M8×30	INNER HEXA CYLINDRICAL SCREW	2
84	GB5783-M8×25	HEXANGULAR BOLT	1
85	GB6173-M10×1. 0	HEXA THIN NUT	1
86	GB41-M12	HEXANGULAR NUT	2
87	GB818-M5×12-H	CROSS PANHEAD SCREW	2
88	GB70. 1-M12×50	INNER HEXA CYLINDRICAL SCREW	1
89	GB889. 1-M12	1- TYPE PREVAILING TORQUE TYPE HEXAGON LOCK NUT	1
90	GB70. 1-M6×16	INNER HEXA CYLINDRICAL SCREW	13
91	GB93-10	STANDARD SPRING WASHER	4
92	GB70. 1-M10×30	INNER HEXA CYLINDRICAL SCREW	2
93	GB5783-M10×25	HEXANGULAR BOLT	2
94	GB70. 1-M8×25	INNER HEXA CYLINDRICAL SCREW	6
95	C-90-1000001	RIM SUPPORT	1
96	C-97-1000100	BRACKET	1
97	C-A1-1700003	NYLON BUSHING	1
98	GB93-6	STANDARD SPRING WASHER	6
99	GB825-M12	CROSS RECESSED HEXAGON HEAD SCREW	2
100	C-N4-1000004	PROTECTIVE ROD	1
101	GB41-M6	HEXANGULAR NUT	2
102	C-90-1000012	POSITION BOLT	2
103	C-01-1000003	COVER	1
104	C-01-1500004	OPEN NUT	1
105	C-54-1000027	JOINT SEALING GASKET	1
106	C-54-1000034	AIR CONNECTOR	1
107	FPLF8-02	INSERT ELBOW $\phi$ 8, R1/4	1
108	FPT 6-8-8	DIFFERENT DIA OF UNION TEE	1
109	FPY-8	Y-SHAPE INSERT FITTING $\phi$ 8	3
110	FPY-6	Y TYPE JOIN 6	3
111	CT-E-UN00410	CABLE(3P)	1
112	CT-E-CN00315	CABLE(1P)	1



C-8R-1A00000

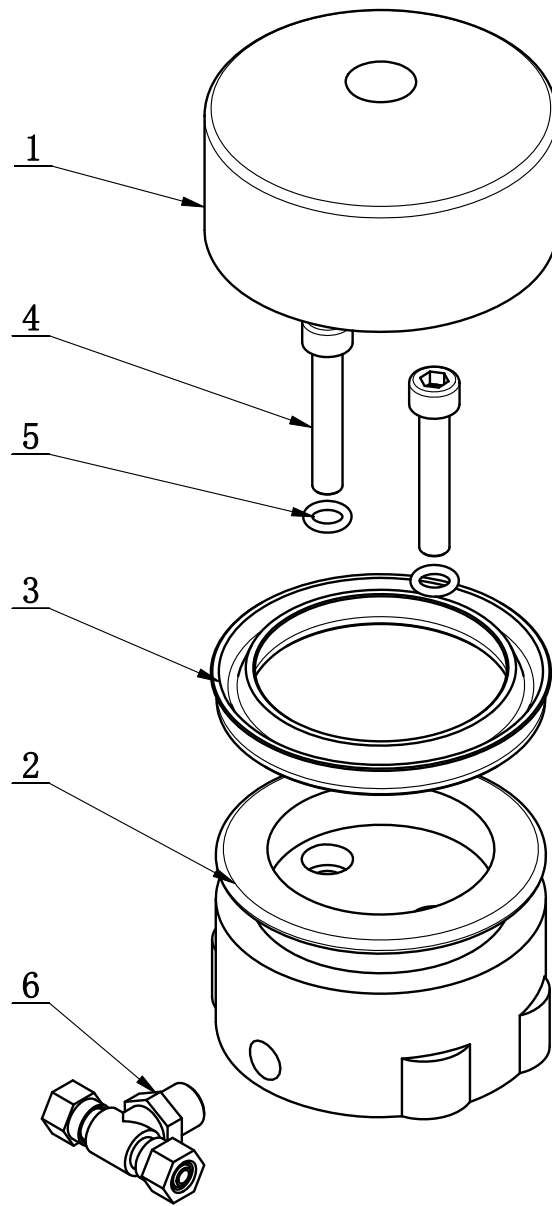
ITEM	PART. No	DESCRIPTION.	QT. Y
1	C-8R-1A10000	HORIZONTAL ARM WELDING	1
2	C-8R-1A00001	HEXANGULAR SHAFT	1
3	C-8R-1A00002	CYLINDER CONNET PLATE	1
4	C-8R-1A00003	SELF-MADE BOLT M8	1
5	C-8R-1A00004	SELF-MADE BOLT M10	1
6	C-8R-1A00005	RUBBER WASHER	1
7	C-8R-1A20000	CYLINDER ASSEMBLY	1
8	C-8R-1A30000	CONTROL VALVE ASSEMBLY	1
9	C-8R-1A40000	DEMOUNTING HEAD ASSEMBLY	1
10	C-8A-1330000A	HANDLE CONTROLING VALVE	1
11	C-8P-1320000	PNEUMATIC SPRING	1
12	C-8P-1300002	HEXANGULAR LOCK PLATE	1
13	C-54-1300008	PRESS WASHER	1
14	C-71-1300005A	POSITIONING BLOCK	1
15	C-71-1300004	SPRING	2
16	C-71-1320000	LOCKING CYLINDER ASSY	1
17	C-8A-1300001	VERTICAL SHAFT COVER	1
18	C-8A-1300008	BUSHING	1
19	C-8R-1300002	SHOCK ABSORBER WASHER	1
20	C-71-1000029	INNER HEXA FLAT TERMINUS SET SCREW	1
21	C-77-1000006	PROTECTIVE HOOD LOCK BUSHING	2
22	C-8R-1A00006	PROTECTIVE COVER	1
23	GB818-M6×40-H	CROSS PANHEAD SCREW	2
24	GB93-10	STANDARD SPRING WASHER	2
25	GB5783-M10×25-12.9	HEXANGULAR BOLT	1
26	GB70.1-M6×10	INNER HEXA CYLINDRICAL SCREW	2
27	GB95-8	FLAT WASHER	2
28	GB70.1-M8×20	INNER HEXA CYLINDRICAL SCREW	1
29	GB6173-M10×1.0	HEXA THIN NUT	1
30	GB70.2-M8×35	INNER HEXA CYLINDRICAL ROUND HEAD SCREW	1
31	GB889.1-M8	1-TYPE PREVAILING TORQUE TYPE HEXAGON LOCK NUT	2
32	GB93-8	STANDARD SPRING WASHER	1
33	GB5783-M8×30	HEXANGULAR BOLT	1
34	GB70.1-M6×16	INNER HEXA CYLINDRICAL SCREW	4
35	GB70.1-M8×55	INNER HEXA CYLINDRICAL SCREW	1
36	GB95-6	FLAT WASHER	1
37	GB70.1-M6×20	INNER HEXA CYLINDRICAL SCREW	1
38	GB95-4	FLAT WASHER	4
39	GB70.1-M4×40	INNER HEXA CYLINDRICAL SCREW	1
40	GB889.1-M4	1-TYPE PREVAILING TORQUE TYPE HEXAGON LOCK NUT	1

C-8R-1A00000

ITEM	PART. No	DESCRIPTION.	QT. Y
41	GB70. 1-M10×85	INNER HEXA CYLINDRICAL SCREW	1
42	GB6172. 1-M10	HEXANGULAR THIN NUT	1
43	GB889. 1-M10	1-TYPE PREVAILING TORQUE TYPE HEXAGON LOCK NUT	2
44	GB70. 1-M5×30	INNER HEXA CYLINDRICAL SCREW	1
45	GB889. 1-M5	1-TYPE PREVAILING TORQUE TYPE HEXAGON LOCK NUT	1
46	GB70. 1-M4×30	INNER HEXA CYLINDRICAL SCREW	2
47	6522 4-M5	MALE ELBOW	1
48	FPE 6	UNION TEE	1

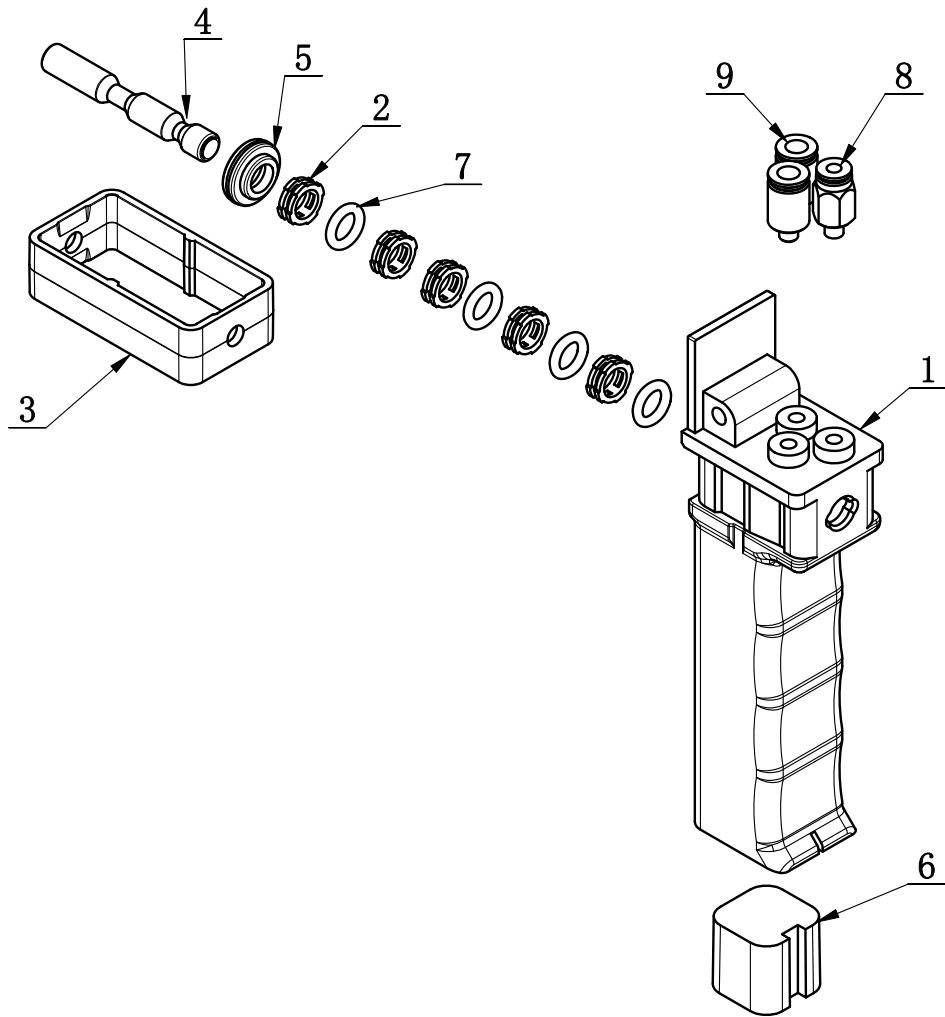


C-71-1320000



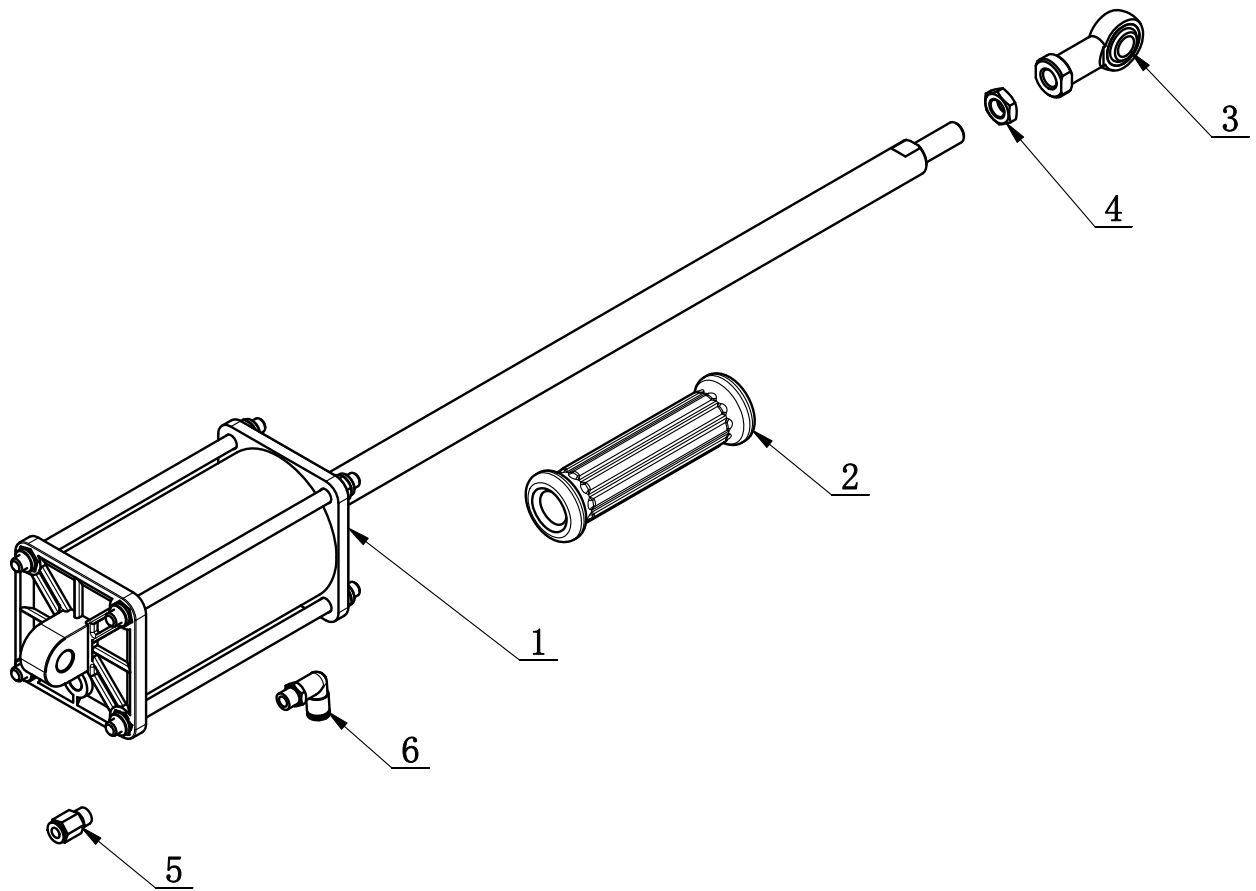
ITEM	PART. No	DESCRIPTION.	QT. Y
1	C-71-1320001	LOCK TURNTABLE CYLINDER HEAD	1
2	C-71-1320002	LOCK CYLINDER BODY	1
3	C-71-1320003	Y-RING	1
4	GB70. 1-M6×35	INNER HEXA CYLINDRICAL SCREW	2
5	GB3452. 1-6×1.8-G	HYDRAULIC-PNEUMATIC RUBBER O-RING G TYPE	2
6	PBS 6-01	MALE BRANCH TEE NUT	1

C-8A-1330000A



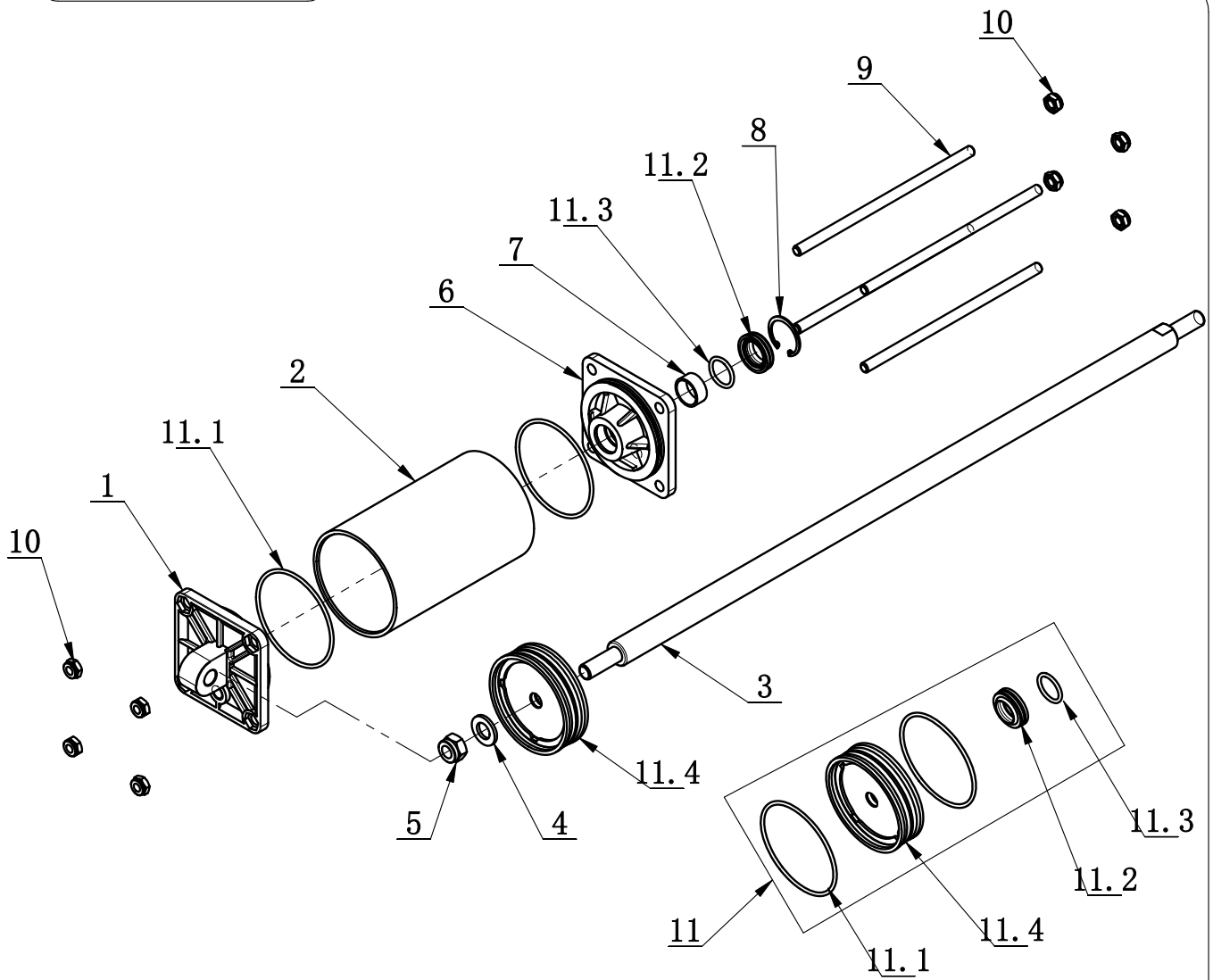
ITEM	PART. No	DESCRIPTION.	QT. Y
1	C-8A-1330010	HANDLE CONTROL VALVE BODY	1
2	C-8A-1330011	VALVE SPACER	5
3	C-8A-1330012	GUIDE RING	1
4	C-8A-1330013	VALVE ROD	1
5	C-71-1330006	FRONT SEALING COVER	1
6	C-8A-1330008	SQUARE BLOCK	1
7	GB3452. 1-8×2. 65-A	HYDRAULIC-PNEUMATIC RUBBER O-RING A TYPE	4
8	FPC 4-M5	MALE STRAIGHT	1
9	MFPC 6-M5	MINI MALE STRAIGHT	2

C-8R-1A20000



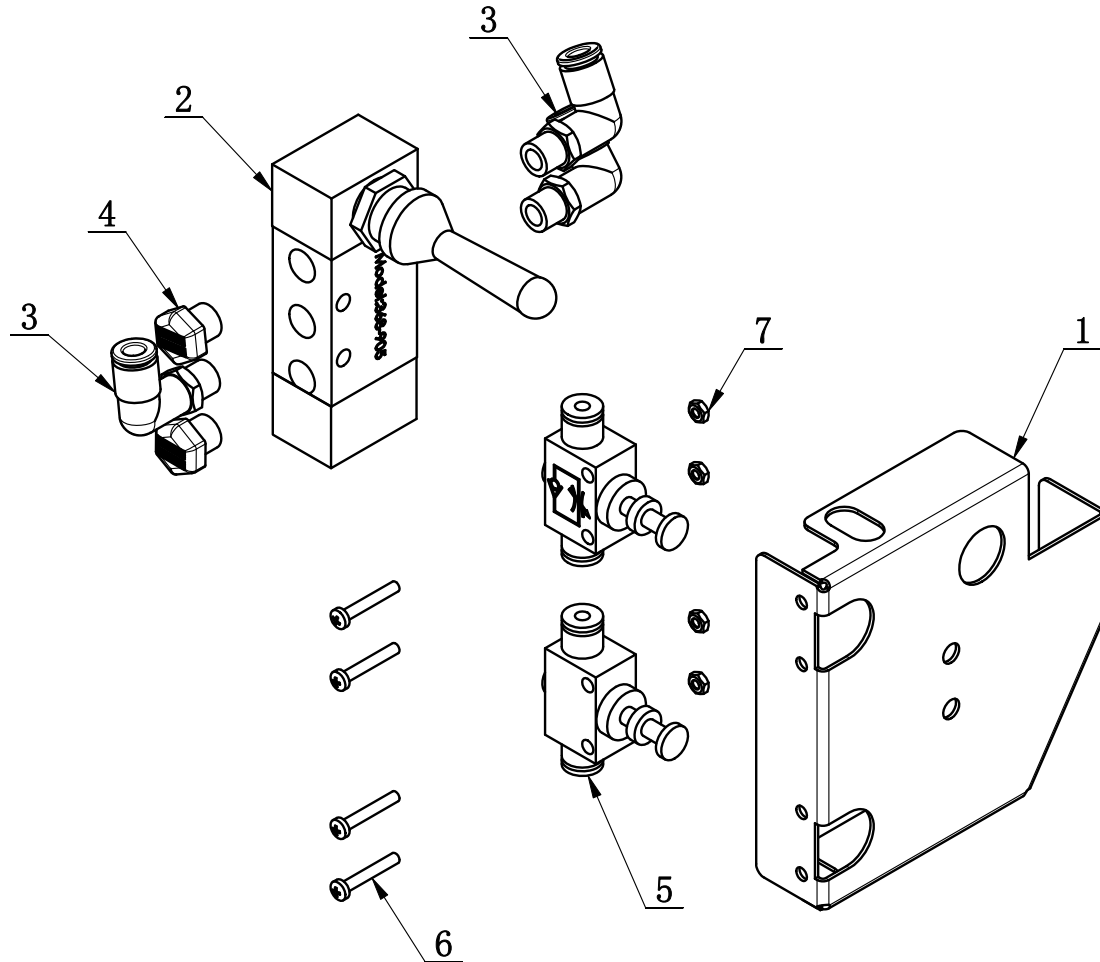
ITEM	PART. No	DESCRIPTION.	QT. Y
1	C-8R-1A21000	CYLINDER	1
2	C-8R-1A20001	RUBBER SLEEVE	1
3	CT-XD-1000007	BEARING JOINTS	1
4	GB6172. 1-M12	HEXANGULAR THIN NUT	1
5	FPC 6-01	MALE STRAIGHT	1
6	FPL 6-01	MALE ELBOW	1

C-8R-1A21000

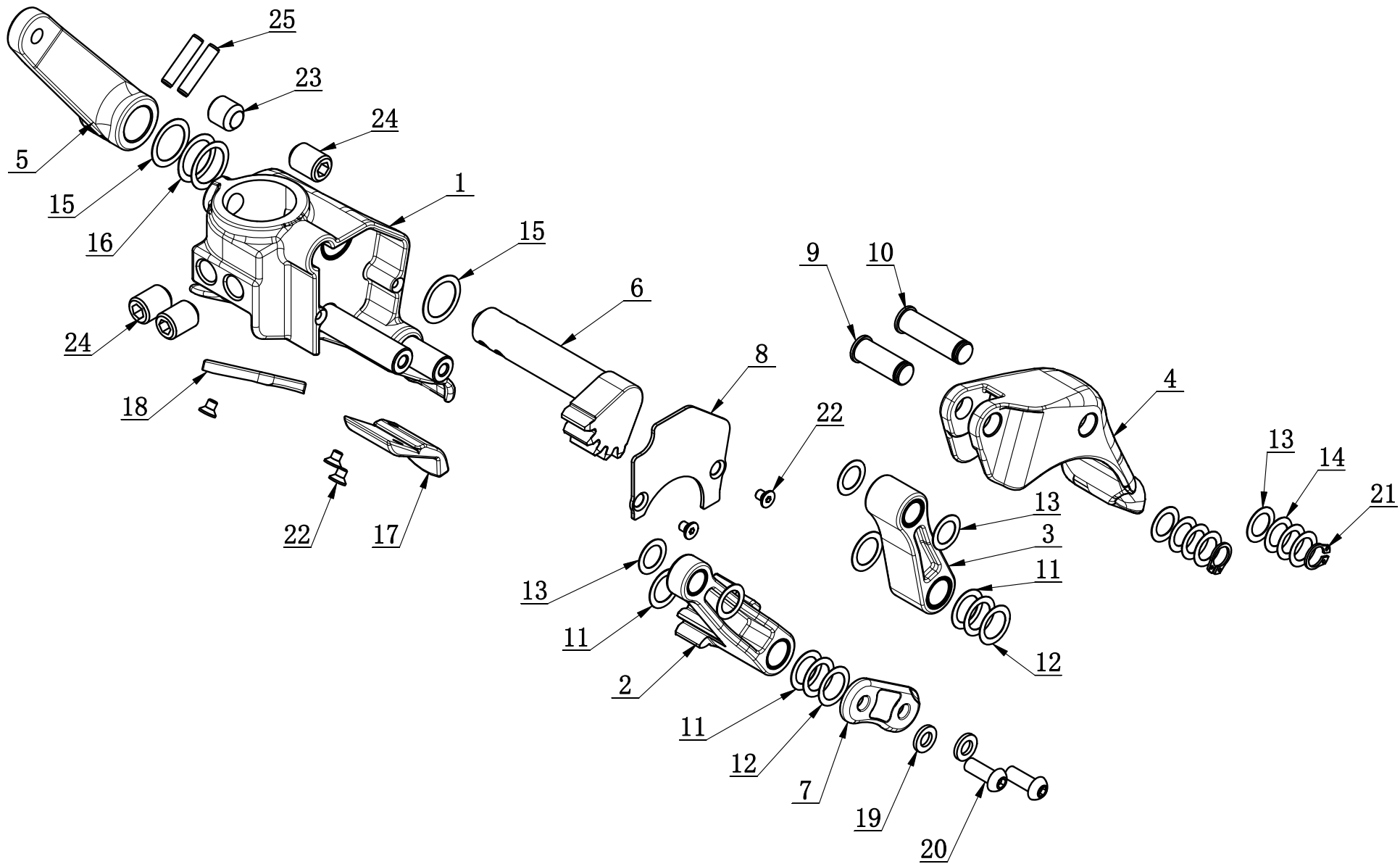


ITEM	PART. No	DESCRIPTION.	QT. Y
1	CT-Y-4120005	CAP-BASE, CYLNR	1
2	C-8A-1411001	CYLINDER BODY	1
3	C-8R-1A21001	PISTON ROD	1
4	GB95-12	FLAT WASHER	1
5	GB889. 1-M12	1- TYPE PREVAILING TORQUE TYPE HEXAGON LOCK NUT	1
6	CT-Y-4120004	CYLINDER FRONT COVER	1
7	GB12613-23×20×10	BEARING-SLIDE	1
8	GB893. 1-30	ELASTIC RETAINING RING A-TYPE	1
9	C-8R-1A21002	BOLT	4
10	GB889. 1-M8	1-TYPE PREVAILING TORQUE TYPE HEXAGON LOCK NUT	8
11	CT-Y-4121000	CYLINDER SEALING PARTS ASSEMBLY	1
11.1	GB3452. 1-75×2. 65-G	HYDRAULIC-PNEUMATIC RUBBER O-RING G TYPE	2
11.2	CT-Y-0160007	SEAL-ROD, CYLNR	1
11.3	GB3452. 1-20×2. 65-G	HYDRAULIC-PNEUMATIC RUBBER O-RING G TYPE	1
11.4	CT-Y-4120006	PISTON	1

C-8R-1A30000



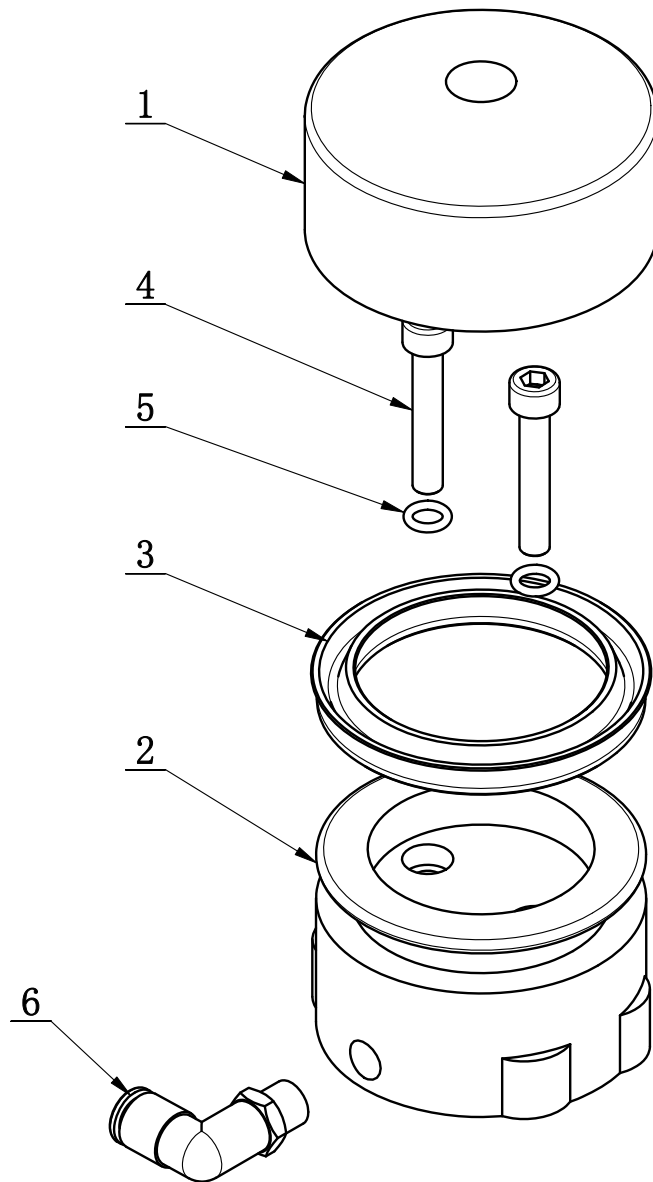
ITEM	PART. No	DESCRIPTION.	QT. Y
1	C-8R-1A30001	HANDLE VALVE COVER	1
2	C-8A-1430001	CONTROL VALVE	1
3	FPL 6-01	MALE ELBOW	3
4	FSSL 1 / 8	PARTICLE SILENCER	2
5	FPAC 4	SPEED ADJUSTMENT JOINT	2
6	GB818-M3×20-H	CROSS PANHEAD SCREW	4
7	GB6170-M3	HEXANGULAR NUT 1-TYPE	4



## C-8R-1A40000

ITEM	PART. No	DESCRIPTION.	QT. Y
1	C-8R-1A41000	DEMOUNTING HEAD	1
2	C-8R-1A42000	GEAR LINKAGE ROD	1
3	C-8R-1A43000	LINKAGE ROD	1
4	C-8R-1A40001	DEMOUNTING HOOK	1
5	C-8R-1A40002	CYLINDER LINKAGE ROD	1
6	C-8R-1A40003	GEAR SHAFT	1
7	C-8R-1A40004	PRESSURE PAD	1
8	C-8R-1A40005	COVER	1
9	C-8R-1A40008	SHAFT A	1
10	C-8R-1A40009	SHAFT B	1
11	C-8R-1A40010	ADJUST WASHER 12.5×18×0.3	4
12	C-8R-1A40010A	ADJUST WASHER 12.5×18×0.2	4
13	C-8R-1A40011	ADJUST WASHER 10.5×16×0.3	6
14	C-8R-1A40011A	ADJUST WASHER 10.5×16×0.2	6
15	C-8R-1A40012	ADJUST WASHER 16.5×22×0.3	2
16	C-8R-1A40012A	ADJUST WASHER 16.5×22×0.2	2
17	C-8R-1A40013	SHEATH	1
18	C-8R-1A40014	PROTECTIVE PAD	1
19	GB95-6	FLAT WASHER	2
20	GB70. 2-M6×16	INNER HEXA CYLINDRICAL ROUND HEAD SCREW	2
21	GB894. 1-10	SHAFT ELATIC BIG RETAINING RING A-TYPE	2
22	GB70. 3-M4×6	INNER COUNTERSUNK SCREW	5
23	GB80-M12×12	INNER HEXA RECESSED TERMINUS SET SCREW	1
24	GB80-M12×16	INNER HEXA RECESSED TERMINUS SET SCREW	3
25	GB119. 1-5×24	CYLINDRICAL PIN	2

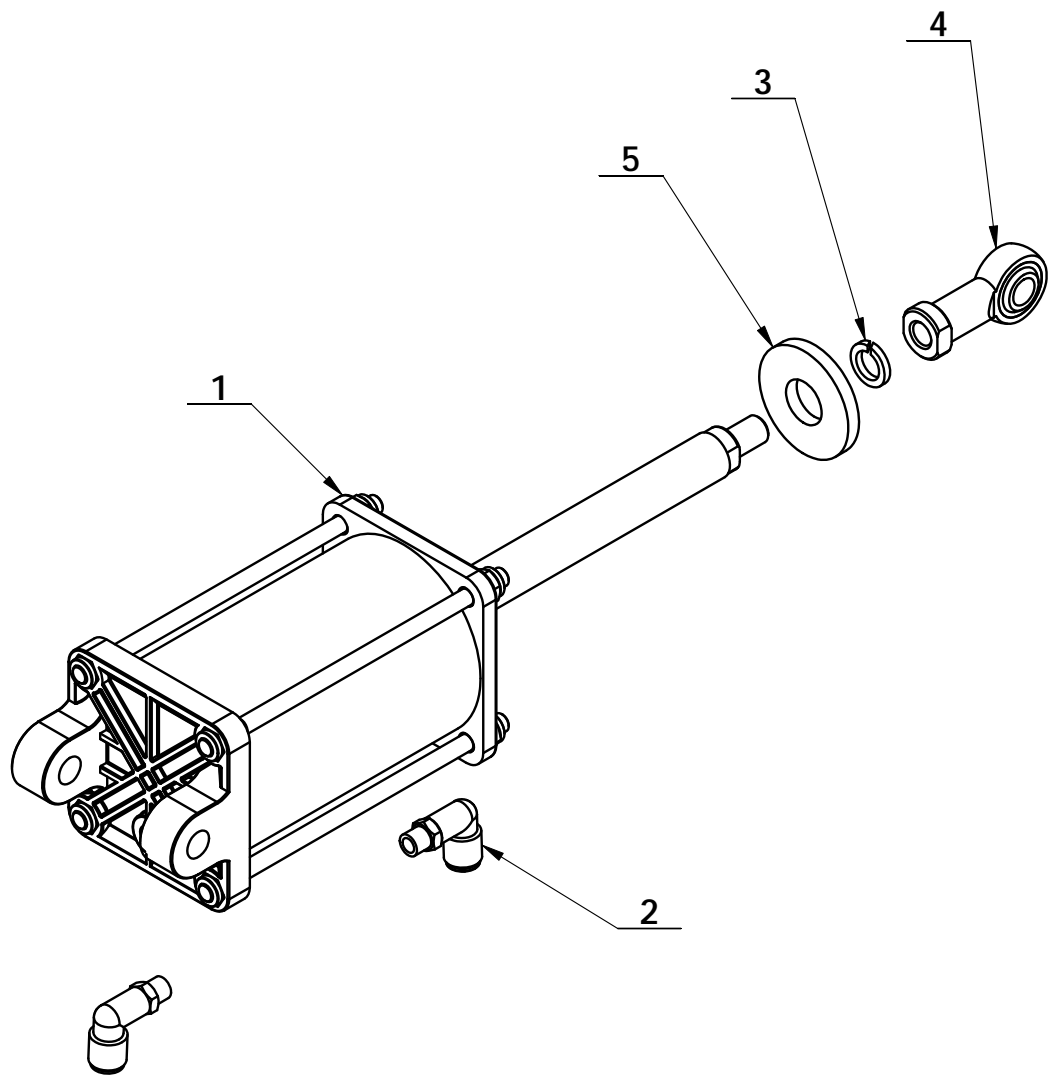
C-77-1500000



ITEM	PART. No	DESCRIPTION.	QT. Y
1	C-71-1320001	LOCK TURNTABLE CYLINDER HEAD	1
2	C-71-1320002	LOCK CYLINDER BODY	1
3	C-71-1320003	Y-RING	1
4	GB70. 1-M6×35	INNER HEXA CYLINDRICAL SCREW	2
5	GB3452. 1-6×1.8-G	HYDRAULIC-PNEUMATIC RUBBER O-RING G TYPE	2
6	FPL 6-01	MALE ELBOW	1

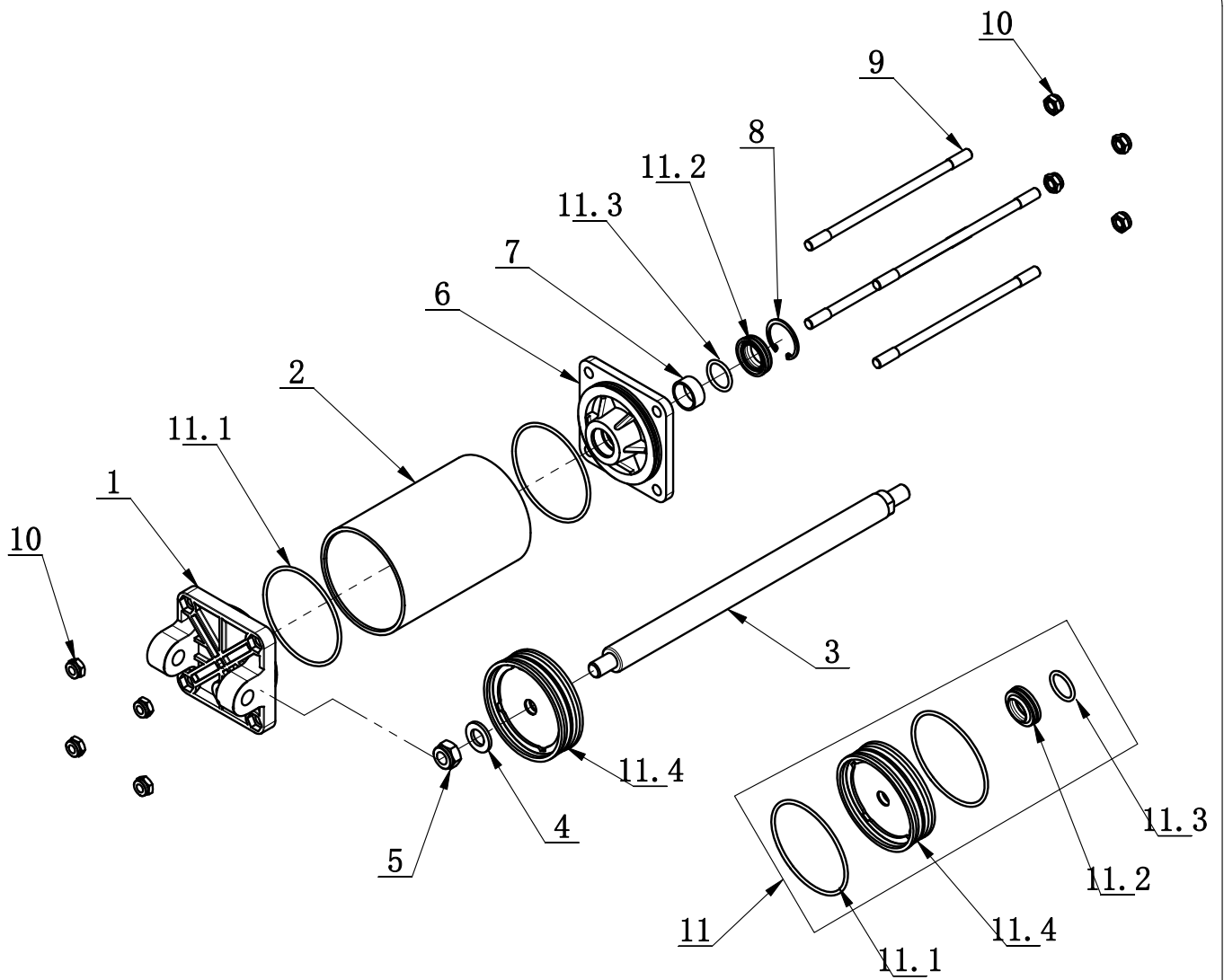


CT-XD-1000000A

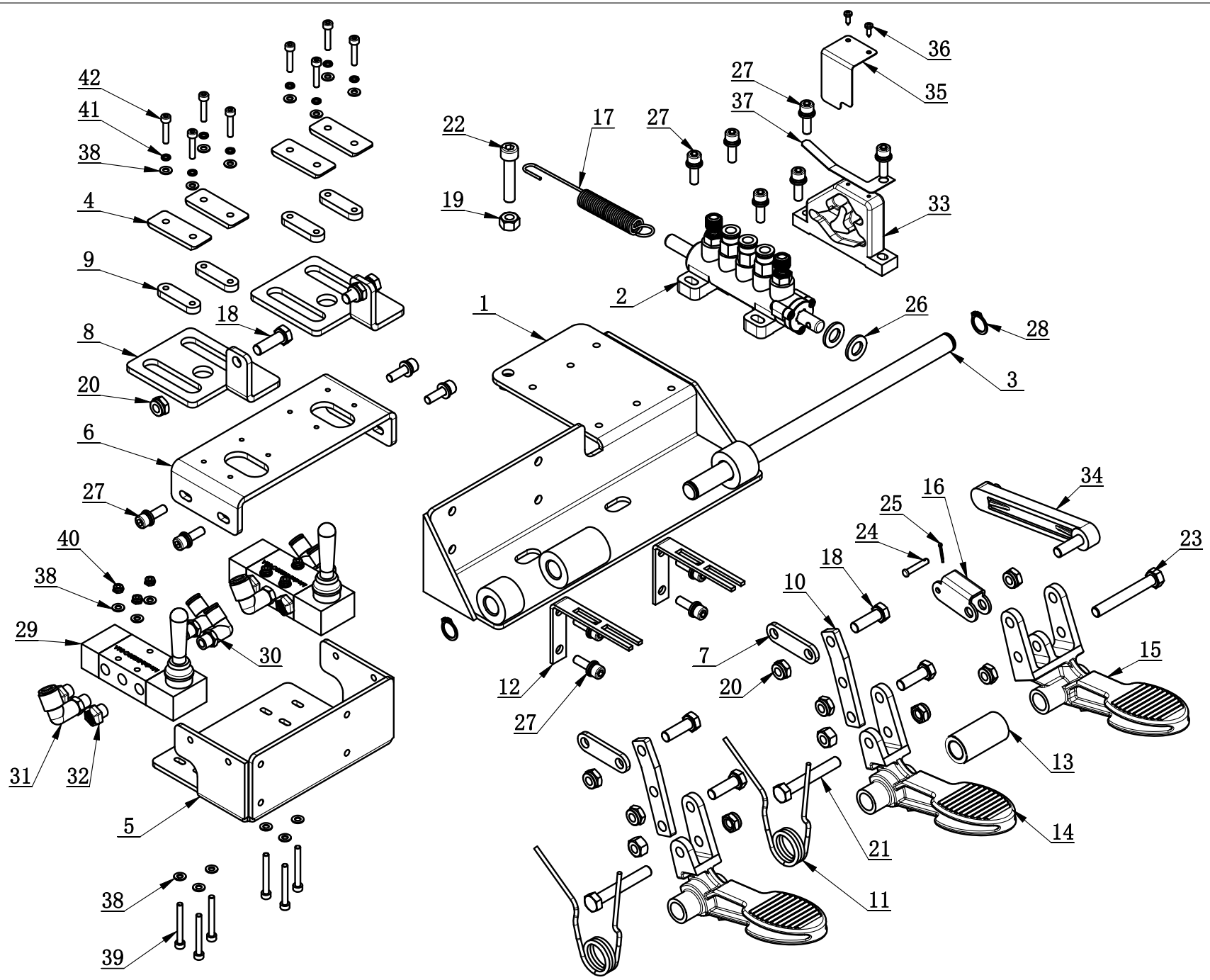


ITEM	PART. No	DESCRIPTION.	QT. Y
1	CT-XD-1200000	PULL-OUT CYLINDER	1
2	FPL 8-01	INSERT ELBOW $\Phi 8$ , R1/8	2
3	GB93-12	STANDARD SPRING WASHER	1
4	CT-XD-1000007	BEARING JOINTS	1
5	H-12-1000001	FELT WASHER	1

CT-XD-1200000

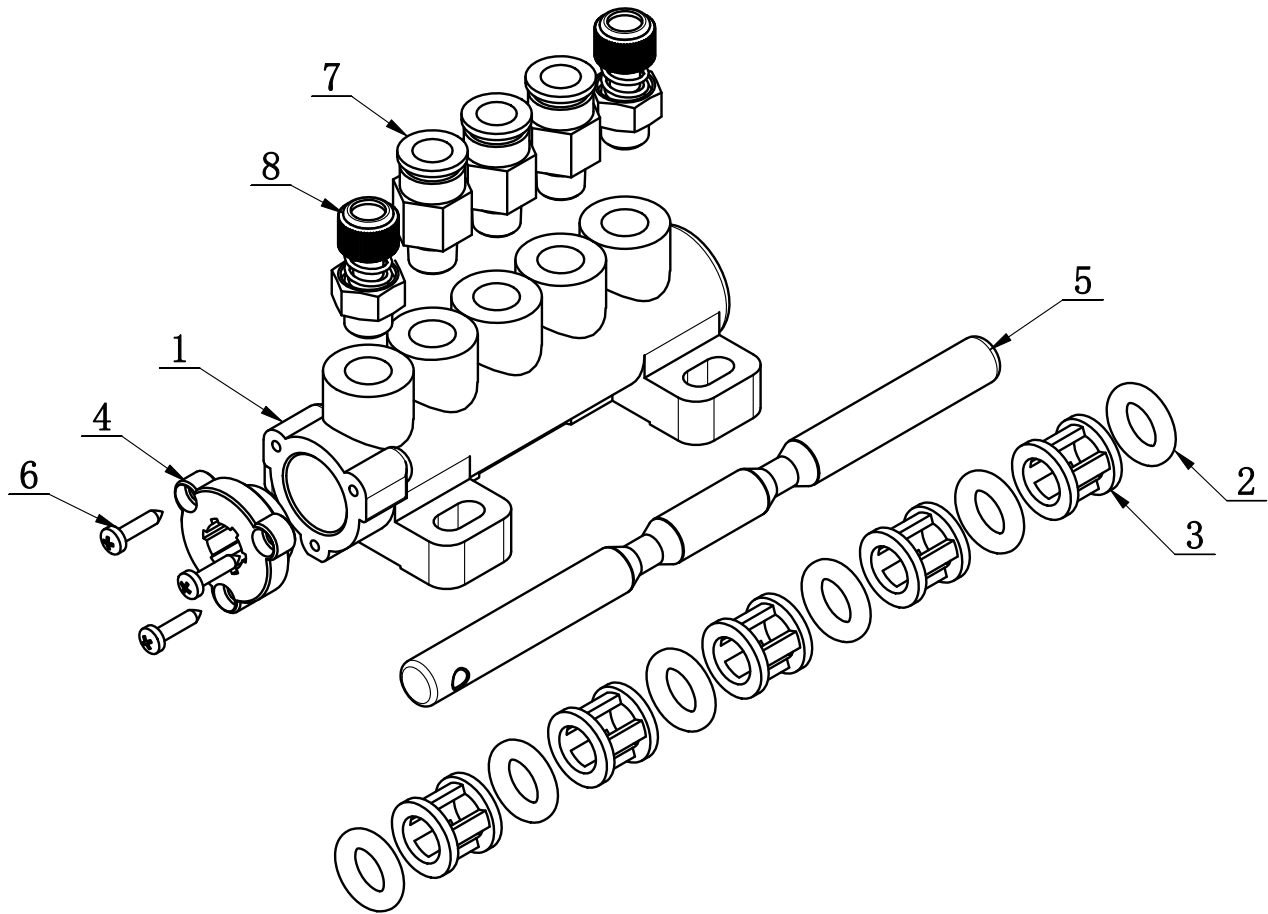


ITEM	PART. No	DESCRIPTION.	QT. Y
1	CT-XD-1000005	CYLINDER REAR COVER	1
2	CT-XD-1000001	CYLINDER BODY	1
3	CT-XD-1200001	SHAFT-CLYNDR	1
4	GB95-12	FLAT WASHER	1
5	GB889. 1-M12	1- TYPE PREVAILING TORQUE TYPE HEXAGON LOCK NUT	1
6	CT-Y-4120004	CYLINDER FRONT COVER	1
7	GB12613-23×20×10	BEARING-SLIDE	1
8	GB893. 1-30	ELASTIC RETAINING RING A-TYPE	1
9	CT-XD-1000003	BARS	4
10	GB889. 1-M8	1-TYPE PREVAILING TORQUE TYPE HEXAGON LOCK NUT	8
11	CT-Y-4121000	CYCLINDER SEALING PARTS ASSEMBLY	1
11.1	GB3452. 1-75×2. 65-G	HYDRAULIC-PNEUMATIC RUBBER O-RING G TYPE	2
11.2	CT-Y-0160007	SEAL-ROD, CYLNDR	1
11.3	GB3452. 1-20×2. 65-G	HYDRAULIC-PNEUMATIC RUBBER O-RING G TYPE	1
11.4	CT-Y-4120006	PISTON	1

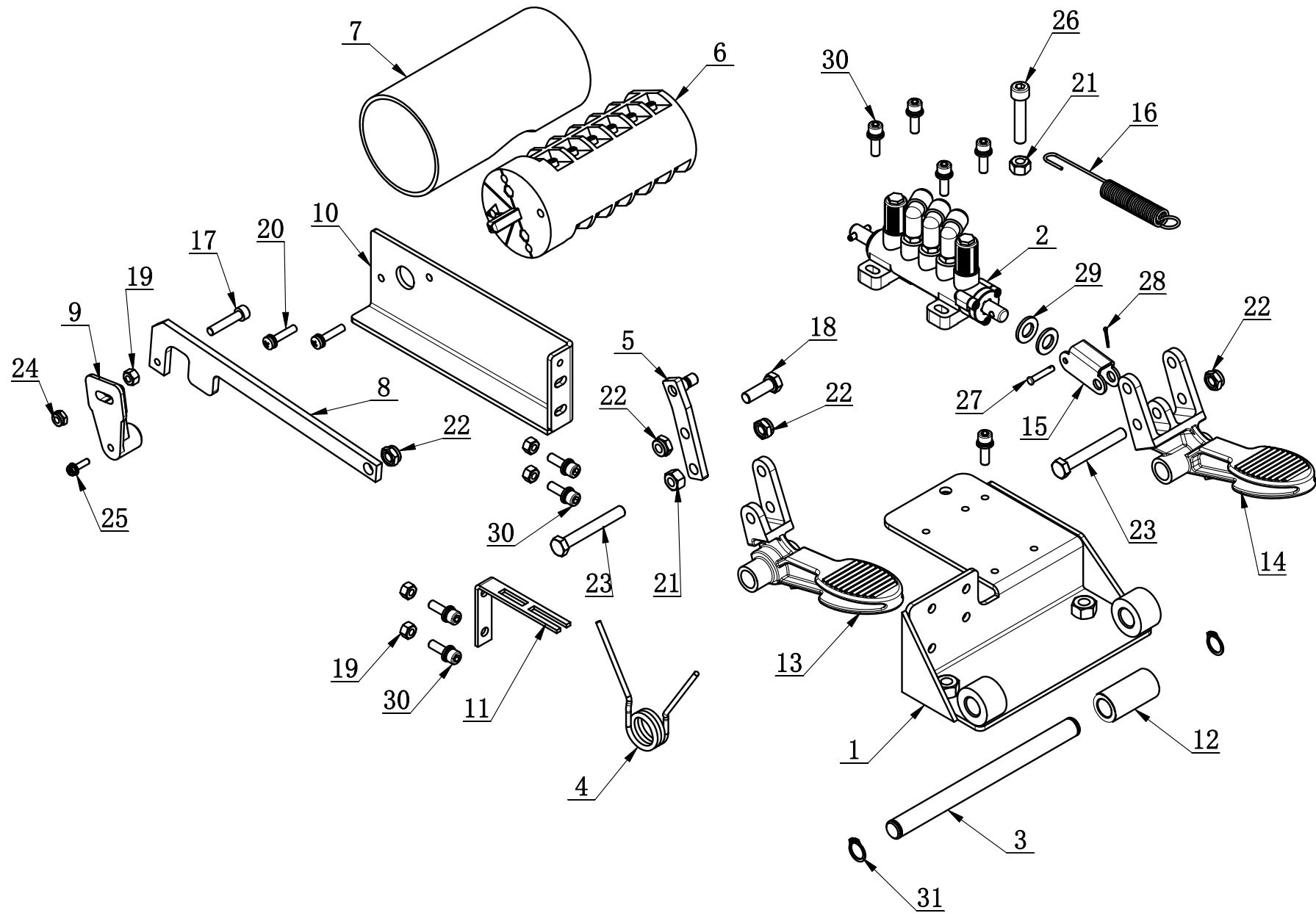


C-97-1200000B

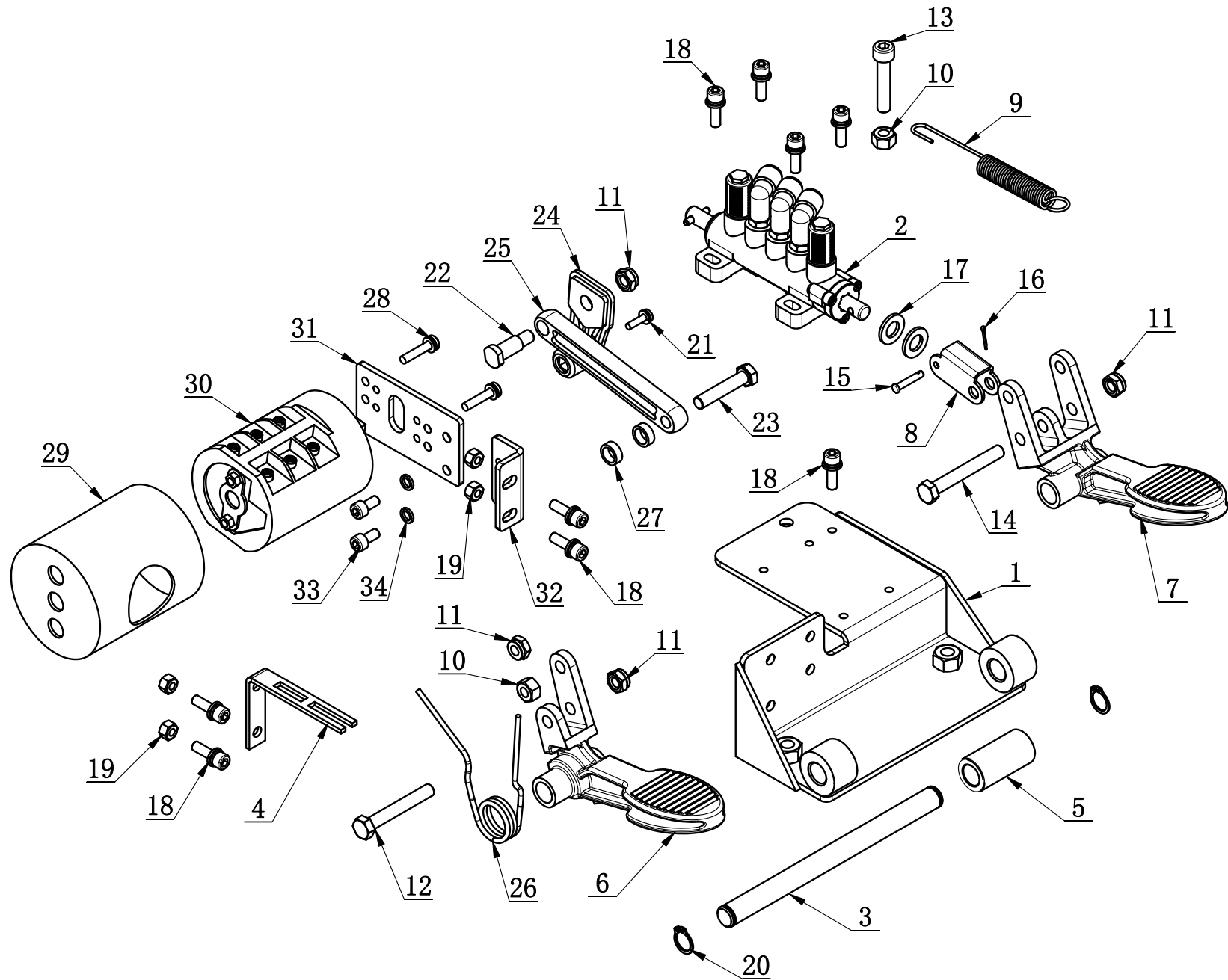
ITEM	PART. No	DESCRIPTION.	QT. Y
1	C-97-1210000B	PEDAL BRACKET	1
2	C-97-1220000	VALVE	1
3	C-97-1200001A	BOTTOM SHAFT	1
4	C-97-1200005	COVER PLATE	4
5	C-97-1200007	VALVE SUPPORT PLATE	1
6	C-97-1200008	VALVE COVER	1
7	C-97-1200009	CONNECTING PLATE	2
8	C-97-1200010	GUIDE PLATE	2
9	C-97-1200011	GUIDE BLOCK	4
10	C-97-1200012	BRACKET PLATE	2
11	CT-D-2100002	TORSION SPRING	2
12	CT-D-2100010	TORSION SPRING BRACKET	2
13	CT-D-2100001	SPACER	1
14	CT-D-5100002	PEDAL	2
15	CT-D-5100003	PEDAL	1
16	CT-D-5100005	CONNECTION PART	1
17	CT-D-5100007	SPRING	1
18	GB5783-M8×25	HEXANGULAR BOLT	6
19	GB41-M8	HEXANGULAR NUT	3
20	GB889. 1-M8	1-TYPE PREVAILING TORQUE TYPE HEXAGON LOCK NUT	10
21	GB5782-M8×55	HEXANGULAR BOLT	2
22	GB70. 1-M8×40	INNER HEXA CYLINDRICAL SCREW	1
23	GB5782-M8×60	HEXANGULAR BOLT	1
24	GB882-4×22	PIN SHAFT	1
25	GB91-1. 6×10	SLOTTED PIN	1
26	GB95-10	FLAT WASHER	2
27	GB9074-M6×20	COMBINATION SCREW	14
28	GB894. 1-14	SHAFT ELATIC BIG RETAINING RING A-TYPE	2
29	4H230-06A	CONTROL VALVE	2
30	FPL 6-01	MALE ELBOW	4
31	FPL 8-01	INSERT ELBOW Φ8, R1/8	2
32	FSSL 1 / 8	PARTICLE SILENCER	4
33	CT-D-1100009B	CAM	1
34	CT-D-1100008	CAM CONNECTING ROD	1
35	CT-D-1100011A	CAM BAFFLE PLATE	1
36	GB845-ST2. 9×9. 5 H C	CROSS PANHEAD TAPPING SCREW	2
37	CT-D-2100004	FORK SPRING PLATE	1
38	GB95-4	FLAT WASHER	20
39	GB70. 1-M4×35	INNER HEXA CYLINDRICAL SCREW	6
40	GB889. 1-M4	1-TYPE PREVAILING TORQUE TYPE HEXAGON LOCK NUT	6
41	GB93-4	STANDARD SPRING WASHER	8
42	GB70. 1-M4×20	INNER HEXA CYLINDRICAL SCREW	8



ITEM	PART. No	DESCRIPTION.	QT. Y
1	CT-D-1110001	VALVE BODY	1
2	CT-D-1110003	O-RING	6
3	CT-D-1110004	SPACER	5
4	CT-D-1110005	VALVE CAP	1
5	CT-D-2600003	VALVE ROD	1
6	GB845-ST2.9×13 H C	CROSS PANHEAD TAPPING SCREW	3
7	FPC 8-01	MALE STRAIGHT	3
8	FJSR 01	BRASS REGULATOR SILENCER	2

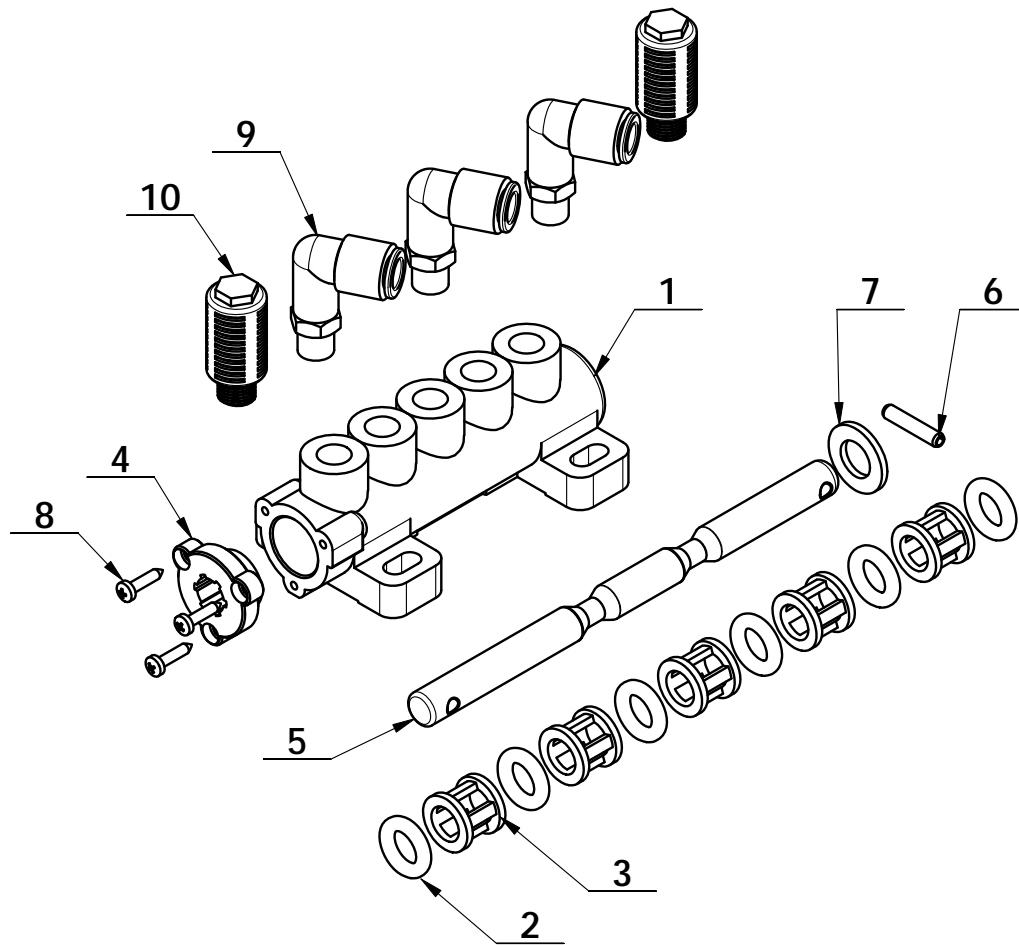


ITEM	PART. No	DESCRIPTION.	QT. Y
1	C-97-1310000	PEDAL BRACKET	1
2	C-97-1320000	VALVE	1
3	C-97-1200001	BOTTOM SHAFT	1
4	CT-D-7100001	TORSION SPRING	1
5	CT-D-7100004H	BRACKET PLATE	1
6	CT-D-7100007	SWITCH	1
7	CT-D-7100006	SWITCH COVER	1
8	CT-D-7100002	SWITCH CONNECTING PLATE	1
9	CT-D-7100008	REVERSE LEVER	1
10	CT-D-8100001	SWITCH BARCKET	1
11	CT-D-2100010	TORSION SPRING BRACKET	1
12	CT-D-2100001	SPACER	1
13	CT-D-5100002	PEDAL	1
14	CT-D-5100003	PEDAL	1
15	CT-D-5100005	CONNECTION PART	1
16	CT-D-5100007	SPRING	1
17	GB70. 1-M6×30	INNER HEXA CYLINDRICAL SCREW	1
18	GB5783-M8×25	HEXANGULAR BOLT	1
19	GB41-M6	HEXANGULAR NUT	5
20	GB9074. 4-M5×25	COMBINATION SCREW	2
21	GB41-M8	HEXANGULAR NUT	2
22	GB889. 1-M8	1-TYPE PREVAILING TORQUE TYPE HEXAGON LOCK NUT	4
23	GB5783-M8×60	HEXANGULAR BOLT	2
24	GB889. 1-M6	1-TYPE PREVAILING TORQUE TYPE HEXAGON LOCK NUT	1
25	GB9074. 13-M4×16	COMBINATION SCREW	1
26	GB70. 1-M8×40	INNER HEXA CYLINDRICAL SCREW	1
27	GB882-4×22	PIN SHAFT	1
28	GB91-1. 6×10	SLOTTED PIN	1
29	GB95-10	FLAT WASHER	2
30	GB9074-M6×20	COMBINATION SCREW	9
31	GB894. 1-14	SHAFT ELATIC BIG RETAINING RING A-TYPE	2



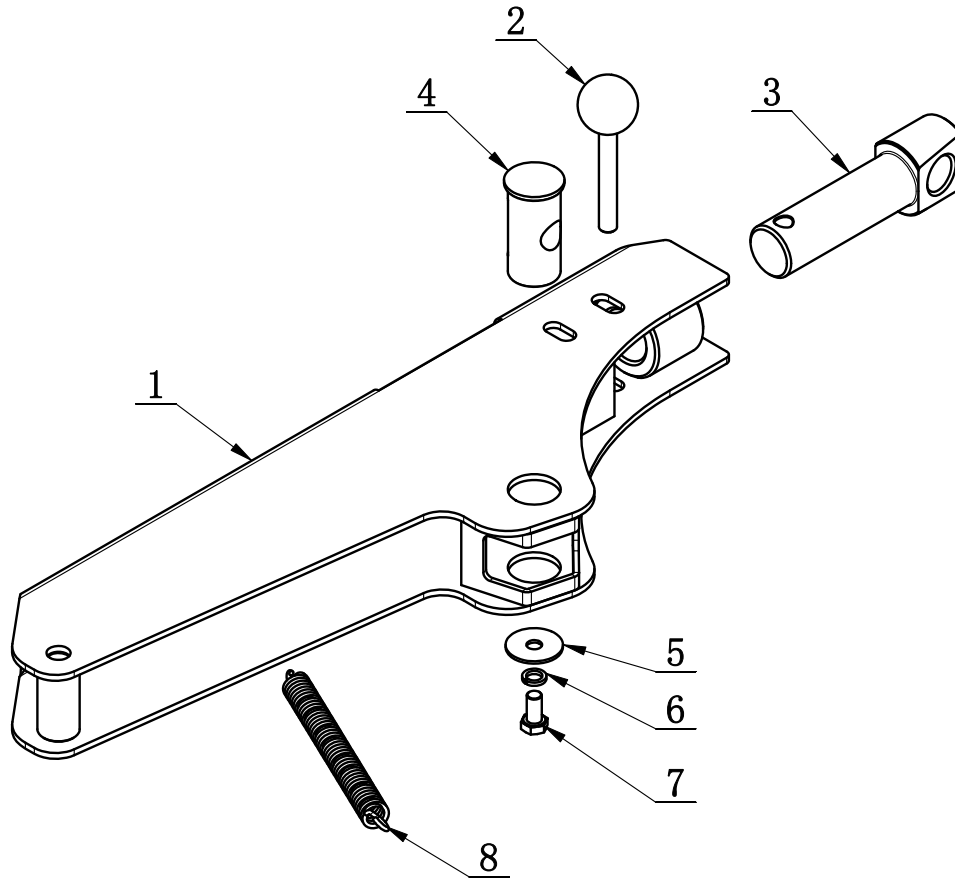


ITEM	PART. No	DESCRIPTION.	QT. Y
1	C-97-1310000	PEDAL BRACKET	1
2	C-97-1320000	VALVE	1
3	C-97-1200001	BOTTOM SHAFT	1
4	CT-D-2100010	TORSION SPRING BRACKET	1
5	CT-D-2100001	SPACER	1
6	CT-D-5100002	PEDAL	1
7	CT-D-5100003	PEDAL	1
8	CT-D-5100005	CONNECTION PART	1
9	CT-D-5100007	SPRING	1
10	GB41-M8	HEXANGULAR NUT	2
11	GB889. 1-M8	1-TYPE PREVAILING TORQUE TYPE HEXAGON LOCK NUT	4
12	GB5782-M8×55	HEXANGULAR BOLT	1
13	GB70. 1-M8×40	INNER HEXA CYLINDRICAL SCREW	1
14	GB5783-M8×60	HEXANGULAR BOLT	1
15	GB882-4×22	PIN SHAFT	1
16	GB91-1. 6×10	SLOTTED PIN	1
17	GB95-10	FLAT WASHER	2
18	GB9074-M6×20	COMBINATION SCREW	9
19	GB41-M6	HEXANGULAR NUT	4
20	GB894. 1-14	SHAFT ELATIC BIG RETAINING RING A-TYPE	2
21	GB9074. 4-M4×16	COMBINATION SCREW	1
22	CT-D-2100012	ROTATION SHAFT	1
23	GB5783-M8×40	HEXANGULAR BOLT	1
24	CT-D-1100010	REVERSE LEVER	1
25	CT-D-2100011	CONNECTION ROD	1
26	CT-D-2100002	TORSION SPRING	1
27	CT-D-2100005	SPACER	2
28	GB9074. 4-M5×25	COMBINATION SCREW	2
29	CT-D-1100014	SWITCH COVER	1
30	CT-D-1100018	SWITCH	1
31	CT-D-5100009A	SWITCH SUPPORT	1
32	CT-D-5100008	SWITCH SUPPORT	1
33	GB70. 1-M6×12	INNER HEXA CYLINDRICAL SCREW	2
34	GB93-6	STANDARD SPRING WASHER	2



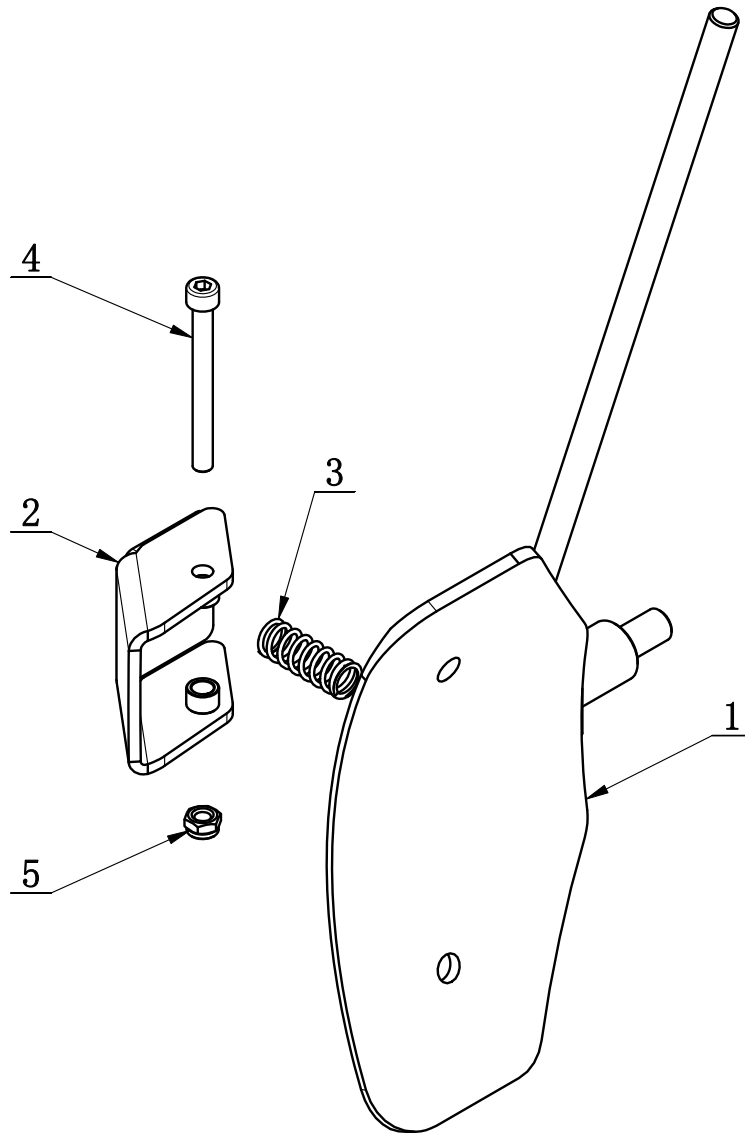
ITEM	PART. No	DESCRIPTION.	QT. Y
1	CT-D-1110001	VALVE BODY	1
2	CT-D-1110003	O-RING	6
3	CT-D-1110004	SPACER	5
4	CT-D-1110005	VALVE CAP	1
5	CT-D-2600001	VALVE ROD	1
6	GB879. 1-4×20	ELASTIC CYLINDRICAL PIN, HEAVY	1
7	GB95-10	FLAT WASHER	1
8	GB845-ST2. 9×13 H C	CROSS PANHEAD TAPPING SCREW	3
9	FPL 8-01	INSERT ELBOW Φ8, R1/8	3
10	FSK 01	PLASTIC PARTICLE SILENCER	2

CT-B-C000000A



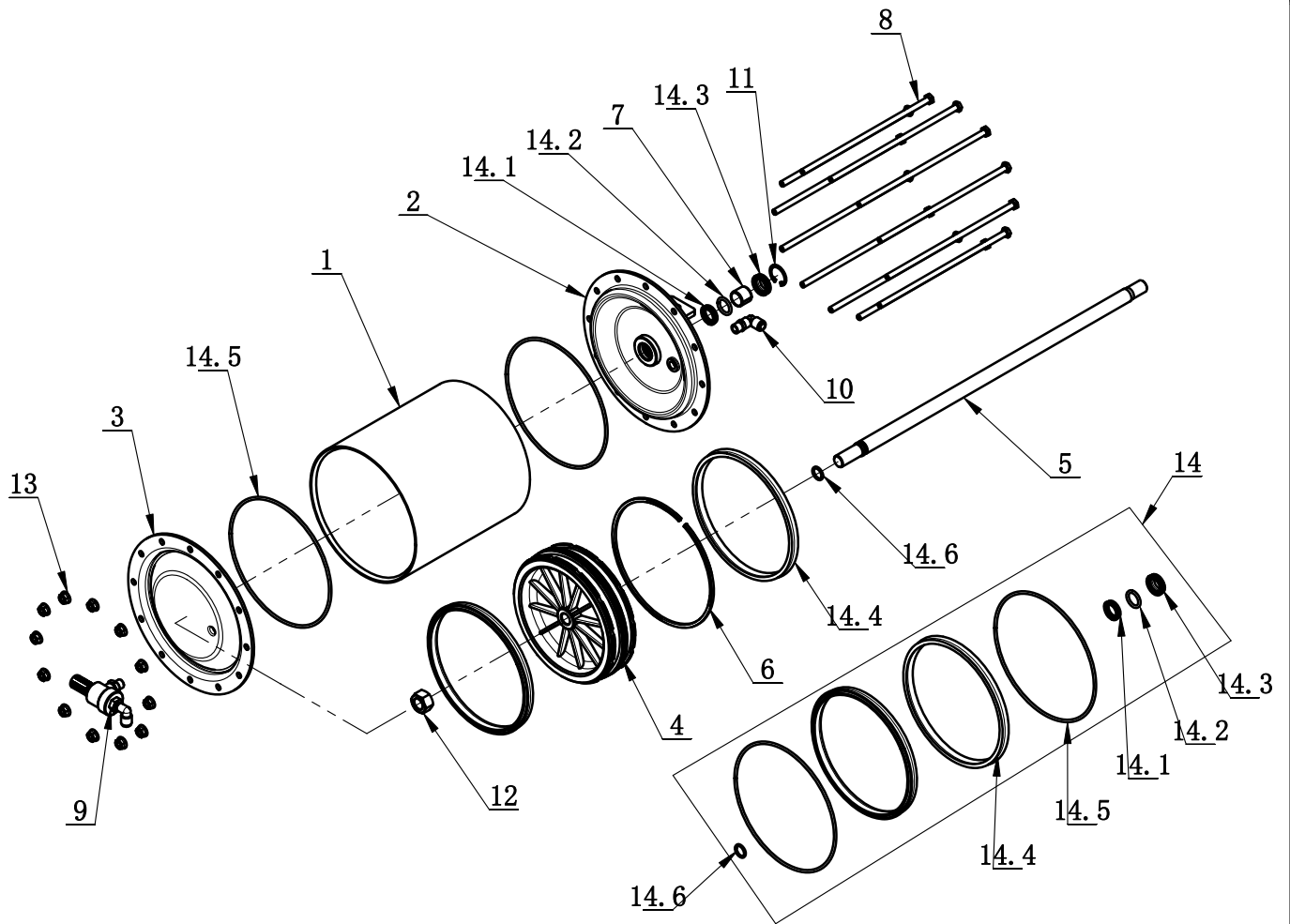
ITEM	PART. No	DESCRIPTION.	QT. Y
1	CT-B-C100000	BEAD BREAKER ARM	1
2	CT-B-A200000	PIN SHAFT	1
3	CT-B-A000001B	TURN ROD	1
4	CT-B-A000002	CONNECT ROD	1
5	CT-B-6000003	WASHER	1
6	GB93-10	STANDARD SPRING WASHER	1
7	GB5783-M10×20	HEXANGULAR BOLT	1
8	CT-B-1000008	SPRING	1

CT-C-2200000

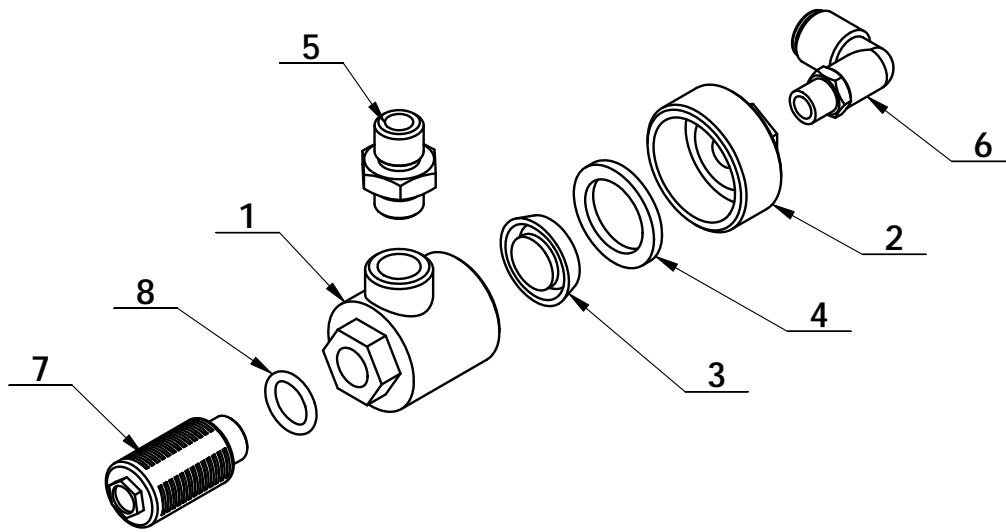


ITEM	PART. No	DESCRIPTION.	QT. Y
1	CT-C-2210000	BEAD BREAKER BLADE	1
2	CT-C-2220000	BRACKET	1
3	C-71-1000018	PRESS SPRING	1
4	GB70. 1-M8×80	INNER HEXA CYLINDRICAL SCREW	1
5	GB889. 1-M8	1-TYPE PREVAILING TORQUE TYPE HEXAGON LOCK NUT	1

CT-LS-G100000

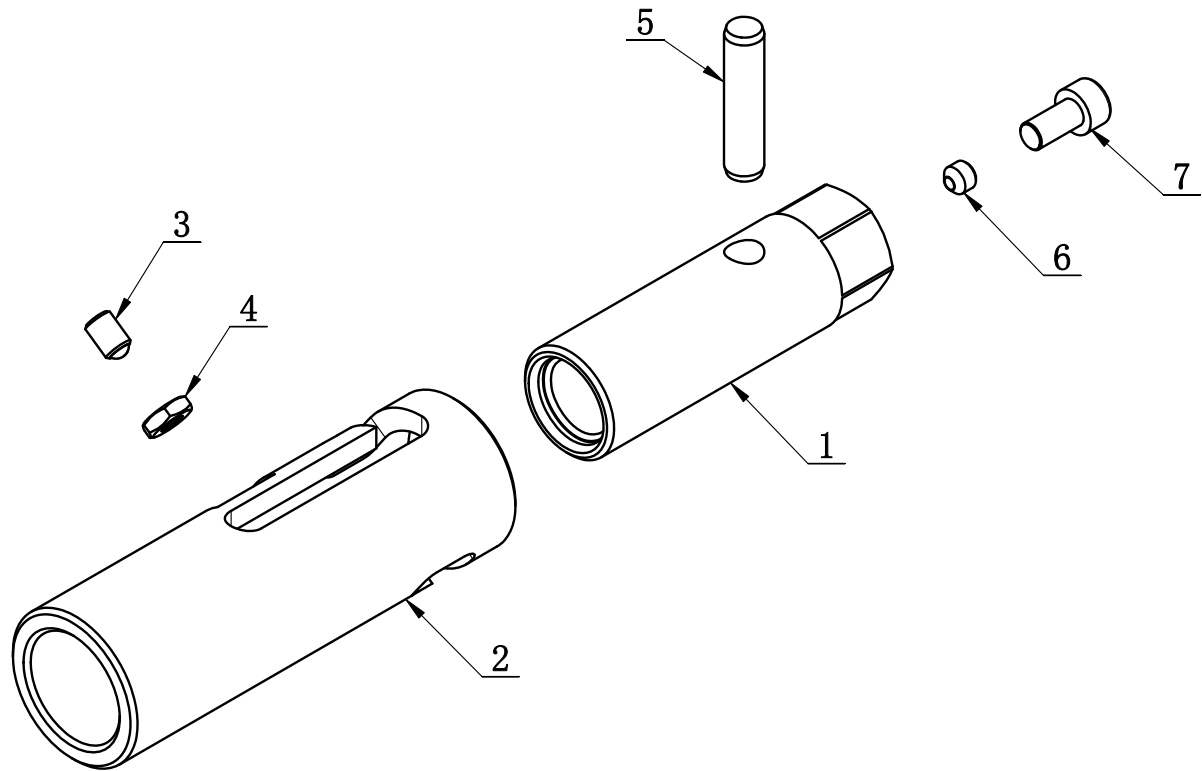


ITEM	PART. No	DESCRIPTION.	QT. Y
1	CT-LS-B100001	CYLINDER BLOCK	1
2	CT-LS-B110000	CYLINDER COVER	1
3	CT-LS-B100002	CYLINDER COVER	1
4	CT-LS-B100003	PISTON	1
5	CT-LS-G100001	CYLINDER PISTON ROD	1
6	CT-LS-B100005	CLAMP RING	1
7	TB-L-0303001	BERAING	1
8	CT-LS-B100007	BOLT	12
9	CT-LS-B120000	QUICK DEFLATE VALVE ON COVER	1
10	S6520 8-1-4	INSERT ELBOW $\Phi 8$ , R1/4	1
11	GB893. 2-30	ELASTIC RETAINING RING B-TYPE	1
12	GB6171- M18×1.5	NUT THIN TOOTH	1
13	GB6177. 1-M8	HEXA FLANGE NUT	12
14	CT-LS-B130000	CYLINDER SEALING PARTS ASSEMBLY	1
14.1	CT-LS-2400002	SEALING RING	1
14.2	GB3452. 1-20×3.55-G	HYDRAULIC-PNEUMATIC RUBBER O-RING G TYPE	1
14.3	CT-Y-0160007	SEAL-ROD, CYLNDR	1
14.4	CT-LS-B100008	Y-RING	2
14.5	GB3452. 1-195×3.55-G	HYDRAULIC-PNEUMATIC RUBBER O-RING G TYPE	2
14.6	GB3452. 1-15.5×2.65-G	HYDRAULIC-PNEUMATIC RUBBER O-RING G TYPE	1

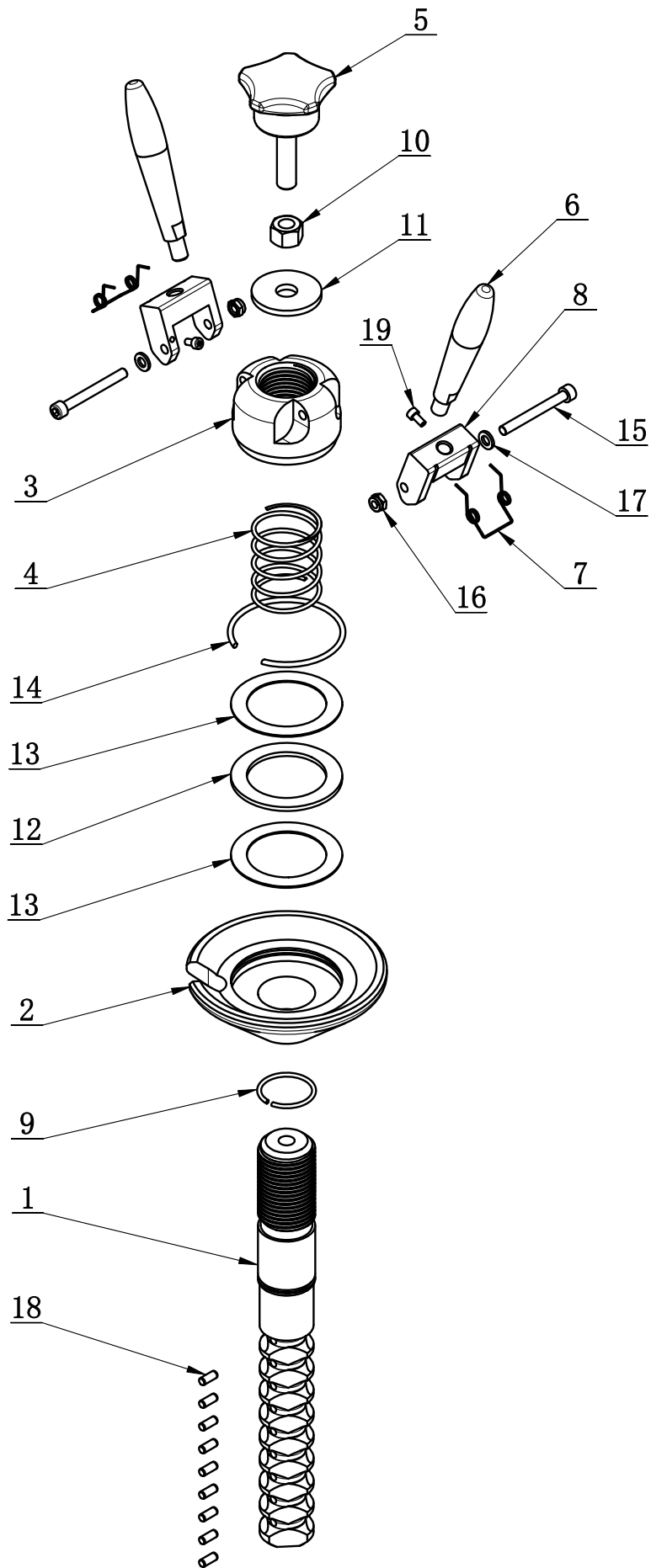


ITEM	PART. No	DESCRIPTION.	QT. Y
1	CT-LS-1310001	LOWER COVER OF QUICK DEFLATE VALVE	1
2	CT-LS-1310002	COVER OF QUICK DEFLATE VALVE	1
3	CT-LS-1310003	PISTON	1
4	CT-LS-1310004	RUBBER WASHER	1
5	CT-LS-1310005	DOUBLE SCREW G1/4	1
6	S6520 8-1-8	INSERT ELBOW $\Phi 8$ , R1/8	1
7	FSK 02	PLASTIC PARTICLE SILENCER	1
8	GB3452.1-12.8×2.65-G	HYDRAULIC-PNEUMATIC RUBBER O-RING G TYPE	1

C-5B-1400000A



ITEM	PART. No	DESCRIPTION.	QT. Y
1	C-5B-1400001	FIXED AXIS	1
2	C-5B-1400002A	REGULATE	1
3	C-5B-1400003	INNER HEXA FLAT TERMINUS SET SCREW	1
4	GB6172. 1-M6	HEXANGULAR THIN NUT	1
5	GB119. 1-8×35	CYLINDRICAL PIN	1
6	GB80-M6×5	INNER HEXA RECESSED TERMINUS SET SCREW	1
7	GB70. 1-M6×12	INNER HEXA CYLINDRICAL SCREW	1

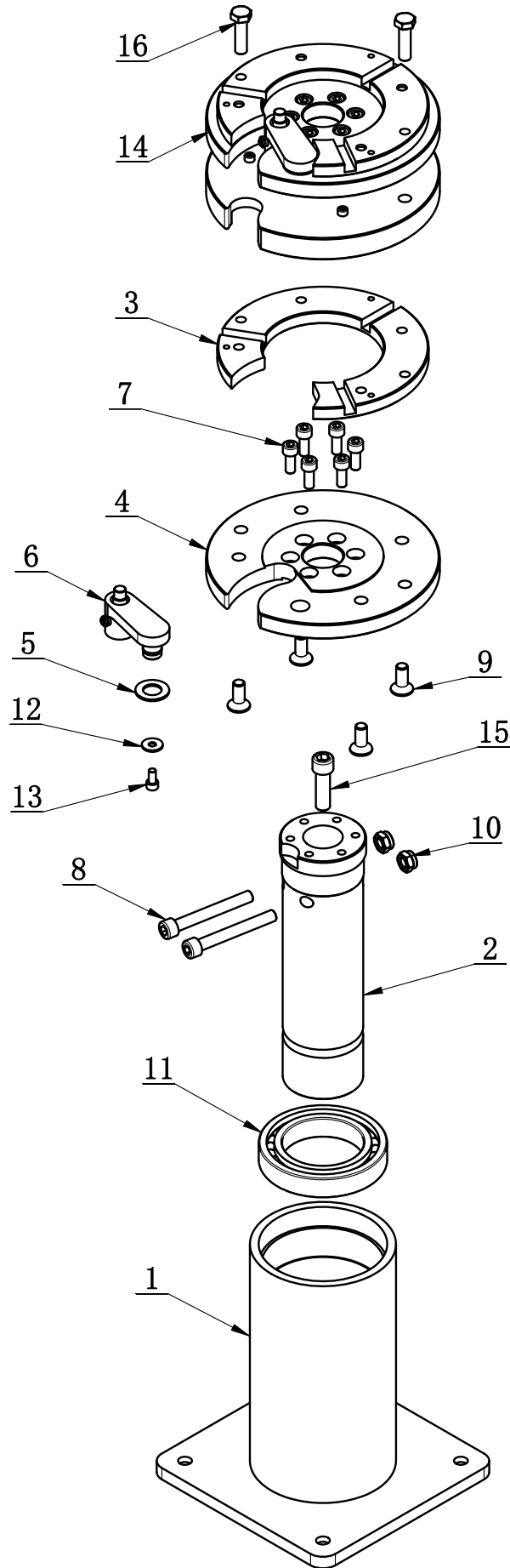




C-A1-11C0000

ITEM	PART. No	DESCRIPTION.	QT. Y
1	C-A1-11C0008	SCREW	1
2	C-A1-11C0002	CONE	1
3	C-A1-11C0003	NUT	1
4	C-A1-11C0004	SPRING	1
5	C-A1-11C0006	THE STAR HANDLE	1
6	C-A2-1120005	HANDLE	2
7	C-A2-1120007A	SPRING	2
8	C-97-1B00003	BASE	2
9	GB895. 2-35	SHAFT STEEL WIRE RETAINING RING	1
10	GB41-M12	HEXANGULAR NUT	1
11	GB5287-12	EXTREM LARGE WASHER C-GRADE	1
12	GB4650-AXK5070	THRUST NEEDLE CAGE AND COMPONENTS	1
13	GB4650-AS5070	THRUST WASHER	2
14	GB895. 1-70	STEEL WIRE RETAINING RING	1
15	GB70. 1-M6×55	INNER HEXA CYLINDRICAL SCREW	2
16	GB889. 1-M6	1-TYPE PREVAILING TORQUE TYPE HEXAGON LOCK NUT	2
17	GB95-6	FLAT WASHER	2
18	GB119. 1-5×12	CYLINDRICAL PIN	9
19	GB70. 1-M4×8	INNER HEXA CYLINDRICAL SCREW	2

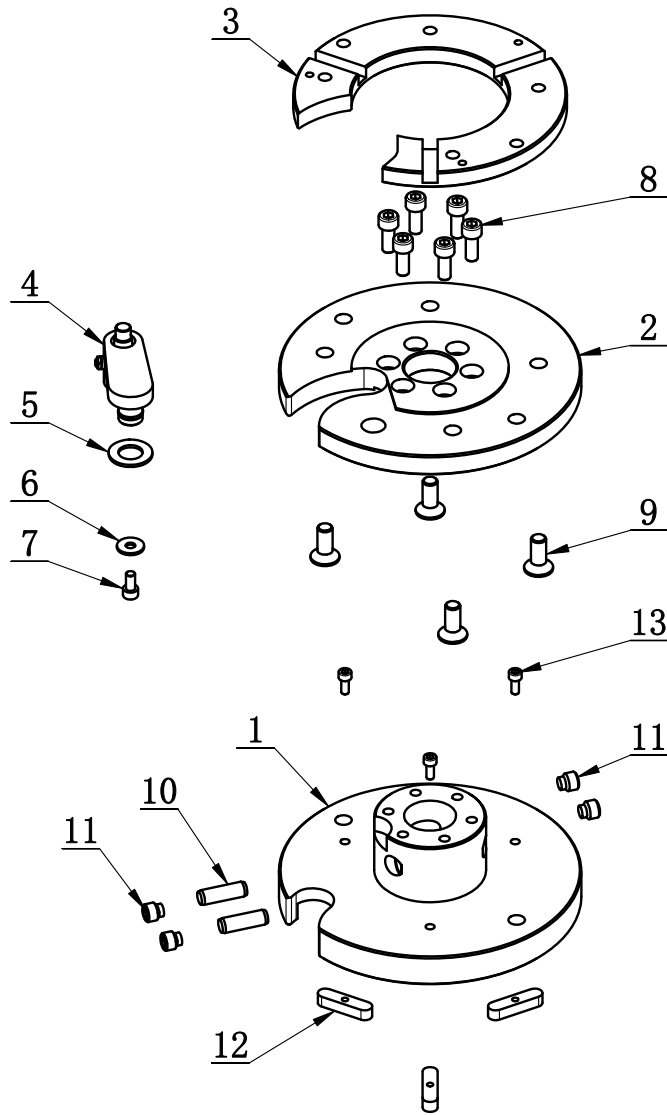
C-A2-11C0000



## C-A2-11C0000

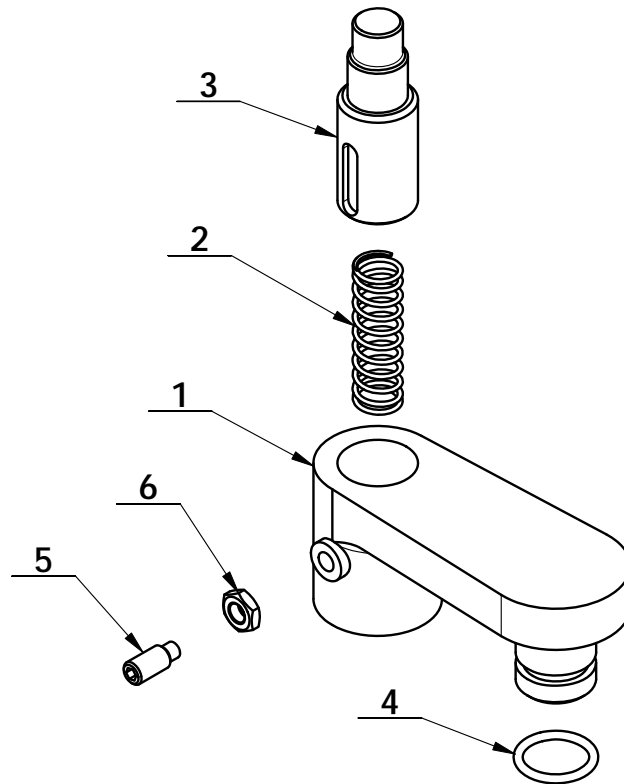
ITEM	PART. No	DESCRIPTION.	QT. Y
1	C-A2-11C1000	BASE	1
2	C-A2-11C2000	SHAFT	1
3	C-A2-1160001A	FLANGE	1
4	C-A2-1160003A	PALLET	1
5	C-A2-1160004	WASHER	1
6	C-A1-1190000	FORK ASSEMBLY	1
7	GB70. 1-M8×20	INNER HEXA CYLINDRICAL SCREW	6
8	GB70. 1-M10×80	INNER HEXA CYLINDRICAL SCREW	2
9	GB70. 3-M10×25	INNER COUNTERSUNK SCREW	4
10	GB889. 1-M10	1-TYPE PREVAILING TORQUE TYPE HEXAGON LOCK NUT	2
11	GB276-6014	DEEP GROOVE BALL BEARINGS	1
12	GB96. 1-6	LARGE WASHER A GRADE	1
13	GB70. 1-M6×12	INNER HEXA CYLINDRICAL SCREW	1
14	C-A2-11C0100	HEIGHTENING BASE ASSEMBLY	1
15	GB70. 1-M12×40	INNER HEXA CYLINDRICAL SCREW	1
16	GB5783-M10×35	HEXANGULAR BOLT	2

C-A2-11C0100



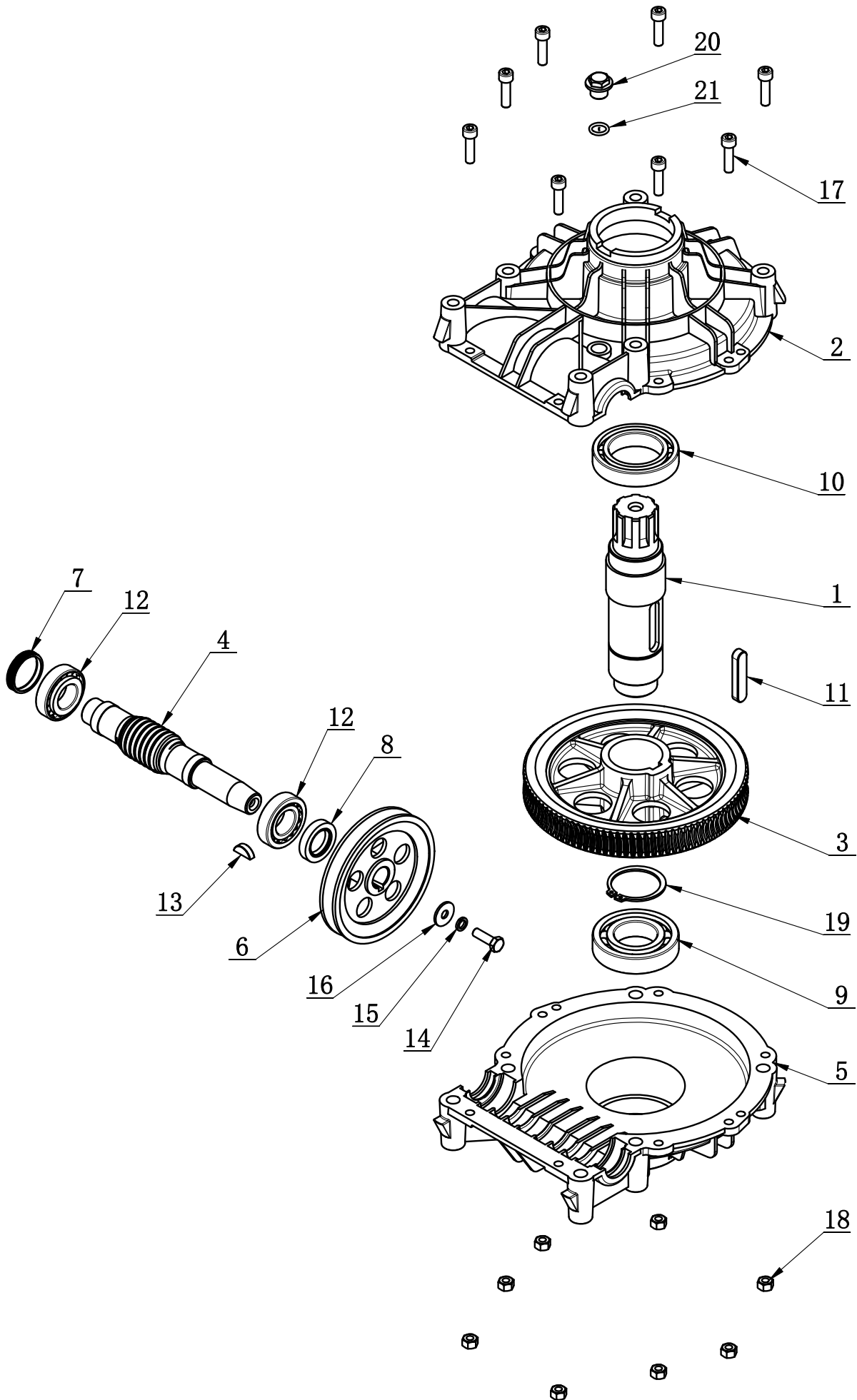
ITEM	PART. No	DESCRIPTION.	QT. Y
1	C-A2-11C3000	RISE BASE	1
2	C-A2-1160003A	PALLET	1
3	C-A2-1160001A	FLANGE	1
4	C-A1-1190000	FORK ASSEMBLY	1
5	C-A2-1160004	WASHER	1
6	GB96. 1-6	LARGE WASHER A GRADE	1
7	GB70. 1-M6×12	INNER HEXA CYLINDRICAL SCREW	1
8	GB70. 1-M8×20	INNER HEXA CYLINDRICAL SCREW	6
9	GB70. 3-M10×25	INNER COUNTERSUNK SCREW	4
10	GB119. 1-10×32	CYLINDRICAL PIN	2
11	GB79-M12×12	INNER HEXA CYLINDRICAL TERMINUS SET SCREW	4
12	C-A2-11C0001	FLAT KEY	3
13	GB70. 1-M5×12	INNER HEXA CYLINDRICAL SCREW	3

C-A1-1190000



ITEM	PART. No	DESCRIPTION.	QT. Y
1	C-A1-1190013	BASE	1
2	C-A1-1190004	SPRING	1
3	C-A1-1190005	INSERT SHAFT	1
4	GB3452. 1-13. 2×1. 8-G	HYDRAULIC-PNEUMATIC RUBBER O-RING G TYPE	1
5	GB79-M5×12	INNER HEXA CYLINDRICAL TERMINUS SET SCREW	1
6	GB6172. 1-M5	HEXANGULAR THIN NUT	1

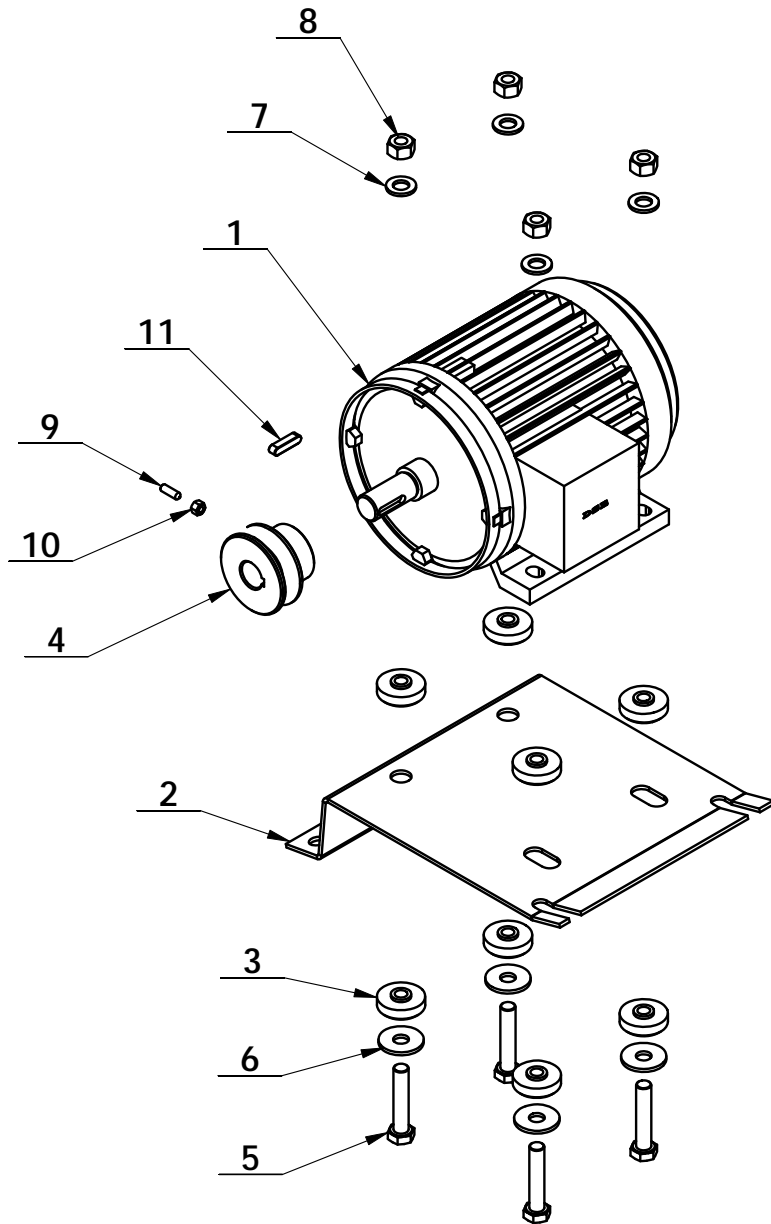
C-A2-1124000



C-A2-1124000

ITEM	PART. No	DESCRIPTION.	QT. Y
1	C-A2-1124001	WORM WHEEL SHAFT	1
2	CT-J-0000006	GEARBOX TOP	1
3	CT-J-0200000	WORM	1
4	CT-J-0000004	WORM ROD	1
5	CT-J-0000005	GEARBOX	1
6	CT-J-0000008	BELT PULLEY	1
7	CT-J-0100000	CAP	1
8	FB25-40 GB13871. 92	SEALED RING	1
9	GB276-6208	DEEP GROOVE BALL BEARINGS	1
10	GB276-6010	DEEP GROOVE BALL BEARINGS	1
11	GB1096-12×8×56	COMMON FLAT KEY	1
12	GB297-30205	CYLINDRICAL BALL BEARING	2
13	GB1099. 1-6×9×22	COMMON SEMI-CIRCULAR KEY	1
14	GB5783-M8×25	HEXANGULAR BOLT	1
15	GB93-8	STANDARD SPRING WASHER	1
16	GB96. 1-8	LARGE WASHER A GRADE	1
17	GB70. 1-M8×30	INNER HEXA CYLINDRICAL SCREW	8
18	GB41-M8	HEXANGULAR NUT	8
19	GB894. 1-50	SHAFT ELATIC BIG RETAINING RING A-TYPE	1
20	TC-10-1400013	BOLT	1
21	GB3452. 1-13. 2×2. 65	HYDRAULIC-PNEUMATIC RUBBER O-RING G TYPE	1

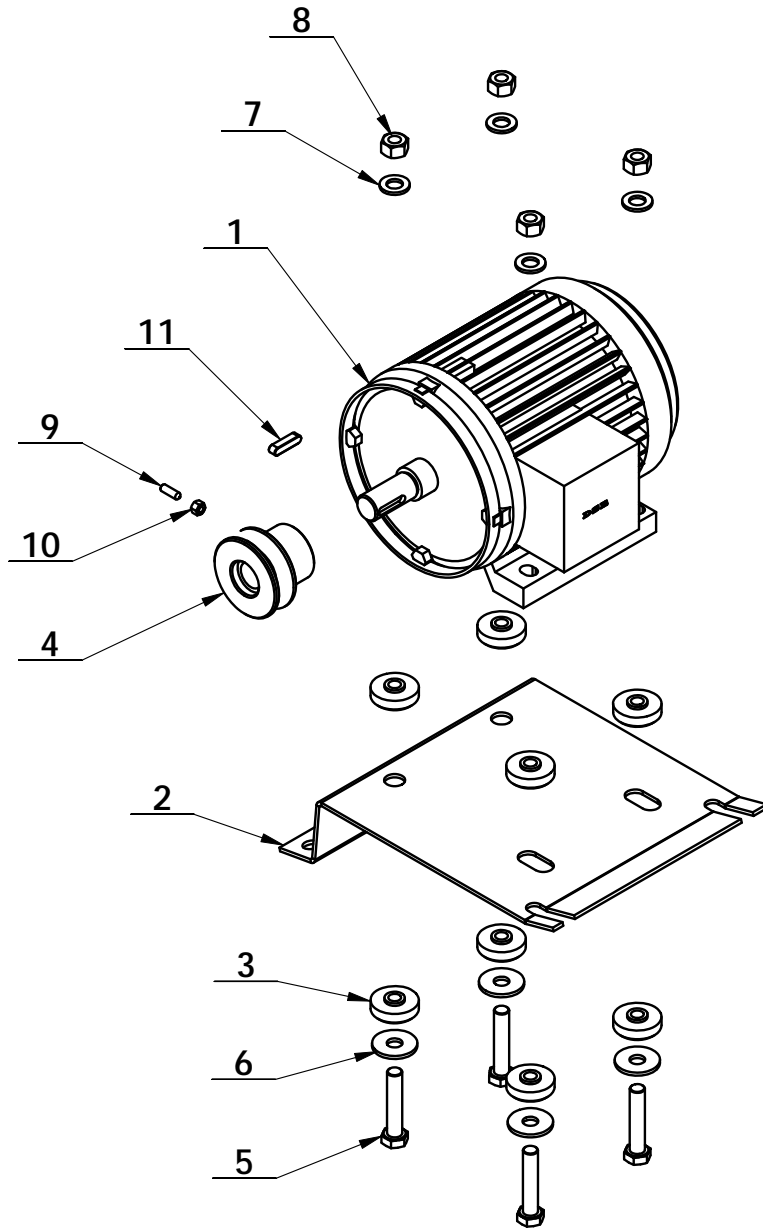
CT-DJ-0344123



ITEM	PART. No	DESCRIPTION.	QT. Y
1	CT-DJ-0044123	MOTOR(380V, 50Hz, 3P, 0.85-1.1Kw, DOUBLE SPEED)	1
2	CT-DJ-0000001	MOTOR SUPPORT	1
3	CT-DJ-0000002	RUBBER WASHER	8
4	CT-DJ-0000003	MOTOR BELT PULLEY	1
5	GB5783-M10×50	HEXANGULAR BOLT	4
6	GB96. 1-10	LARGE WASHER A GRADE	4
7	GB95-10	FLAT WASHER	4
8	GB41-M10	HEXANGULAR NUT	4
9	GB78-M5×16	INNER HEXA CONIC TERMINUS SET SCREW	1
10	GB41-M5	HEXANGULAR NUT	1
11	GB1096-6×6×25	COMMON FLAT KEY	1

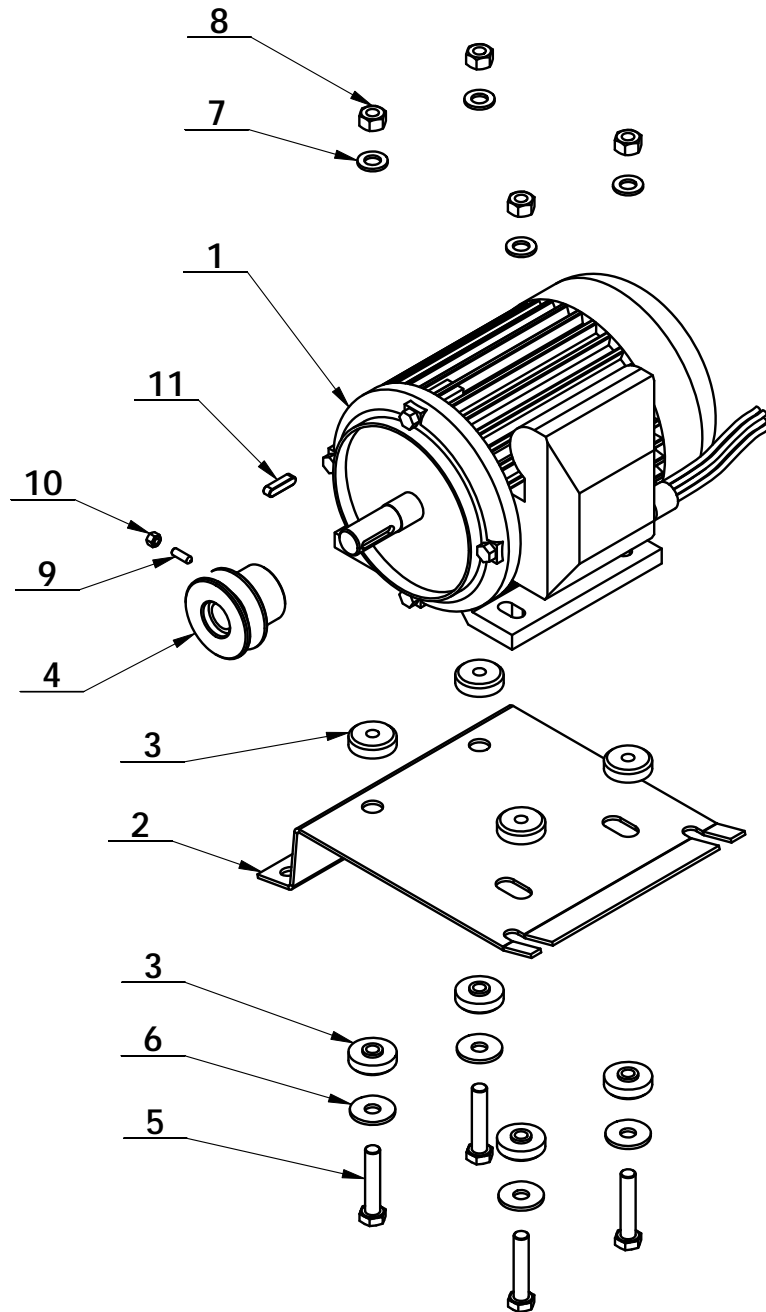


CT-DJ-0334122

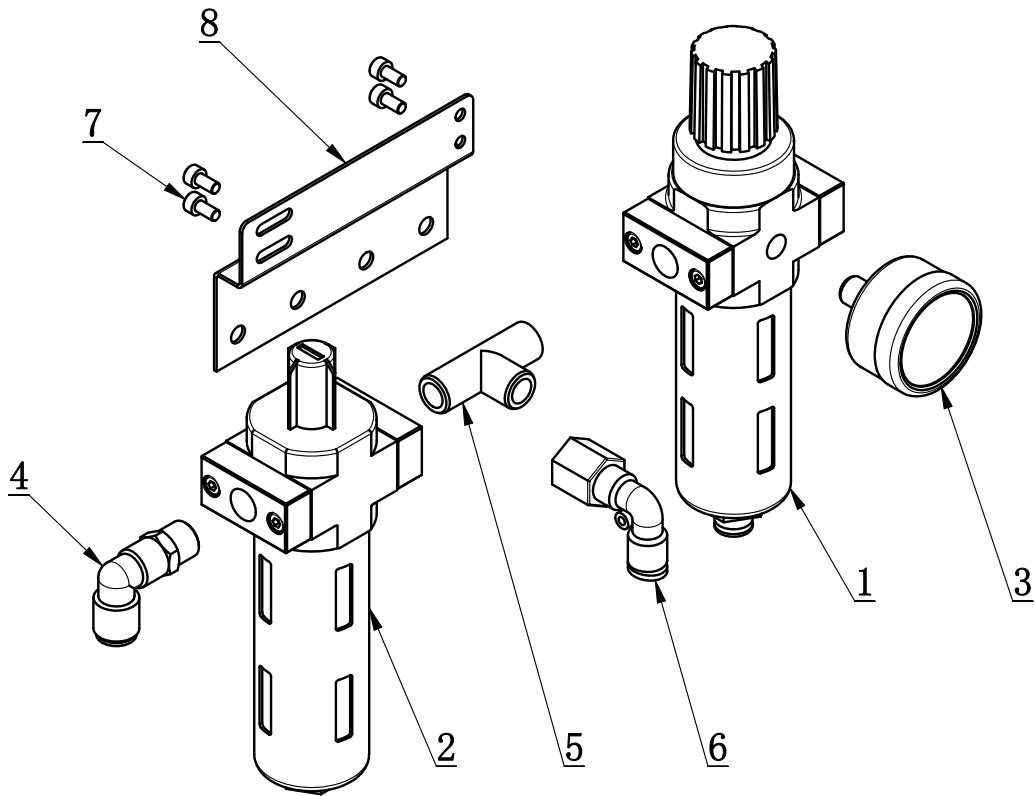


ITEM	PART. No	DESCRIPTION.	QT. Y
1	CT-DJ-0034122	MOTOR(380V, 50Hz, 3P, 0.75Kw)	1
2	CT-DJ-0000001	MOTOR SUPPORT	1
3	CT-DJ-0000002	RUBBER WASHER	8
4	CT-DJ-0000004	PULLEY	1
5	GB5783-M10×50	HEXANGULAR BOLT	4
6	GB96. 1-10	LARGE WASHER A GRADE	4
7	GB95-10	FLAT WASHER	4
8	GB41-M10	HEXANGULAR NUT	4
9	GB78-M5×16	INNER HEXA CONIC TERMINUS SET SCREW	1
10	GB41-M5	HEXANGULAR NUT	1
11	GB1096-6×6×25	COMMON FLAT KEY	1

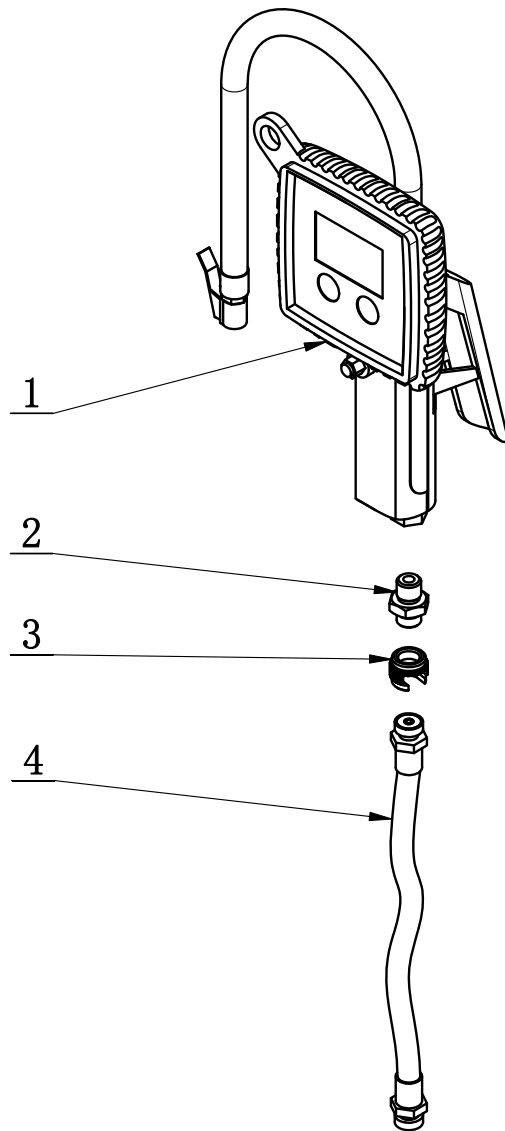
CT-DJ-0318112Y



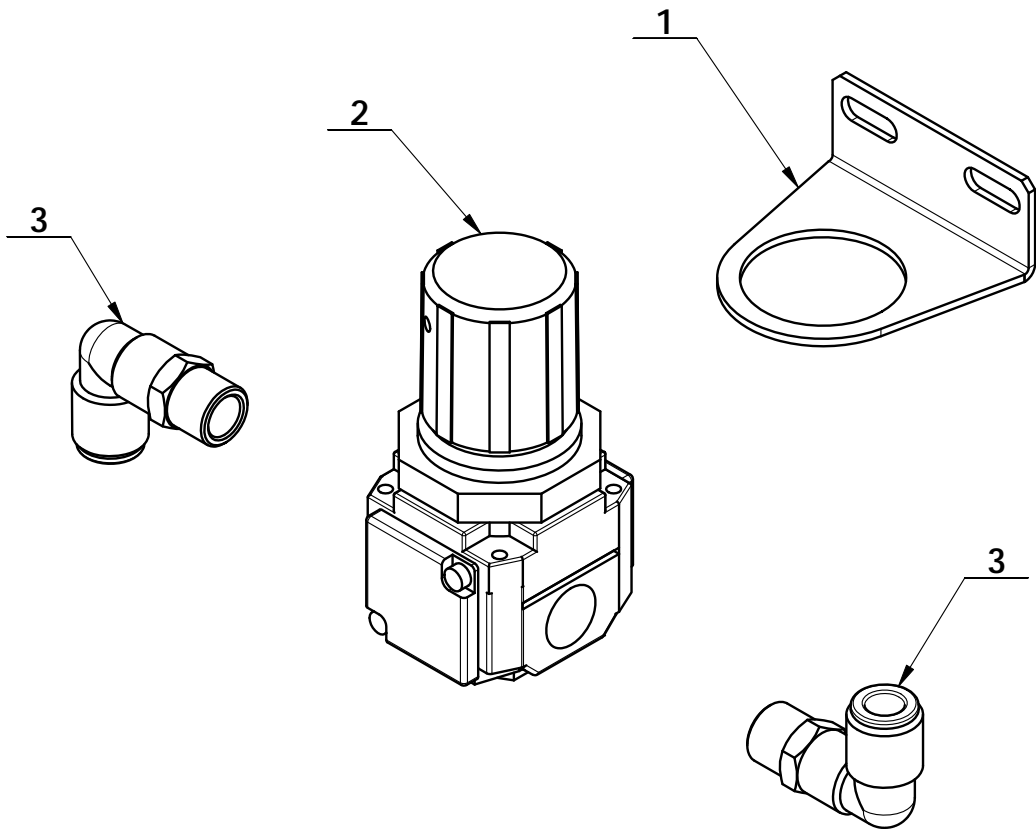
ITEM	PART. No	DESCRIPTION.	QT. Y
1	CT-DJ-0018112Y	MOTOR (220-240V, 50Hz, 1P, 1.1Kw)	1
2	CT-DJ-0000001	MOTOR SUPPORT	1
3	CT-DJ-0000002	RUBBER WASHER	8
4	CT-DJ-0000004	PULLEY	1
5	GB5783-M10×50	HEXANGULAR BOLT	4
6	GB96. 1-10	LARGE WASHER A GRADE	4
7	GB95-10	FLAT WASHER	4
8	GB41-M10	HEXANGULAR NUT	4
9	GB78-M5×16	INNER HEXA CONIC TERMINUS SET SCREW	1
10	GB41-M5	NUT	1
11	GB1096-6×6×25	COMMON FLAT KEY	1



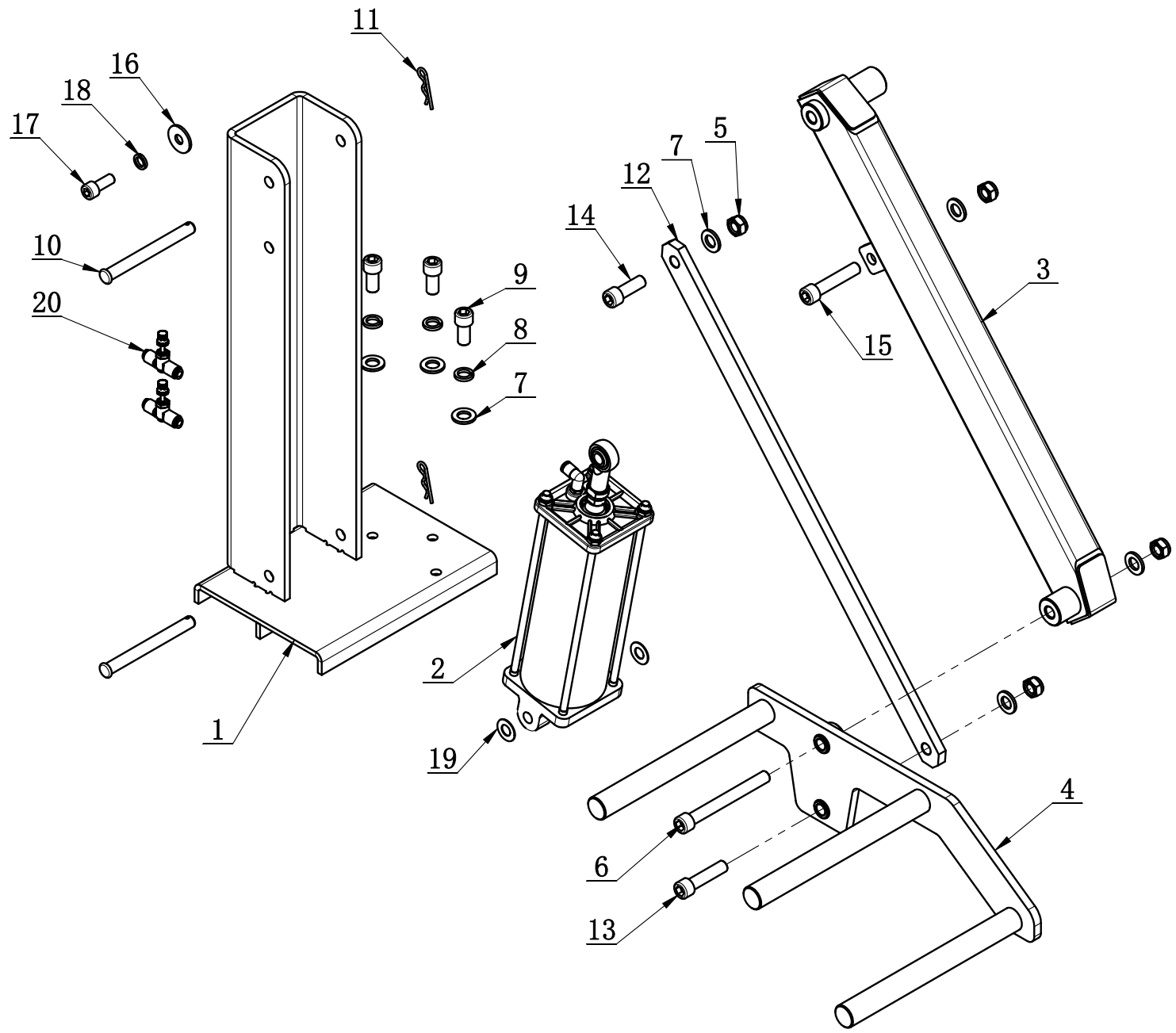
ITEM	PART. No	DESCRIPTION.	QT. Y
1	CT-F-2000010	PRESSURE ADJUST VALVE AND WATER CUP	1
2	CT-F-2000020	OIL CUP	1
3	CT-F-2000003	PRESSURE GAUGE	1
4	FPL 8-02	INSERT ELBOW $\Phi 8$ , R1/4	1
5	PEH 02-02	FEMALE UNION TEE	1
6	FPLF8-02	INSERT ELBOW $\phi 8$ , R1/4	1
7	GB70. 1-M4 $\times$ 8	INNER HEXA CYLINDRICAL SCREW	4
8	CT-F-2000040	AIR REGULATOR BRACKET	1



ITEM	PART. No	DESCRIPTION.	QT. Y
1	CT-P-5000001	INFLATING GUN	1
2	CT-LS-1310005	DOUBLE SCREW G1/4	1
3	C-01-1500004	OPEN NUT	1
4	CT-P-1000002	INFLATION HOSE	1



ITEM	PART. No	DESCRIPTION.	QT. Y
1	H-40-1600002	VALVE HOLDER	1
2	AR20-01	PRESSURE ADJUST VALVE	1
3	FPL 8-02	INSERT ELBOW $\Phi 8, R1/4$	2

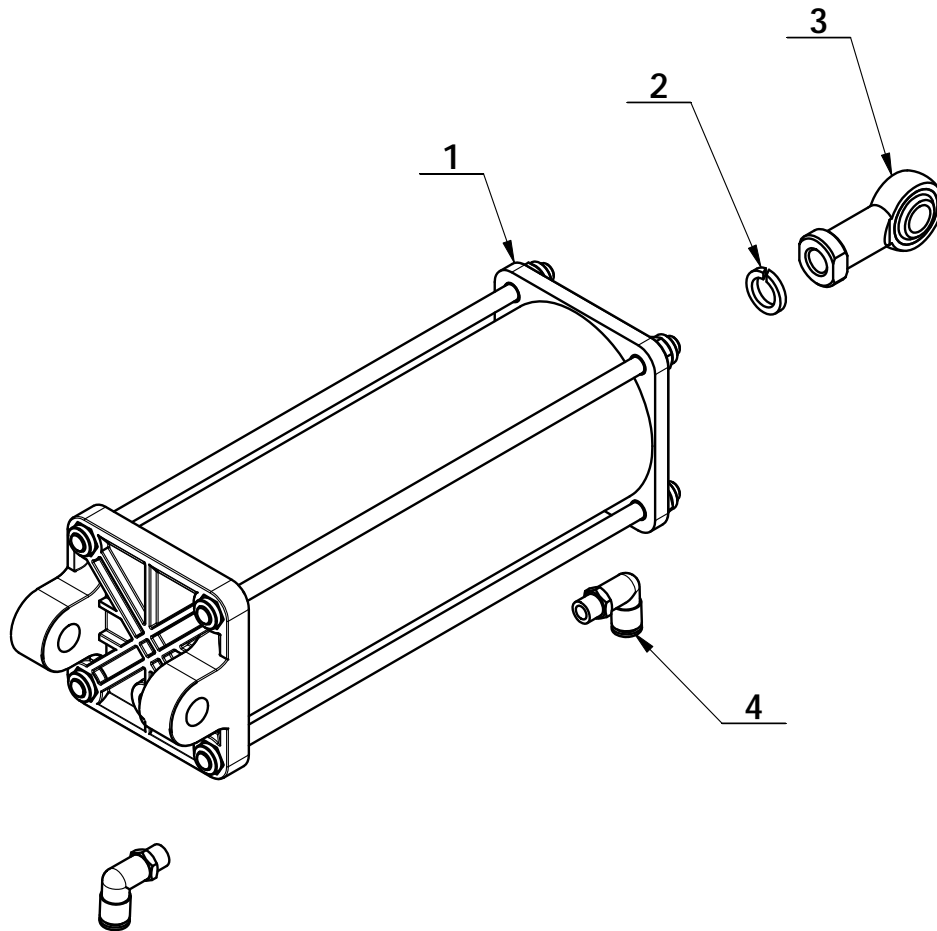


C-97-1500000A

C-97-1500000A

ITEM	PART. No	DESCRIPTION.	QT. Y
1	C-97-1510000	SUPPORT FRAME	1
2	C-97-1520000	PULL-OUT CYLINDER ASSEMBLY	1
3	C-97-1530000	SWING ARM WELDING	1
4	CT-A2-2300000	BRACKRT	1
5	GB889. 1-M12	1- TYPE PREVAILING TORQUE TYPE HEXAGON LOCK NUT	4
6	GB70. 1-M12×110	INNER HEXA CYLINDRICAL SCREW	1
7	GB95-12	FLAT WASHER	7
8	GB93-12	STANDARD SPRING WASHER	3
9	GB70. 1-M12×25	INNER HEXA CYLINDRICAL SCREW	3
10	GB882-12×120	PIN SHAFT	2
11	C-77-1000012	CIRCLIP	2
12	CT-A2-2000006	JUNCTION PLATE	1
13	GB70. 1-M12×50	INNER HEXA CYLINDRICAL SCREW	1
14	GB70. 1-M12×35	INNER HEXA CYLINDRICAL SCREW	1
15	GB70. 1-M12×60	INNER HEXA CYLINDRICAL SCREW	1
16	GB96. 1-10	LARGE WASHER A GRADE	1
17	GB70. 1-M10×25	INNER HEXA CYLINDRICAL SCREW	1
18	GB93-10	STANDARD SPRING WASHER	1
19	CT-D-1100015	WASHER	2
20	FPA-6	SPEED ADJUST VALVE	2

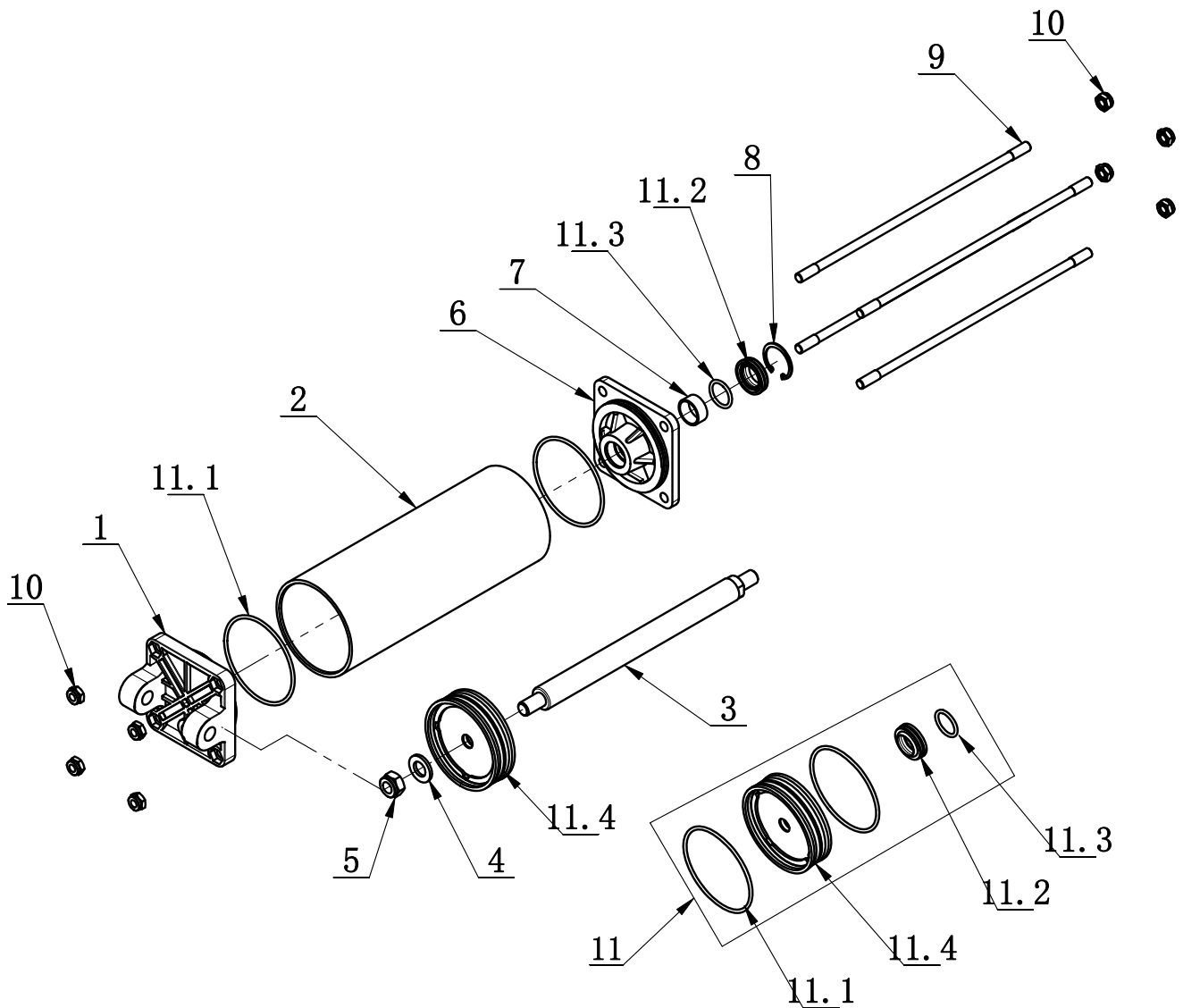
C-97-1520000



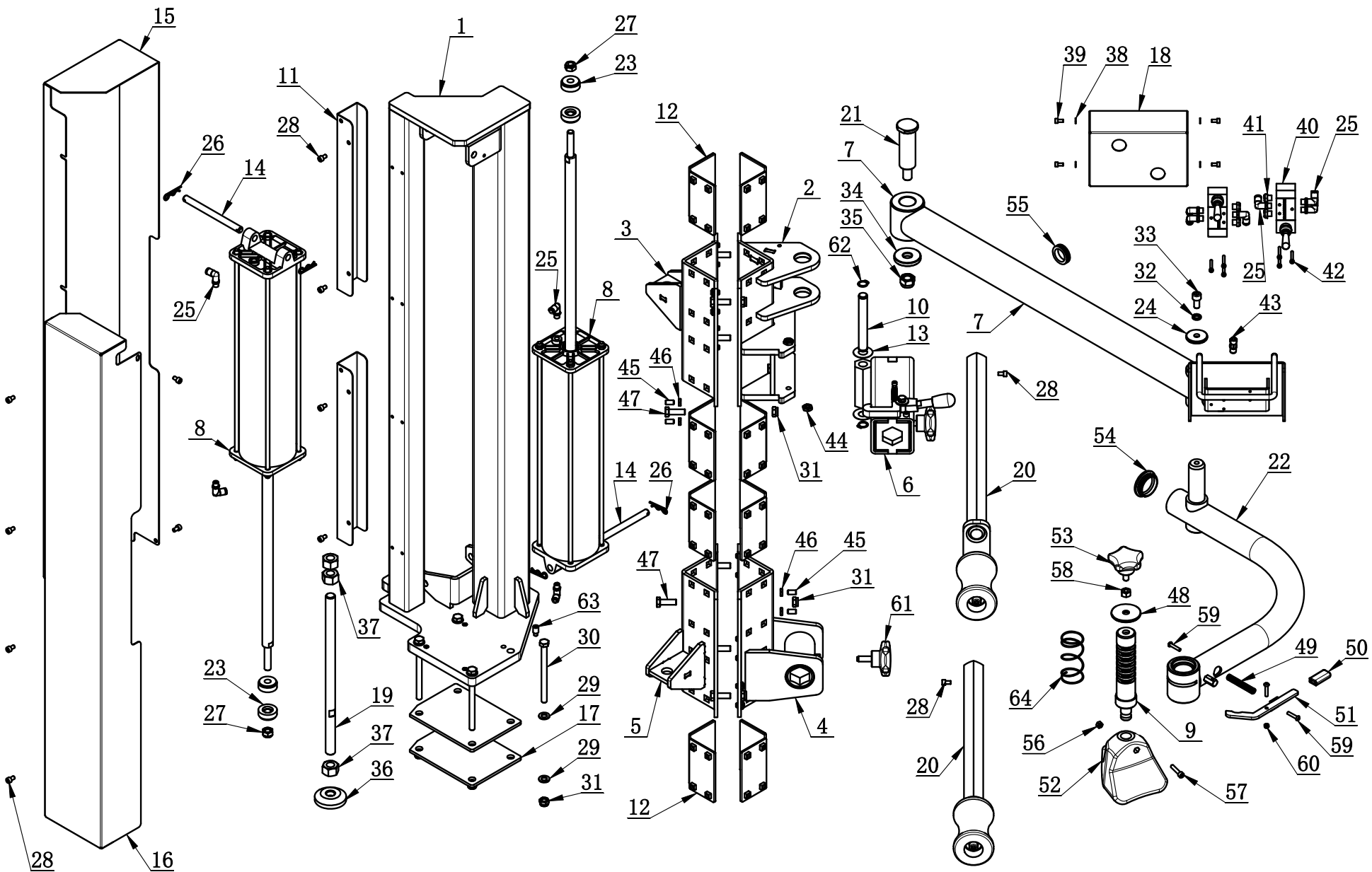
ITEM	PART. No	DESCRIPTION.	QT. Y
1	C-97-1521000	PULL-OUT CYLINDER	1
2	GB93-12	STANDARD SPRING WASHER	1
3	CT-XD-1000007	BEARING JOINTS	1
4	FPL 6-01	MALE ELBOW	2



C-97-1521000



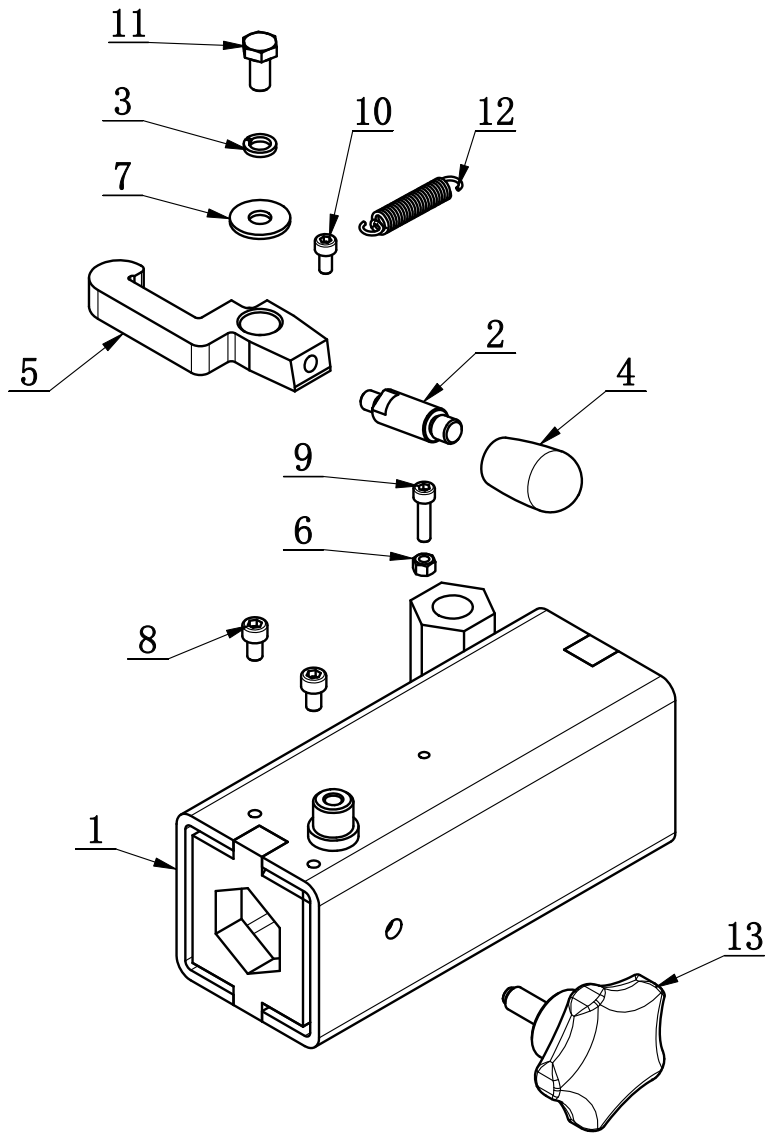
ITEM	PART. No	DESCRIPTION.	QT. Y
1	CT-XD-1000005	CYLINDER REAR COVER	1
2	C-97-1521001	CYLINDER BODY	1
3	C-97-1521002	SHAFT-CLYNDR	1
4	GB95-12	FLAT WASHER	1
5	GB889. 1-M12	1- TYPE PREVAILING TORQUE TYPE HEXAGON LOCK NUT	1
6	CT-Y-4120004	CYLINDER FRONT COVER	1
7	GB12613-23×20×10	BEARING-SLIDE	1
8	GB893. 1-30	ELASTIC RETAINING RING A-TYPE	1
9	C-97-1521003	BARS	4
10	GB889. 1-M8	1-TYPE PREVAILING TORQUE TYPE HEXAGON LOCK NUT	8
11	CT-Y-4121000	CYLINDER SEALING PARTS ASSEMBLY	1
11. 1	GB3452. 1-75×2. 65-G	HYDRAULIC-PNEUMATIC RUBBER O-RING G TYPE	2
11. 2	CT-Y-0160007	SEAL-ROD, CYLNDR	1
11. 3	GB3452. 1-20×2. 65-G	HYDRAULIC-PNEUMATIC RUBBER O-RING G TYPE	1
11. 4	CT-Y-4120006	PISTON	1



ITEM	PART. No	DESCRIPTION.	QT. Y
1	C-97-1910000	VERTICAL COLUMN	1
2	C-97-1920000	TOP-FRONT SLIDE PLATE	1
3	C-97-1930000	TOP-BACK SLIDE PLATE	1
4	C-97-1940000	BOTTOM-FRONT SLIDE PLATE	1
5	C-97-1950000	BOTTOM-BACK SLIDE PLATE	1
6	C-97-1960000	SWING ARM ASSEMBLY	1
7	C-97-1970000	SUPPORT ARM	1
8	C-97-1980000	LIFTING CYLINDER ASSEMBLY	2
9	C-97-1900002	PRESSURE SCREW	1
10	C-97-1900003	SHAFT	1
11	C-97-1900004	COVER	2
12	C-97-1900005	GUIDEWAY BOARD	16
13	C-97-1900006	ADJUSTING WASHER	2
14	C-97-1900007	SHAFT	2
15	C-97-1900008	COVER	1
16	C-97-1900009	COVER	1
17	C-97-1900010	PAD PLATE	2
18	C-97-1900011	VALVE COVER	1
19	C-97-1900012	BOLT	1
20	C-97-1901000	PRESS SHAFT ASSEMBLY	2
21	H-80-1000001A	VERTICAL SHAFT	1
22	H-80-1330100A	ROTATION ARM	1
23	GBT9162 GX12T	BEARING	4
24	H-10-1000005	WASHER	1
25	FPL 6-01	MALE ELBOW	10
26	C-77-1000012	CIRCLIP	4
27	GB889. 1-M12	1- TYPE PREVAILING TORQUE TYPE HEXAGON LOCK NUT	2
28	GB70. 1-M6×10	INNER HEXA CYLINDRICAL SCREW	12
29	GB95-10	FLAT WASHER	8
30	GB5782-M10×130	HEXANGULAR BOLT	4
31	GB889. 1-M10	1-TYPE PREVAILING TORQUE TYPE HEXAGON LOCK NUT	12
32	GB93-10	STANDARD SPRING WASHER	1
33	GB70. 1-M10×20	INNER HEXA CYLINDRICAL SCREW	1
34	C-54-1000009	SHAFT WASHER	1
35	GB889. 1-M16	1-TYPE PREVAILING TORQUE TYPE HEXAGON LOCK NUT	1
36	H-80-1000005	FOUNDATION PLATE	1
37	GB41-M18	HEXANGULAR NUT	3
38	GB95-5	FLAT WASHER	4
39	GB70. 1-M5×10	INNER HEXA CYLINDRICAL SCREW	4
40	4H230-06A	CONTROL VALVE	2

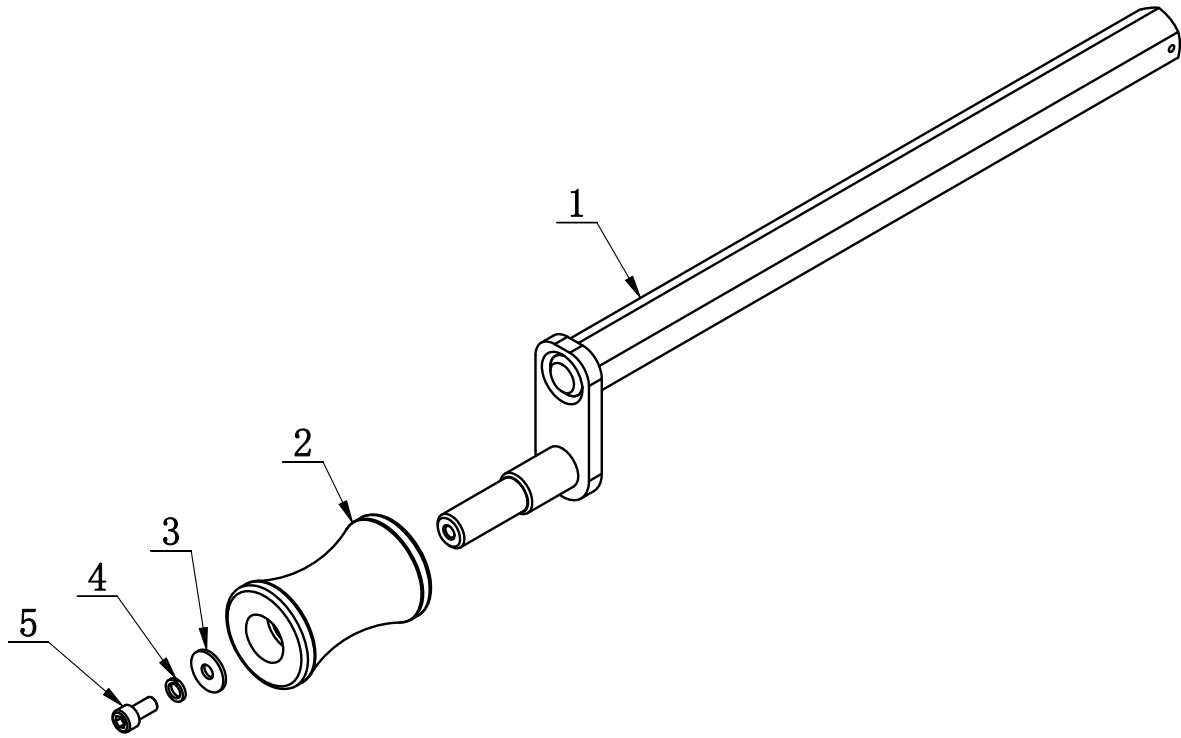
ITEM	PART. No	DESCRIPTION.	QT. Y
41	FSSL 1 / 8	PARTICLE SILENCER	4
42	GB70. 1-M4×30	INNER HEXA CYLINDRICAL SCREW	6
43	FPE 6	UNION TEE	1
44	GB6172. 1-M10	HEXANGULAR THIN NUT	3
45	GB77-M8×16	INNER HEXA FLAT TERMINUS SET SCREW	16
46	GB6172. 1-M8	HEXANGULAR THIN NUT	16
47	GB5783-M10×30	HEXANGULAR BOLT	8
48	H-80-1330002	WASHER	1
49	C-93-1700006	SPRING	1
50	H-80-1000010	COVER	1
51	H-80-1330200	SNAP-GAUGE	1
52	H-80-1001001	PRESSURE BLOCK	1
53	H-80-1000013	THE STAR HANDLE M10-20	1
54	H-10-1000008	ROUND COVER	1
55	H-12-1000002	PROTECTION RING	1
56	GB41-M6	HEXANGULAR NUT	1
57	GB70. 1-M6×30	INNER HEXA CYLINDRICAL SCREW	1
58	GB41-M10	HEXANGULAR NUT	1
59	GB70. 2-M5×25	INNER HEXA CYLINDRICAL ROUND HEAD SCREW	3
60	GB889. 1-M5	1-TYPE PREVAILING TORQUE TYPE HEXAGON LOCK NUT	1
61	H-80-1003000	HAND OF FIVE STARS	1
62	GB894. 1-16	SHAFT ELATIC BIG RETAINING RING A-TYPE	2
63	GB79-M10×20	INNER HEXA CYLINDRICAL TERMINUS SET SCREW	4
64	C-97-1900013	BUFFER SPRING	1

C-97-1960000



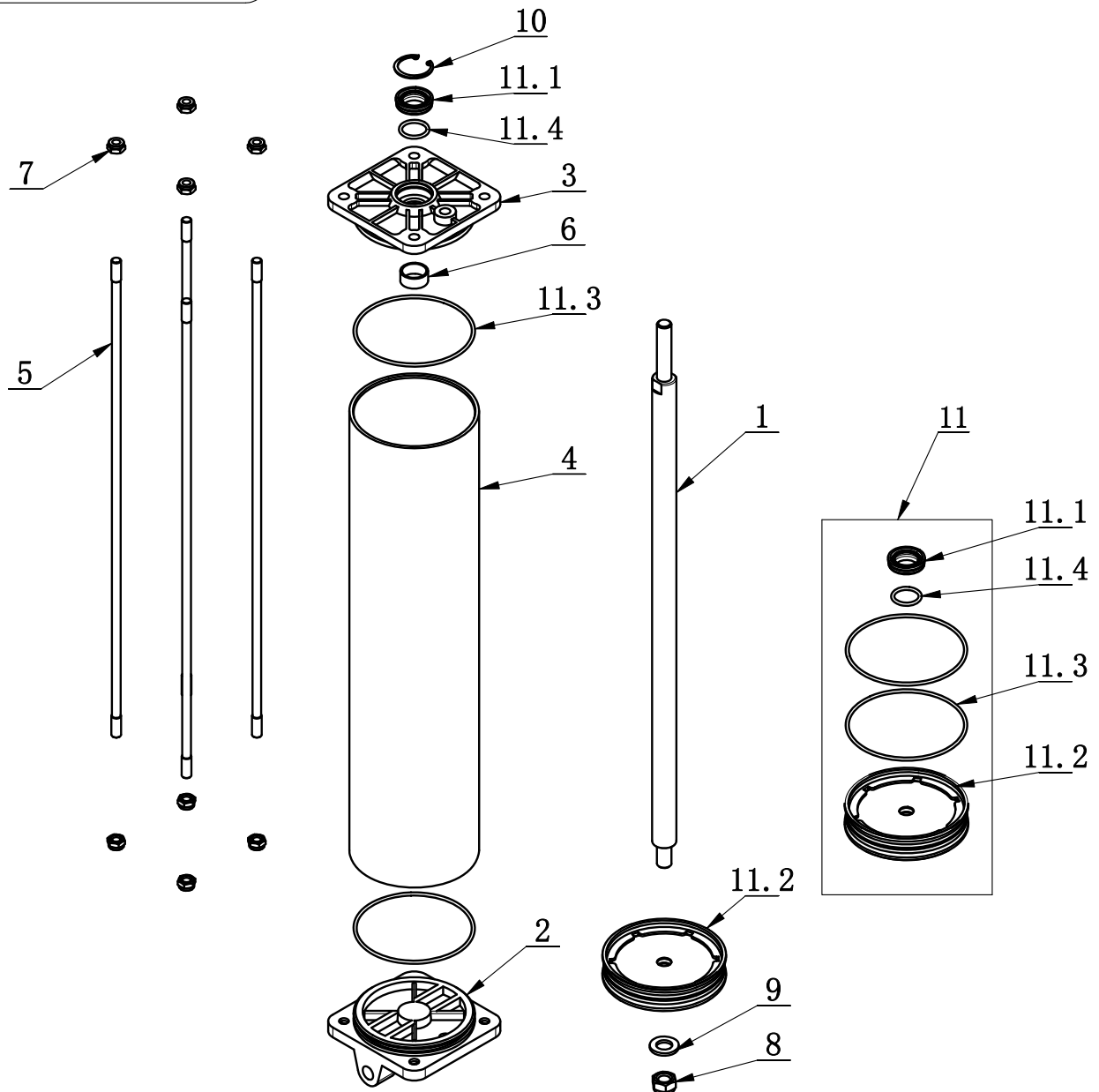
ITEM	PART. No	DESCRIPTION.	QT. Y
1	C-97-1961000	SWING ARM WELLDING	1
2	C-A2-1600018	HAND SHANK SHAFT	1
3	GB93-8	STANDARD SPRING WASHER	1
4	JB / T 7271. 4-94-M10×40-B	HAND SHANK	1
5	C-A2-1600002	LOCK HOOK	1
6	GB41-M5	HEXANGULAR NUT	1
7	GB96. 2-8	LARGE WASHER C GRADE	1
8	GB70. 1-M6×10	INNER HEXA CYLINDRICAL SCREW	2
9	GB70. 1-M5×20	INNER HEXA CYLINDRICAL SCREW	1
10	GB70. 1-M5×10	INNER HEXA CYLINDRICAL SCREW	1
11	GB5783-M8×16	HEXANGULAR BOLT	1
12	C-A2-1600027	SPRING	1
13	H-80-1003000	HAND OF FIVE STARS	1

C-97-1901000



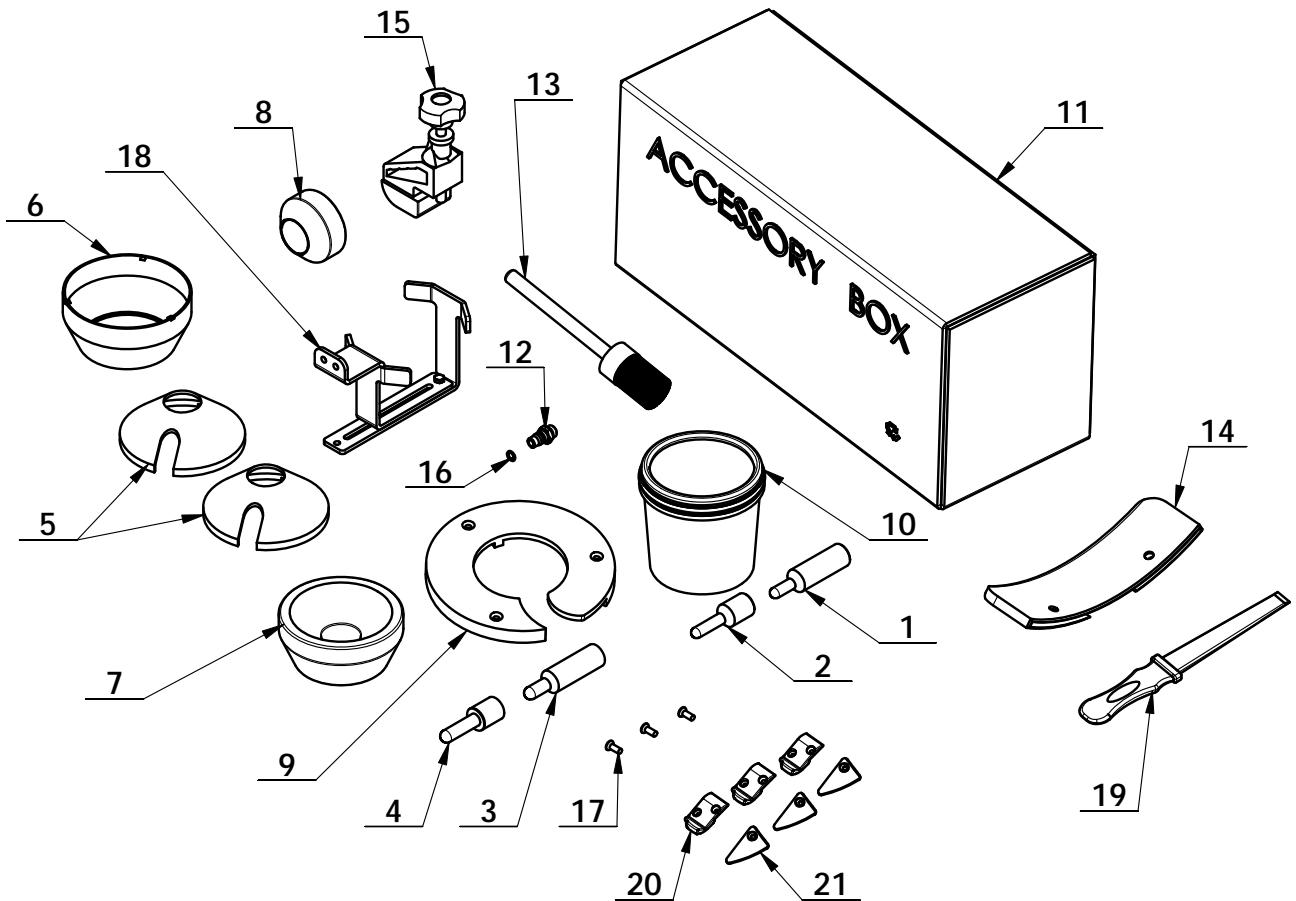
ITEM	PART. No	DESCRIPTION.	QT. Y
1	C-97-1901100	PRESS SHAFT WELLDING	1
2	H-30-1000012	PRESS CONE	1
3	GB96. 1-10	LARGE WASHER A GRADE	1
4	GB93-10	STANDARD SPRING WASHER	1
5	GB70. 1-M10×20-LH	INNER HEXA CYLINDRICAL SCREW	1

C-97-1980000



ITEM	PART. No	DESCRIPTION.	QT. Y
1	C-97-1980001	PISTON ROD	1
2	H-10-1500005	CYLINDER BEAR COVER	1
3	H-10-1500002	CYLINDER FRONT COVER	1
4	C-93-1750002	CYLINDER	1
5	C-93-1750003	BOLT	4
6	GB12613-23×20×10	BEARING-SLIDE	1
7	GB889.1-M8	1-TYPE PREVAILING TORQUE TYPE HEXAGON LOCK NUT	8
8	GB889.1-M12	1- TYPE PREVAILING TORQUE TYPE HEXAGON LOCK NUT	1
9	GB95-12	FLAT WASHER	1
10	GB893.1-30	ELASTIC RETAINING RING A-TYPE	1
11	H-10-1590000	CYLINDER SEALING PARTS ASSEMBLY	1
11.1	CT-Y-0160007	SEAL-ROD, CYLNDR	1
11.2	H-10-1500001	PISTON	1
11.3	GB3452.1-95×2.65-G	HYDRAULIC-PNEUMATIC RUBBER O-RING G TYPE	2
11.4	GB3452.1-20×2.65-G	HYDRAULIC-PNEUMATIC RUBBER O-RING G TYPE	1

C-97-8000000



ITEM	PART. No	DESCRIPTION.	QT. Y
1	C-A1-1190006	EXTENSION BAR	1
2	C-A1-1190007	EXTENSION BAR	1
3	C-A1-1190008	EXTENSION BAR	1
4	C-A1-1190009	EXTENSION BAR	1
5	C-A1-11C0007	CONE COVER	2
6	C-A1-11C0009	BIG CONE COVER	1
7	C-A1-11C0010	LARGETAPER	1
8	C-A1-11C0011	NYLON CONE	1
9	C-A2-1100013	COVER	1
10	MH-12-8000001	GREASE CONTAINER	1
11	C-54-8000002	ACCESSORY BOX	1
12	C-54-8000011	AIR SUPPLY CONNECTOR	1
13	C-54-8000014BP	BRUSH	1
14	C-90-1000013	BEAD BREAKER BLADE COVER	1
15	CT-S-0200000	AUXILIARY TOOLS	1
16	GB3452.1-8×2.65-A	HYDRAULIC-PNEUMATIC RUBBER O-RING G TYPE	1
17	GB819.1-M6×16-H	CROSS COUNTERSUNK SCREW STEEL 4.8 GRADE	3
18	C-54-8002000	BRACKET	1
19	C-8A-8000001	PLASTIC CROWBAR	1
20	C-8R-1A40013	SHEATH	3
21	C-8R-1A40014	PROTECTIVE PAD	3