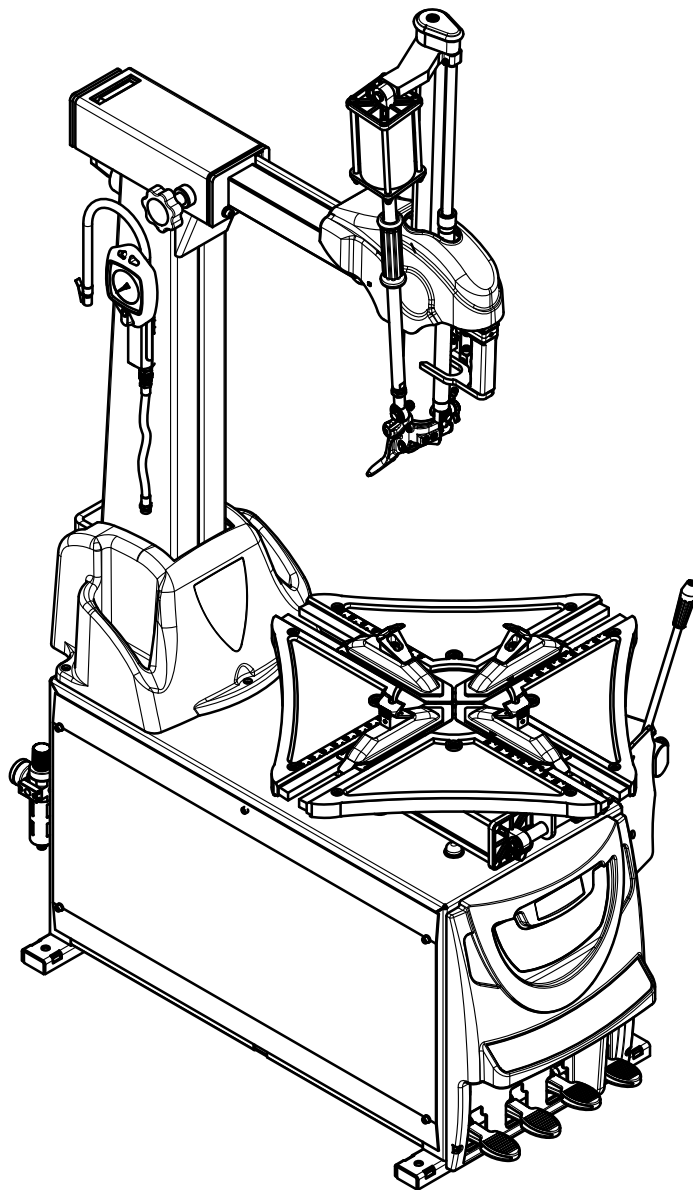
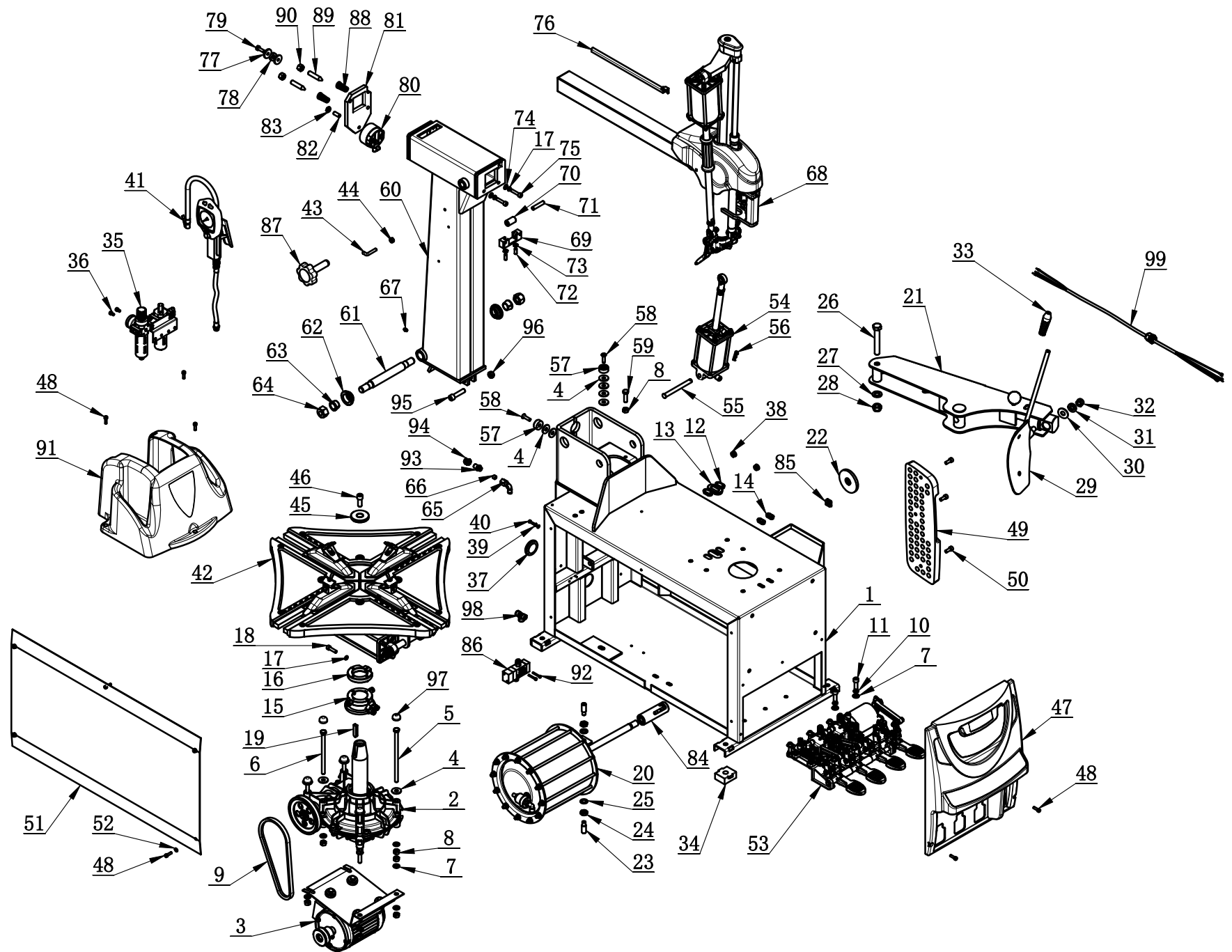


# LC889NV Exploded Drawing



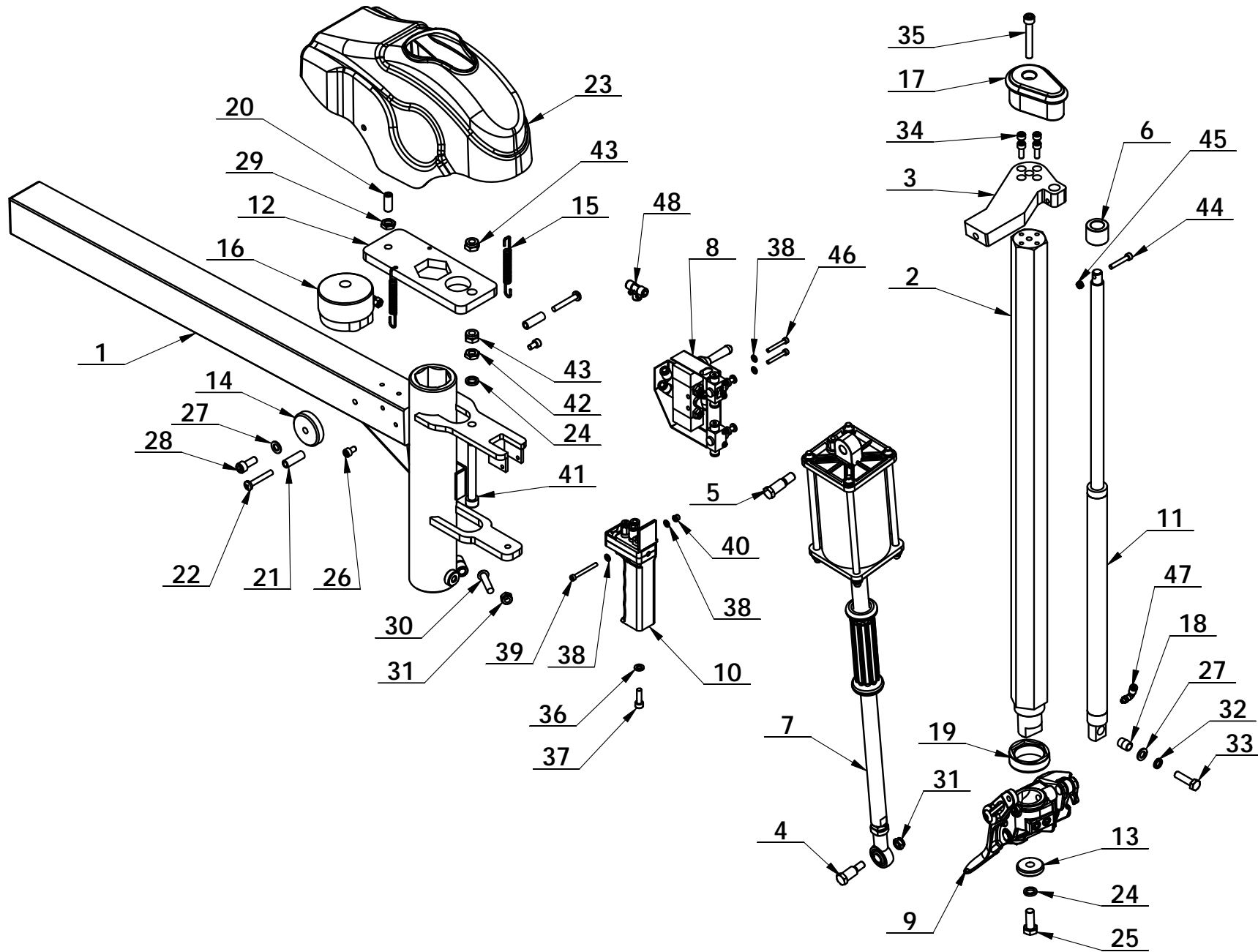


ITEM	PART. No	DESCRIPTION.	QT. Y
1	C-8M-1100000	BODY	1
2	CT-J-4100000	GEARBOX ASSEMBLY	1
3	CT-DJ-0334122	MOTOR (380V, 50Hz, 3P, 0.75Kw)	1
4	GB96. 1-10	LARGE WASHER A GRADE	12
5	GB5782-M10×200-8.8	BOLT M10×200	4
6	GB5782-M10×160-8.8	BOLT M10×160	2
7	GB95-10	FLAT WASHER	16
8	GB41-M10	HEXANGULAR NUT	15
9	CT-DJ-0000007	BELT (USED WITH 50HZ MOTOR)	1
10	GB93-10	STANDARD SPRING WASHER	2
11	GB70. 1-M10×30	INNER HEXA CYLINDRICAL SCREW	2
12	C-54-1000022	PLUG C	2
13	C-54-1000028	PLUG B	1
14	C-54-1000023	PLUG A	2
15	CT-Q-5000000	ROTATING UNION	1
16	CT-Q-6000000	CLAMP RING	1
17	GB93-8	STANDARD SPRING WASHER	3
18	GB70. 1-M8×30	INNER HEXA CYLINDRICAL SCREW	1
19	GB1096-C12×8×45	COMMON FLAT KEY	1
20	CT-LS-C100000	BEAD BREAKER CYLINDER ASSEMBLY	1
21	CT-B-C000000	BEAD BREAKER ARM ASSEMBLY	1
22	C-54-1000016	RUBBER WASHER	1
23	C-54-1000010	SCREWS M14X42	2
24	GB6172. 1-M14	HEXANGULAR THIN NUT	2
25	GB861. 1-14	INNER TOOTH LOCK WAHSER	2
26	GB5782-M16×100	HEXANGULAR BOLT	1
27	GB95-16	FLAT WASHER	1
28	GB889. 1-M16	1-TYPE PREVAILING TORQUE TYPE HEXAGON LOCK NUT	1
29	CT-C-2100000	BEAD BREAKER BLADE	1
30	C-54-1000002	WASHER	1
31	GB955-14	WAVE-FORM SPRING WASHER	1
32	GB889. 1-M14	1-TYPE PREVAILING TORQUE TYPE HEXAGON LOCK NUT	1
33	TC-40-1200022	RUBBER COVER	1
34	C-54-1000005	RUBBER FOOT	4
35	CT-F-2121200	AIR REGULATOR ASSEMBIY	1
36	GB70. 1-M6×10	INNER HEXA CYLINDRICAL SCREW	2
37	C-61-1000002	CUSHION BUSHING	1
38	C-71-1000027	HELPER RUBBE PLUG	2
39	GB95-5	FLAT WASHER	2
40	GB5783-M5×16	HEXANGULAR BOLT	1

ITEM	PART. No	DESCRIPTION.	QT. Y
41	CT-P-4000000	INFLATING GUN ASSEMBLY	1
42	CT-Y-5000000	TURNTABLE ASSEMBLY	1
43	C-71-1000024	INFLATING GUN HOOK	1
44	GB41-M8	HEXANGULAR NUT	1
45	C-54-1000012	PRESS COVER	1
46	GB70. 1-M12×30	INNER HEXA CYLINDRICAL SCREW	1
47	C-5E-1000002	COVER	1
48	GB70. 1-M6×20	INNER HEXA CYLINDRICAL SCREW	10
49	C-5E-1000003	RUBBER WASHER	1
50	GB70. 1-M8×20	INNER HEXA CYLINDRICAL SCREW	3
51	C-61-1000001	SIDE PANEL	1
52	GB95-6	FLAT WASHER	5
53	CT-D-6100000	PEDAL ASSEMBLY	1
54	CT-XD-1000000A	PULL-OUT CYLINDER ASSEMBLY	1
55	GB882-12×120	PIN SHAFT	1
56	C-77-1000012	CIRCLIP	1
57	C-86-1000006	WASHER $\Phi 30 \times \Phi 10 \times 15$	2
58	GB70. 3-M8×30	INNER COUNTERSUNK SCREW	2
59	GB5783-M10×35	HEXANGULAR BOLT	1
60	C-8M-1200000	COLUMN WELDING	1
61	C-7N-1000002	ROTATION SHAFT	1
62	C-86-1000003	LOCKING BUSHING	2
63	C-6A-1000003	CONICAL BUSHING	2
64	GB6184-M20	1-TYPE METAL HEXAGON LOCK NUT	2
65	FPLF8-02	INSERT ELBOW $\phi 8, R1/4$	1
66	C-54-1000027	JOINT SEALING GASKET	1
67	TC-10-8400006	OIL BOTTLE	1
68	C-8R-1A00000	HORIZONTAL ARM ASSEMBLY	1
69	C-7C-1000004	PEDESTAL	1
70	C-7C-1000005	TELEFLEX	1
71	GB119. 1-10×50	CYLINDRICAL PIN	1
72	GB77-M8×20	INNER HEXA FLAT TERMINUS SET SCREW	2
73	GB6172. 1-M8	HEXANGULAR THIN NUT	2
74	GB95-8	FLAT WASHER	2
75	GB70. 1-M8×35	INNER HEXA CYLINDRICAL SCREW	2
76	C-77-1000009	AIR HOSE CHUTE	1
77	C-77-1000003	CUSHION	2
78	C-77-1000004	RUBBER WASHER	1
79	GB5783-M8×25	HEXANGULAR BOLT	1
80	C-77-1500000	LOCKING CYLINDER ASSY	1

LC889NV

ITEM	PART. No	DESCRIPTION.	QT. Y
81	C-7N-1000001	SQUARE LOCK PLATE	1
82	C-71-1000029	INNER HEXA FLAT TERMINUS SET SCREW	1
83	GB6173-M10×1.0	HEXA THIN NUT	1
84	C-5B-1400000	LIMIT SET	1
85	C-54-1000015	STOP-UP	1
86	C-80-1500000	VALVE	1
87	C-86-1400000	HANDLE WHEEL	1
88	C-86-1000005	PRESS SPRING	2
89	C-86-1000004	INNER HEXA CONIC TERMINUS SET SCREW	2
90	GB41-M12	HEXANGULAR NUT	2
91	C-8M-1000001	PROTECTIVE COVER	1
92	GB70. 1-M4×30	INNER HEXA CYLINDRICAL SCREW	2
93	C-54-1000034	AIR CONNECTOR	1
94	C-01-1500004	OPEN NUT	1
95	GB70. 1-M12×50	INNER HEXA CYLINDRICAL SCREW	1
96	GB889. 1-M12	1- TYPE PREVAILING TORQUE TYPE HEXAGON LOCK NUT	1
97	C-01-1000006	COVER CAP	6
98	FPT 6-8-8	DIFFERENT DIA OF UNION TEE	1
99	CT-E-UN00410	CABLE	1



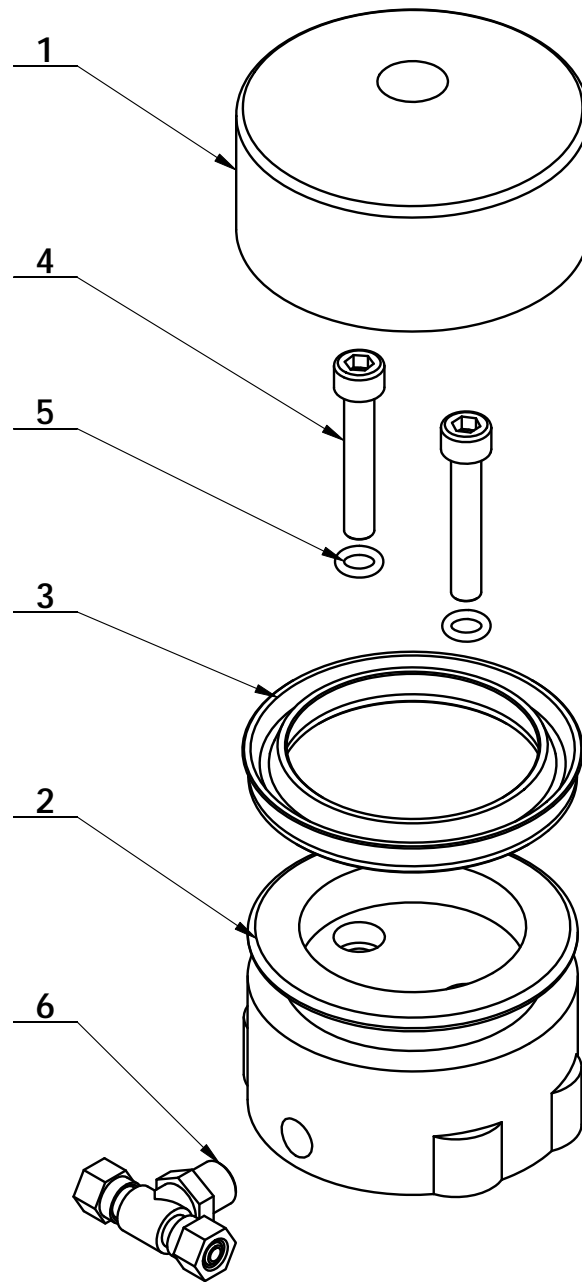
ITEM	PART. No	DESCRIPTION.	QT. Y
1	C-8R-1A10000	HORIZONTAL ARM WELDING	1
2	C-8R-1A00001	HEXANGULAR SHAFT	1
3	C-8R-1A00002	CYLINDER CONNET PLATE	1
4	C-8R-1A00003	SELF-MADE BOLT M8	1
5	C-8R-1A00004	SELF-MADE BOLT M10	1
6	C-8R-1A00005	RUBBER WASHER	1
7	C-8R-1A20000	CYLINDER ASSEMBLY	1
8	C-8R-1A30000	CONTROL VALVE ASSEMBLY	1
9	C-8R-1A40000	DEMOUNTING HEAD ASSEMBLY	1
10	C-8A-1330000A	HANDLE CONTROLING VALVE	1
11	C-8P-1320000	PNEUMATIC SPRING	1
12	C-8P-1300002	HEXANGULAR LOCK PLATE	1
13	C-54-1300008	PRESS WASHER	1
14	C-71-1300005A	POSITIONING BLOCK	1
15	C-71-1300004	SPRING	2
16	C-71-1320000	LOCKING CYLINDER ASSY	1
17	C-8A-1300001	VERTICAL SHAFT COVER	1
18	C-8A-1300008	BUSHING	1
19	C-8R-1300002	SHOCK ABSORBER WASHER	1
20	C-71-1000029	INNER HEXA FLAT TERMINUS SET SCREW	1
21	C-77-1000006	PROTECTIVE HOOD LOCK BUSHING	2
22	GB818-M6×40-H	CROSS PANHEAD SCREW	2
23	C-8H-1000001	PROTECTIVE COVER	1
24	GB93-10	STANDARD SPRING WASHER	2
25	GB5783-M10×25-12.9	HEXANGULAR BOLT	1
26	GB70.1-M6×10	INNER HEXA CYLINDRICAL SCREW	2
27	GB95-8	FLAT WASHER	2
28	GB70.1-M8×20	INNER HEXA CYLINDRICAL SCREW	1
29	GB6173-M10×1.0	HEXA THIN NUT	1
30	GB70.2-M8×35	INNER HEXA CYLINDRICAL ROUND HEAD SCREW	1
31	GB889.1-M8	1-TYPE PREVAILING TORQUE TYPE HEXAGON LOCK NUT	2
32	GB93-8	STANDARD SPRING WASHER	1
33	GB5783-M8×30	HEXANGULAR BOLT	1
34	GB70.1-M6×16	INNER HEXA CYLINDRICAL SCREW	4
35	GB70.1-M8×55	INNER HEXA CYLINDRICAL SCREW	1
36	GB95-6	FLAT WASHER	1
37	GB70.1-M6×20	INNER HEXA CYLINDRICAL SCREW	1
38	GB95-4	FLAT WASHER	4
39	GB70.1-M4×40	INNER HEXA CYLINDRICAL SCREW	1
40	GB889.1-M4	1-TYPE PREVAILING TORQUE TYPE HEXAGON LOCK NUT	1

C-8R-1A00000

ITEM	PART. No	DESCRIPTION.	QT. Y
41	GB70. 1-M10×85	INNER HEXA CYLINDRICAL SCREW	1
42	GB6172. 1-M10	HEXANGULAR THIN NUT	1
43	GB889. 1-M10	1-TYPE PREVAILING TORQUE TYPE HEXAGON LOCK NUT	2
44	GB70. 1-M5×30	INNER HEXA CYLINDRICAL SCREW	1
45	GB889. 1-M5	1-TYPE PREVAILING TORQUE TYPE HEXAGON LOCK NUT	1
46	GB70. 1-M4×30	INNER HEXA CYLINDRICAL SCREW	2
47	6522 4-M5	MALE ELBOW	1
48	FPE 6	UNION TEE	1

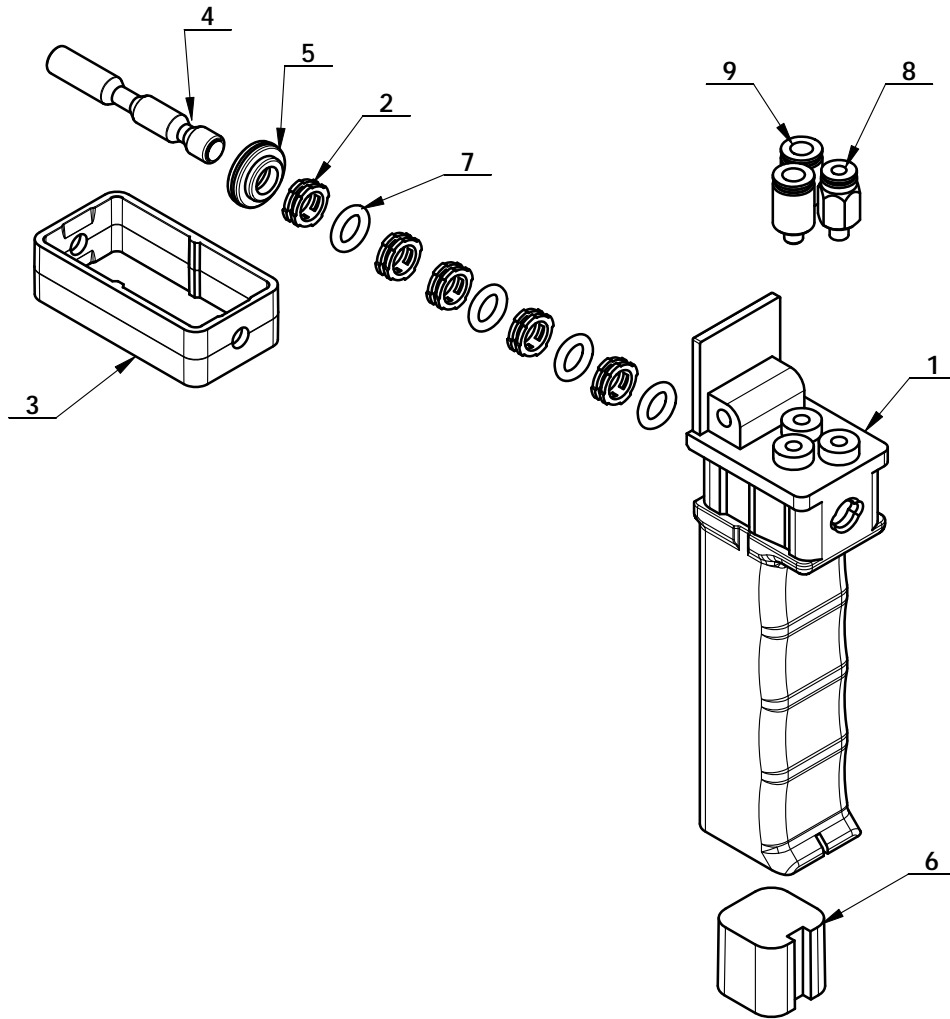


C-71-1320000



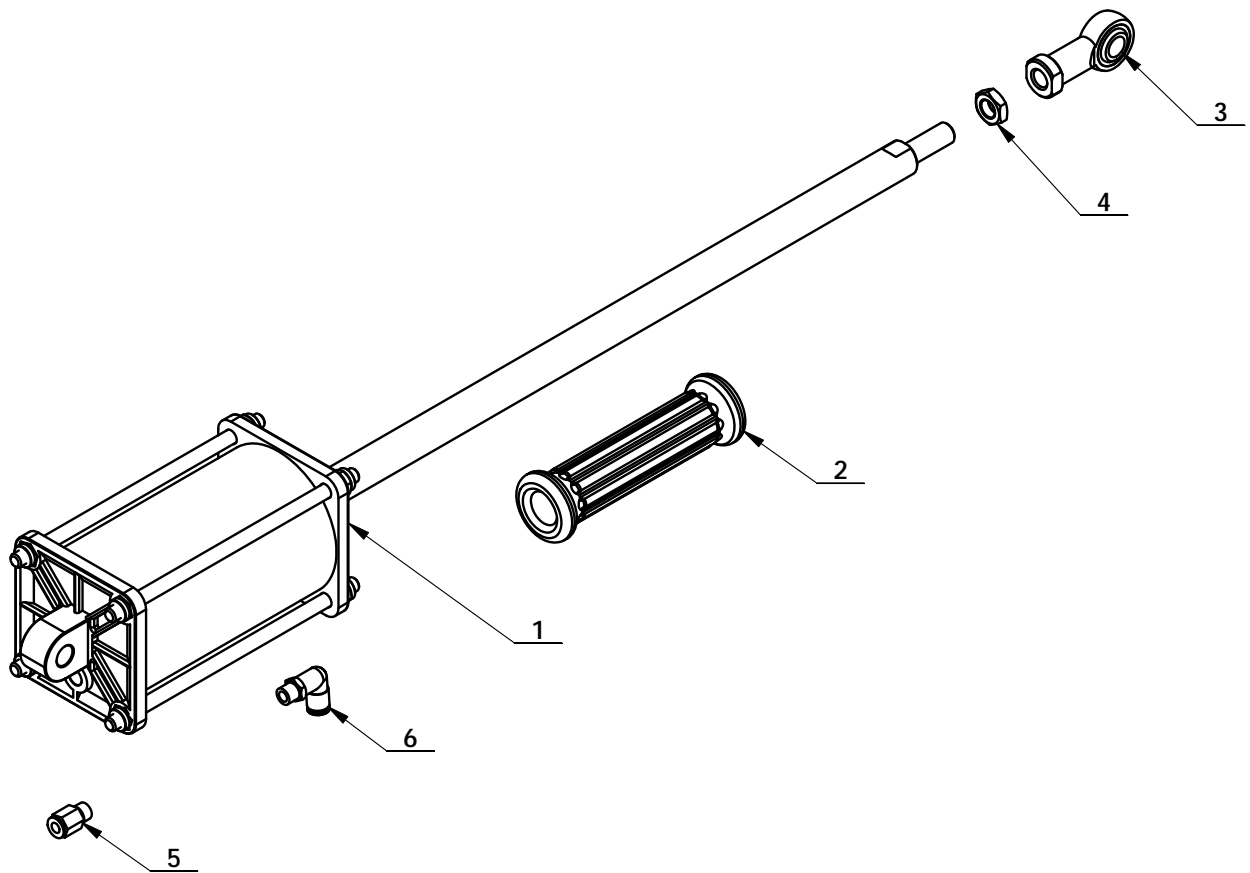
ITEM	PART. No	DESCRIPTION.	QT. Y
1	C-71-1320001	LOCK TURNTABLE CYLINDER HEAD	1
2	C-71-1320002	LOCK CYLINDER BODY	1
3	C-71-1320003	Y-RING	1
4	GB70. 1-M6×35	SCREW M6X35	2
5	GB3452. 1-6×1.8-G	HYDRAULIC-PNEUMATIC RUBBER O-RING G TYPE	2
6	PBS 6-01	MALE BRANCH TEE NUT	1

C-8A-1330000A



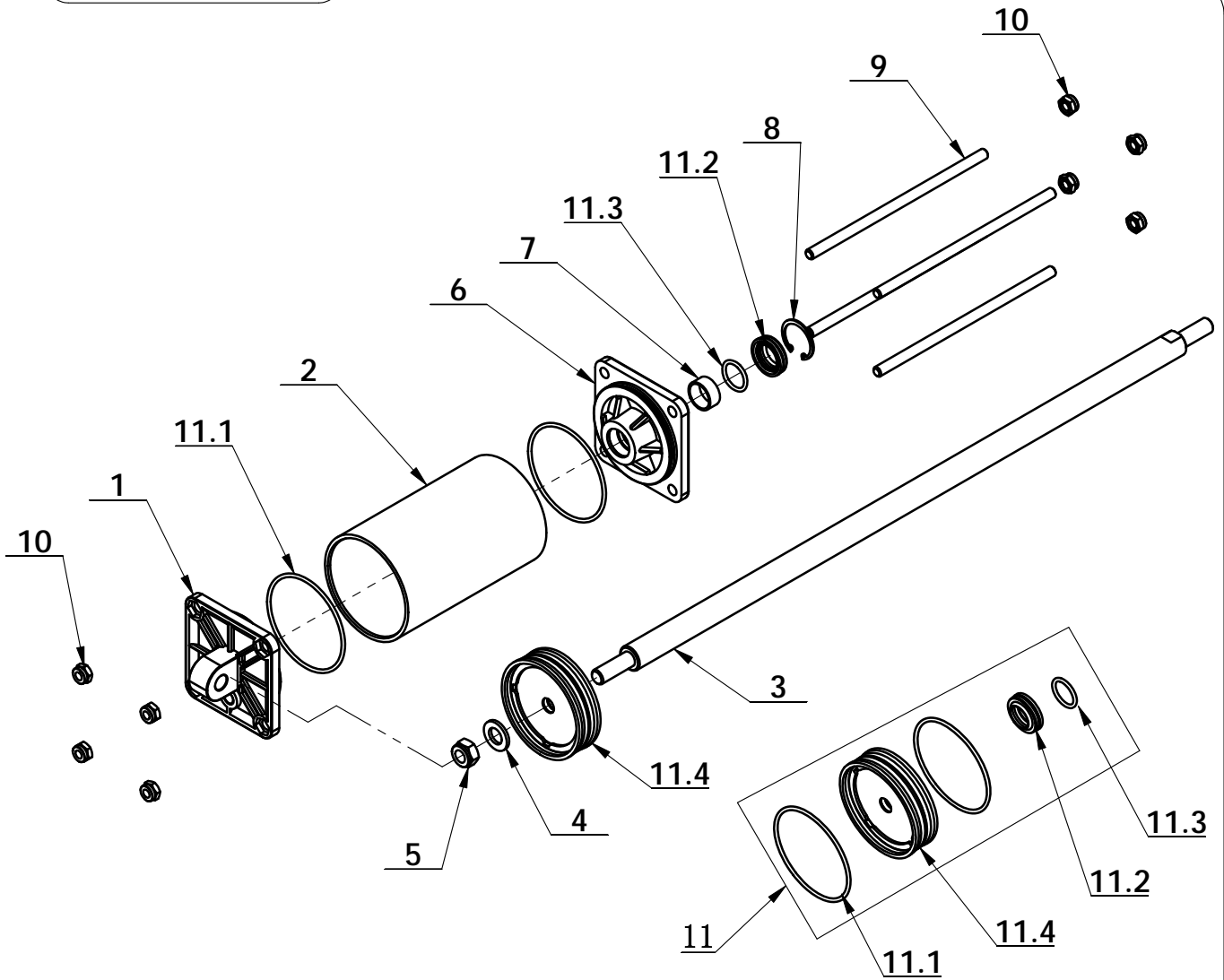
ITEM	PART. No	DESCRIPTION.	QT. Y
1	C-8A-1330010	HANDLE CONTROL VALVE BODY	1
2	C-8A-1330011	VALVE SPACER	5
3	C-8A-1330012	GUIDE RING	1
4	C-8A-1330013	VALVE ROD	1
5	C-71-1330006	FRONT SEALING COVER	1
6	C-8A-1330008	SQUARE BLOCK	1
7	GB3452.1-8×2.65-A	HYDRAULIC-PNEUMATIC RUBBER O-RING A TYPE	4
8	FPC 4-M5	MALE STRAIGHT	1
9	MFPC 6-M5	MINI MALE STRAIGHT	2

C-8R-1A20000



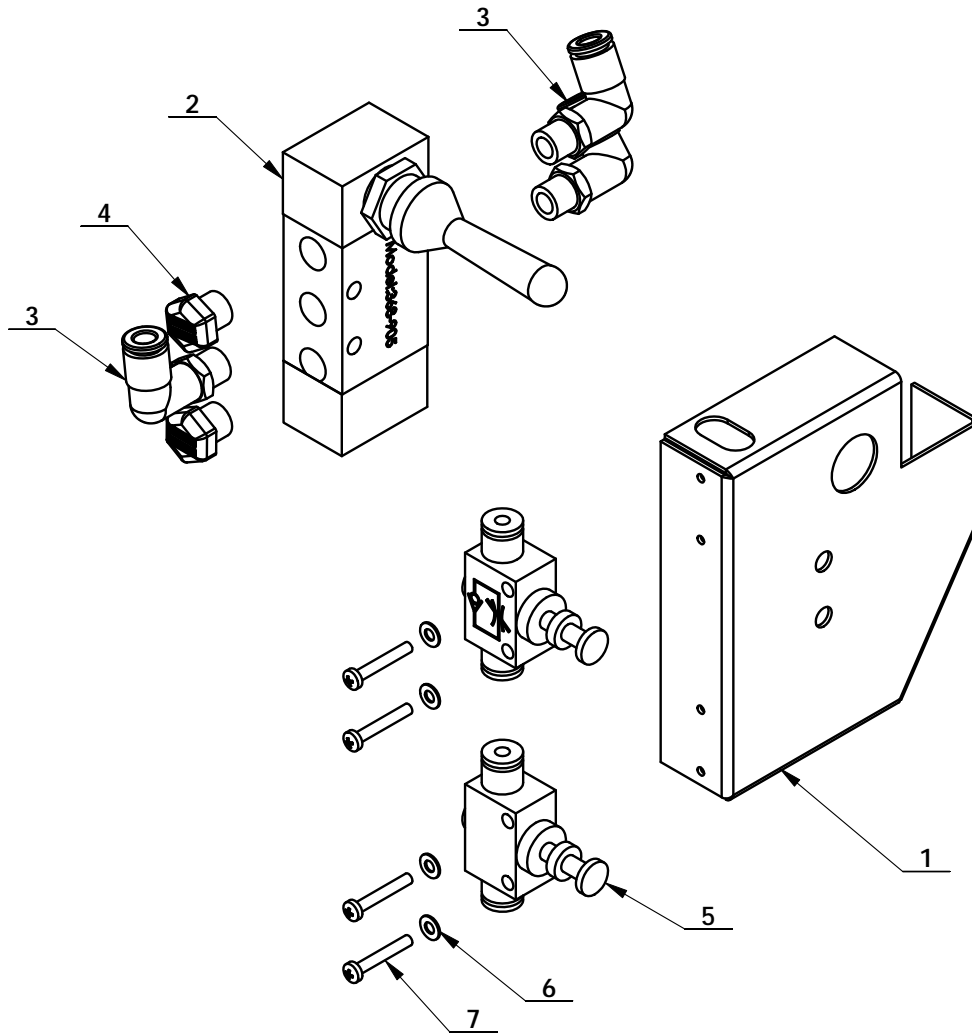
ITEM	PART. No	DESCRIPTION.	QT. Y
1	C-8R-1A21000	CYLINDER	1
2	C-8R-1A20001	RUBBER SLEEVE	1
3	CT-XD-1000007	BEARING JOINTS	1
4	GB6172. 1-M12	HEXANGULAR THIN NUT	1
5	FPC 6-01	MALE STRAIGHT	1
6	FPL 6-01	MALE ELBOW	1

C-8R-1A21000

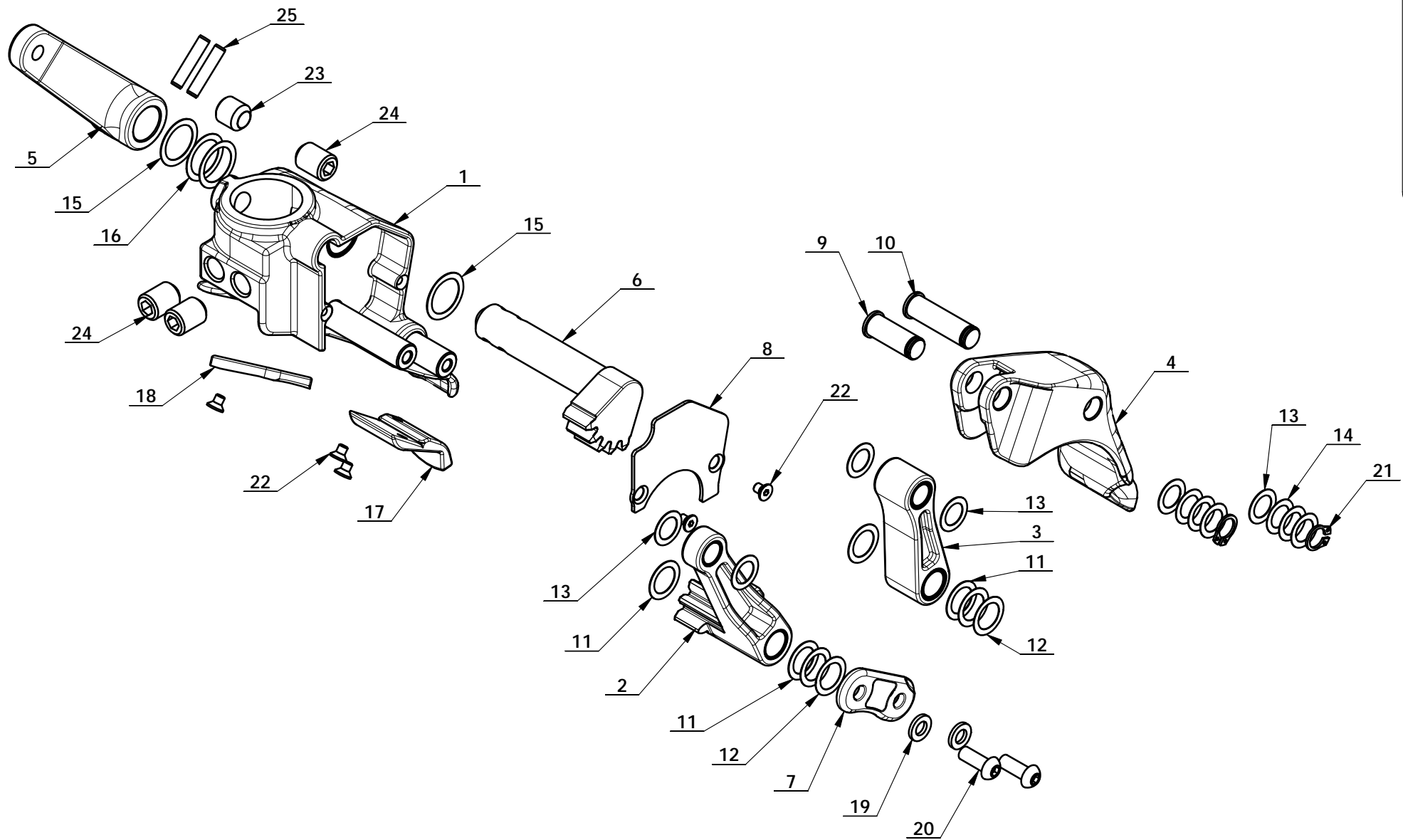


ITEM	PART. No	DESCRIPTION.	QT. Y
1	CT-Y-4120005	CAP-BASE, CYLNR	1
2	C-8A-1411001	CYLINDER BODY	1
3	C-8R-1A21001	PISTON ROD	1
4	GB95-12	FLAT WASHER	1
5	GB889. 1-M12	1- TYPE PREVAILING TORQUE TYPE HEXAGON LOCK NUT	1
6	CT-Y-4120004	CYLINDER FRONT COVER	1
7	JH1 2010	BEARING-SLIDE	1
8	GB893. 1-30	ELASTIC RETAINING RING A-TYPE	1
9	C-8R-1A21002	BOLT	4
10	GB889. 1-M8	1-TYPE PREVAILING TORQUE TYPE HEXAGON LOCK NUT	8
11	CT-Y-4121000	CYLINDER SEALING PARTS ASSEMBLY	1
11.1	GB3452. 1-75×2. 65-G	HYDRAULIC-PNEUMATIC RUBBER O-RING G TYPE	2
11.2	CT-Y-0160007	SEAL-ROD, CYLNR	1
11.3	GB3452. 1-20×2. 65	HYDRAULIC-PNEUMATIC RUBBER O-RING G TYPE	1
11.4	CT-Y-4120006	PISTON	1

C-8R-1A30000



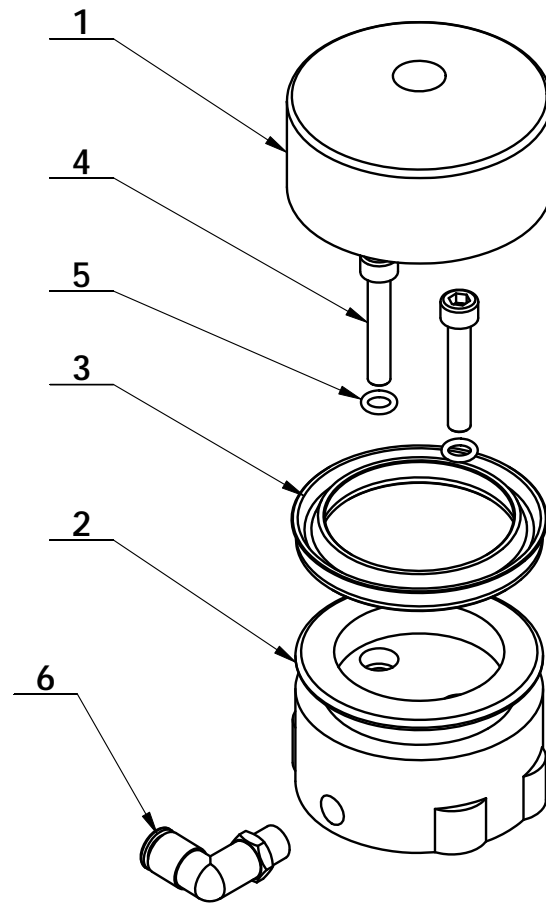
ITEM	PART. No	DESCRIPTION.	QT. Y
1	C-8R-1A30001	HANDLE VALVE COVER	1
2	C-8A-1430001	CONTROL VALVE	1
3	FPL 6-01	MALE ELBOW	3
4	FSSL 1 / 8	PARTICLE SILENCER	2
5	FPAC 4	SPEED ADJUSTMENT JOINT	2
6	GB95-3	FLAT WASHER	4
7	GB818-M3×20-H	CROSS PANHEAD SCREW	4



## C-8R-1A40000

ITEM	PART. No	DESCRIPTION.	QT. Y
1	C-8R-1A41000	DEMOUNTING HEAD	1
2	C-8R-1A42000	GEAR LINKAGE ROD	1
3	C-8R-1A43000	LINKAGE ROD	1
4	C-8R-1A40001	DEMOUNTING HOOK	1
5	C-8R-1A40002	CYLINDER LINKAGE ROD	1
6	C-8R-1A40003	GEAR SHAFT	1
7	C-8R-1A40004	PRESSURE PAD	1
8	C-8R-1A40005	COVER	1
9	C-8R-1A40008	SHAFT A	1
10	C-8R-1A40009	SHAFT B	1
11	C-8R-1A40010	ADJUST WASHER 12.5×18×0.3	4
12	C-8R-1A40010A	ADJUST WASHER 12.5×18×0.2	4
13	C-8R-1A40011	ADJUST WASHER 10.5×16×0.3	6
14	C-8R-1A40011A	ADJUST WASHER 10.5×16×0.2	6
15	C-8R-1A40012	ADJUST WASHER 16.5×22×0.3	2
16	C-8R-1A40012A	ADJUST WASHER 16.5×22×0.2	2
17	C-8R-1A40013	SHEATH	1
18	C-8R-1A40014	PROTECTIVE PAD	1
19	GB95-6	FLAT WASHER	2
20	GB70. 2-M6×16	INNER HEXA CYLINDRICAL ROUND HEAD SCREW	2
21	GB894. 1-10	SHAFT ELATIC BIG RETAINING RING A-TYPE	2
22	GB70. 3-M4×6	INNER COUNTERSUNK SCREW	5
23	GB80-M12×12	INNER HEXA RECESSED TERMINUS SET SCREW	1
24	GB80-M12×16	INNER HEXA RECESSED TERMINUS SET SCREW	3
25	GB119. 1-5×24	CYLINDRICAL PIN	2

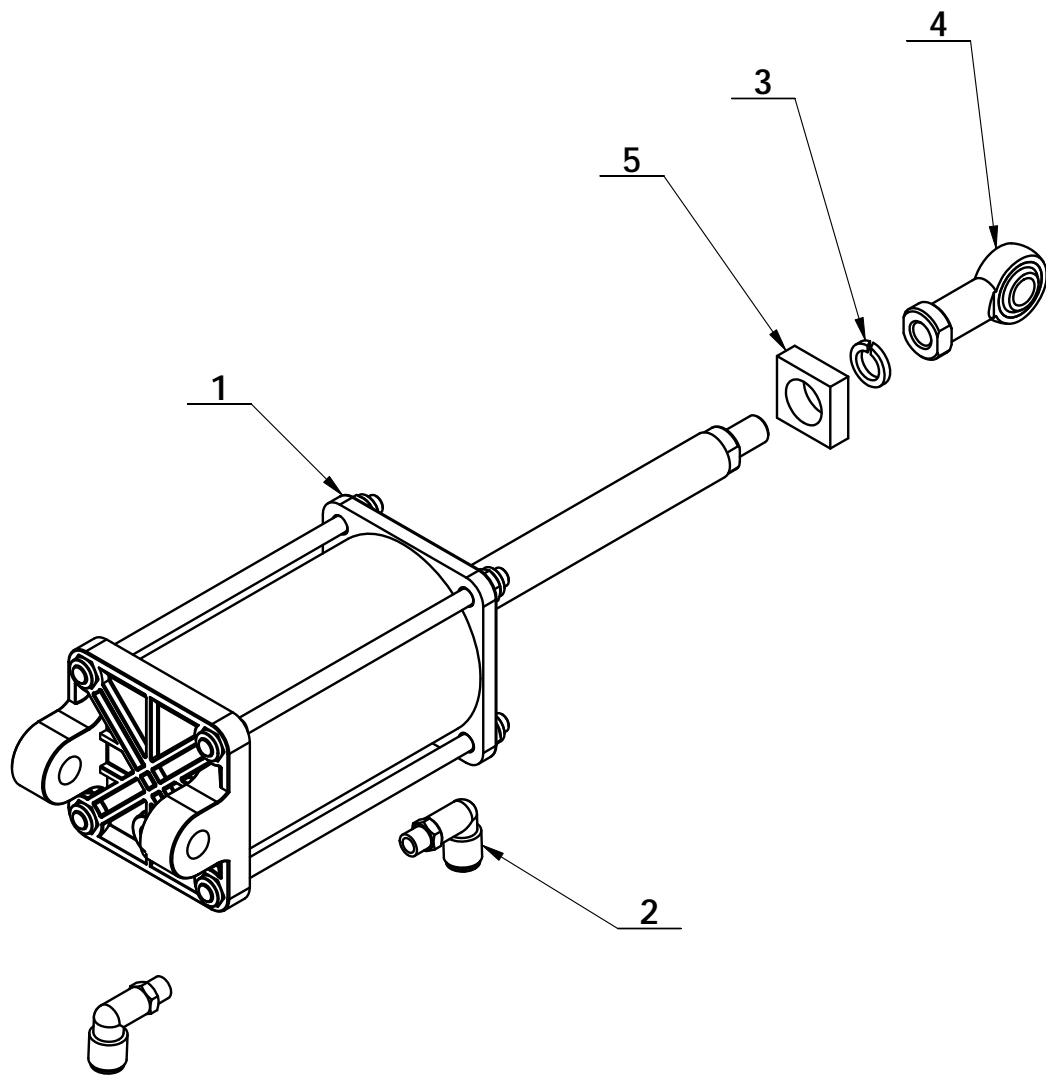
C-77-1500000



ITEM	PART. No	DESCRIPTION.	QT. Y
1	C-71-1320001	LOCK TURNTABLE CYLINDER HEAD	1
2	C-71-1320002	LOCK CYLINDER BODY	1
3	C-71-1320003	Y-RING	1
4	GB70. 1-M6×35	INNER HEXA CYLINDRICAL SCREW	2
5	GB3452. 1-6×1.8-G	HYDRAULIC-PNEUMATIC RUBBER O-RING G TYPE	2
6	FPL 6-01	MALE ELBOW	1

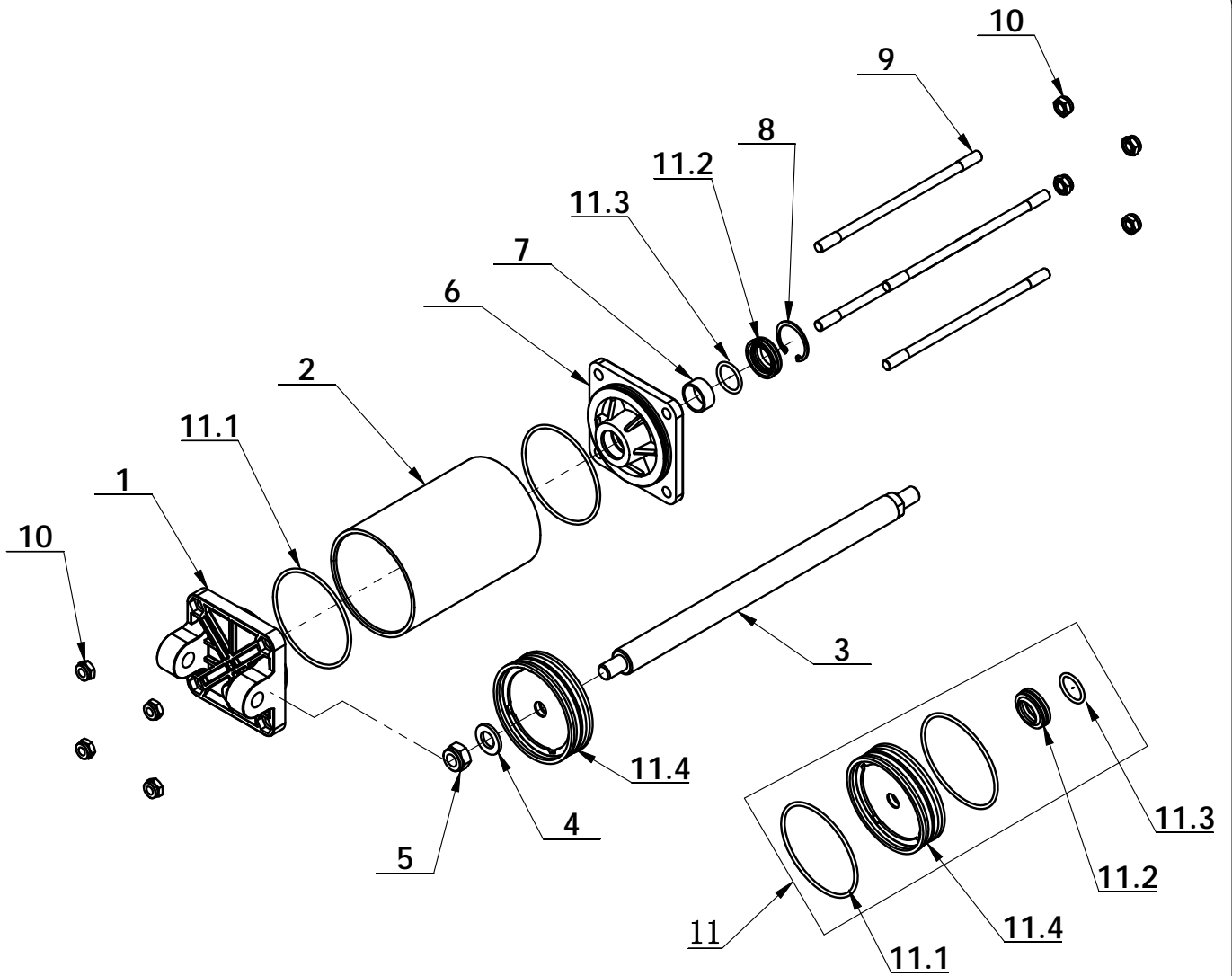


CT-XD-1000000A

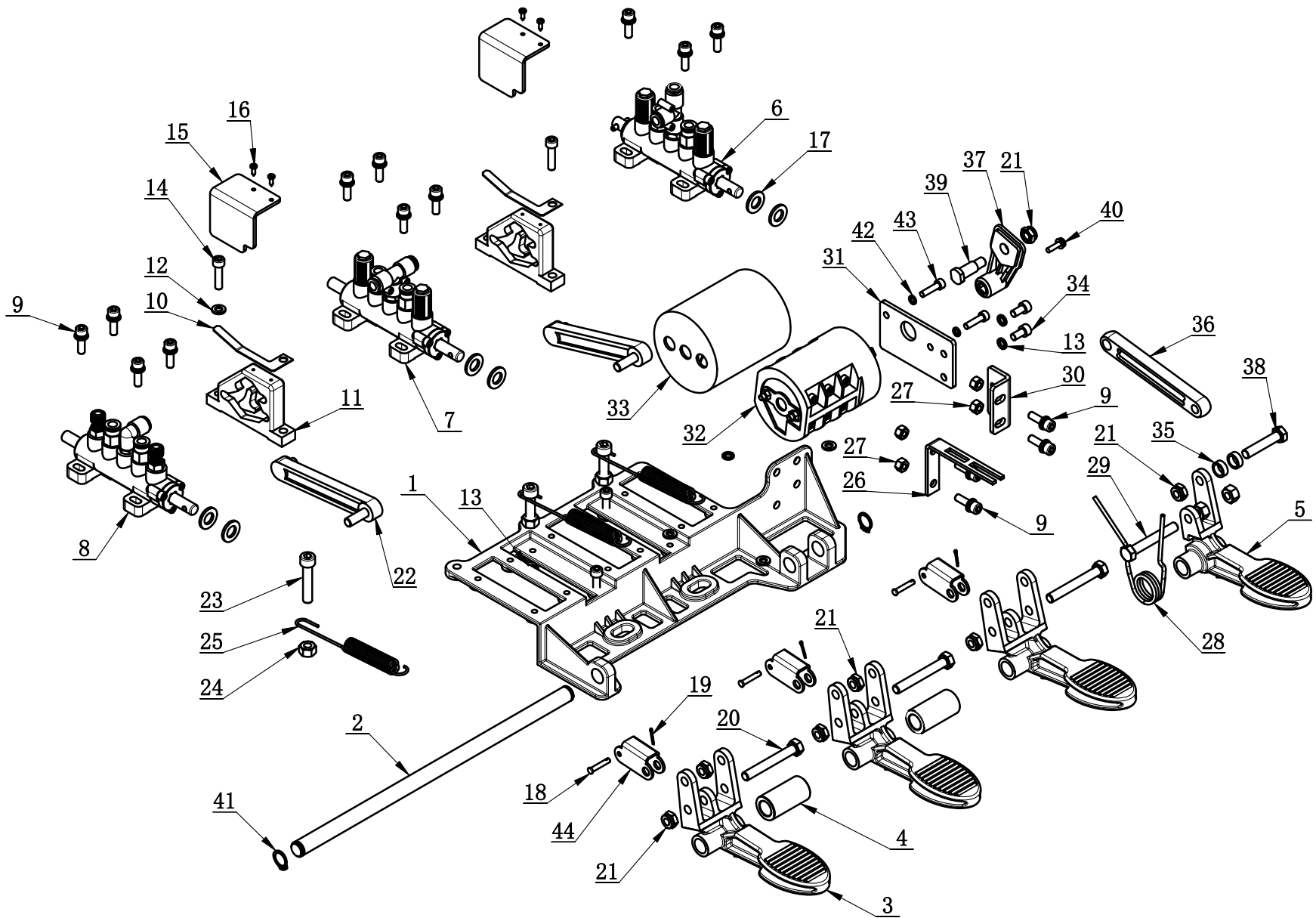


ITEM	PART. No	DESCRIPTION.	QT. Y
1	CT-XD-1200000	PULL-OUT CYLINDER	1
2	FPL 8-01	INSERT ELBOW $\Phi 8$ , R1/8	2
3	GB93-12	STANDARD SPRING WASHER	1
4	CT-XD-1000007	BEARING JOINTS	1
5	H-12-1000001	FELT WASHER	1

CT-XD-1200000

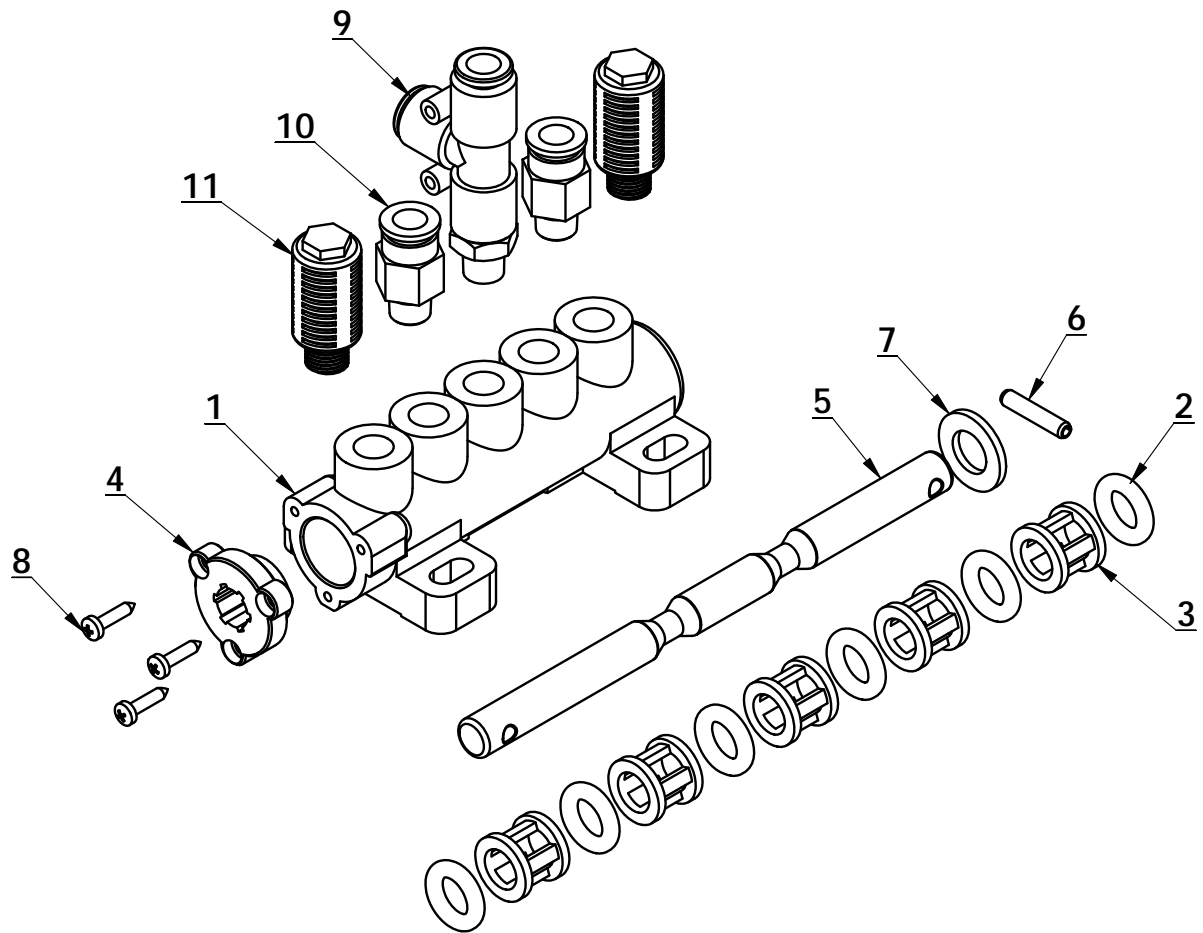


ITEM	PART. No	DESCRIPTION.	QT. Y
1	CT-XD-1000005	CYLINDER REAR COVER	1
2	CT-XD-1000001	CYLINDER BODY	1
3	CT-XD-1200001	SHAFT-CYLNDR	1
4	GB95-12	FLAT WASHER	1
5	GB889. 1-M12	1- TYPE PREVAILING TORQUE TYPE HEXAGON LOCK NUT	1
6	CT-Y-4120004	CYLINDER FRONT COVER	1
7	JH1 2010	BEARING-SLIDE	1
8	GB893. 1-30	ELASTIC RETAINING RING A-TYPE	1
9	CT-XD-1000003	BARS	4
10	GB889. 1-M8	1-TYPE PREVAILING TORQUE TYPE HEXAGON LOCK NUT	8
11	CT-Y-4121000	CYLINDER SEALING PARTS ASSEMBLY	1
11. 1	GB3452. 1-75×2. 65-G	HYDRAULIC-PNEUMATIC RUBBER O-RING G TYPE	2
11. 2	CT-Y-0160007	SEAL-ROD, CYLNDR	1
11. 3	GB3452. 1-20×2. 65	HYDRAULIC-PNEUMATIC RUBBER O-RING G TYPE	1
11. 4	CT-Y-4120006	PISTON	1

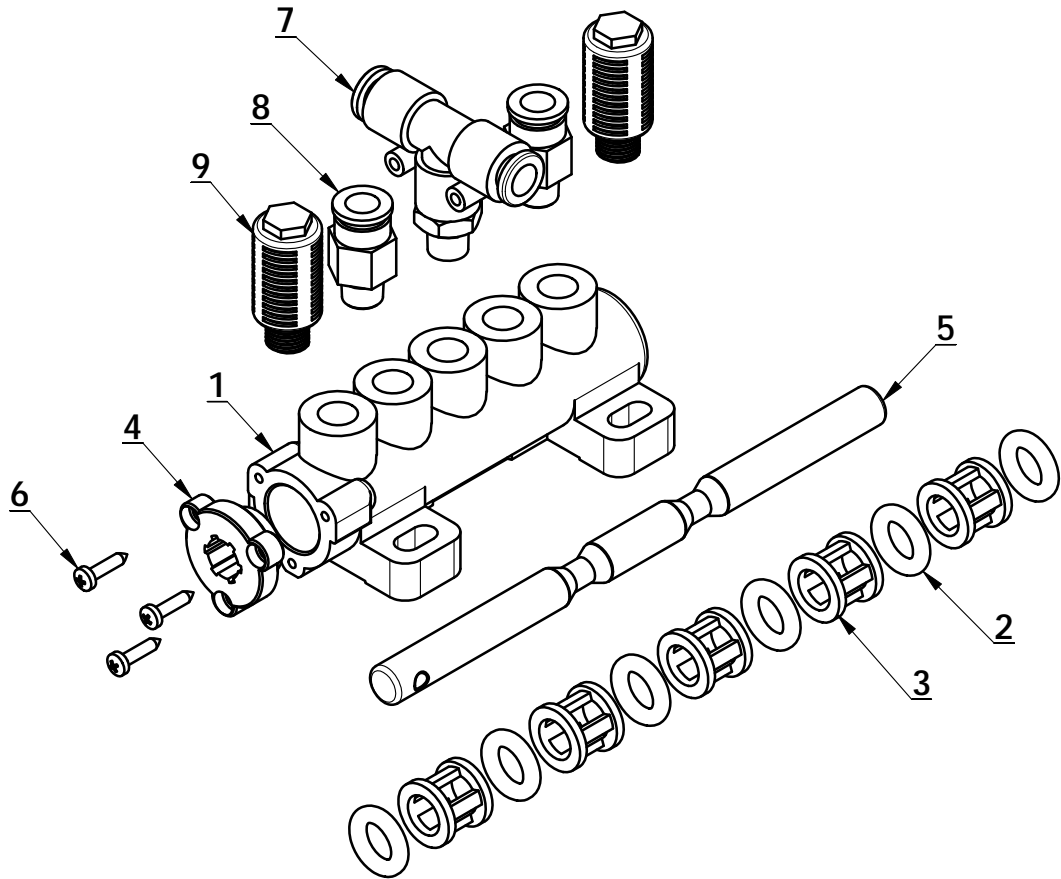


CT-D-6100000

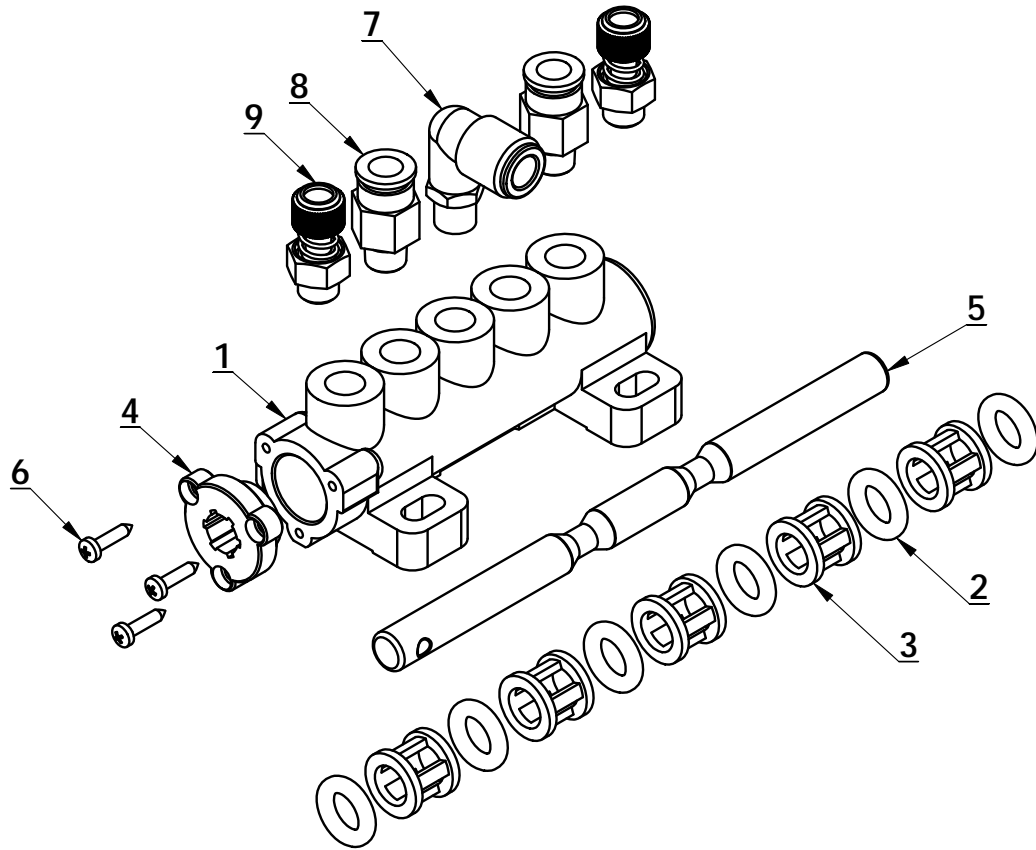
ITEM	PART. No	DESCRIPTION.	QT. Y
1	CT-D-6100001	PEDAL SUPPORT	1
2	CT-D-6100002	BOTTOM SHAFT	1
3	CT-D-5100003	PEDAL	3
4	CT-D-2100001	SPACER	2
5	CT-D-5100002	PEDAL	1
6	CT-D-0010000	VALVE	1
7	CT-D-0014000	VALVE	1
8	CT-D-0015000	VALVE	1
9	GB9074-M6×20	COMBINATION SCREW	15
10	CT-D-2100004	SPRING PLATE	2
11	CT-D-1100009	CAM	2
12	GB95-6	FLAT WASHER	4
13	GB93-6	STANDARD SPRING WASHER	6
14	GB70.1-M6×25	INNER HEXA CYLINDRICAL SCREW	4
15	CT-D-5100010	CAM BAFFLE PLATE	2
16	GB845-ST2.9×9.5 H C	CROSS PANHEAD TAPPING SCREW	4
17	GB95-10	FLAT WASHER	6
18	GB882-4×22	PIN SHAFT	3
19	GB91-1.6×10	SLOTTED PIN	3
20	GB5782-M8×60	HEXANGULAR BOLT	3
21	GB889.1-M8	1-TYPE PREVAILING TORQUE TYPE HEXAGON LOCK NUT	7
22	CT-D-1100008	CAM CONNECTING ROD	2
23	GB70.1-M8×40	INNER HEXA CYLINDRICAL SCREW	3
24	GB41-M8	HEXANGULAR NUT	5
25	CT-D-5100007	SPRING	3
26	CT-D-2100010	TORSION SPRING BRACKET	1
27	GB41-M6	HEXANGULAR NUT	4
28	CT-D-2100002	TORSION SPRING	1
29	GB5782-M8×55	HEXANGULAR BOLT	1
30	CT-D-5100008	SWITCH SUPPORT	1
31	CT-D-5100009	SWITCH SUPPORT	1
32	CT-D-1100018	SWITCH	1
33	CT-D-1100014	SWITCH COVER	1
34	GB70.1-M6×12	INNER HEXA CYLINDRICAL SCREW	2
35	CT-D-2100005	SPACER	2
36	CT-D-2100011	CONNECTION ROD	1
37	CT-D-1100010	REVERSE LEVER	1
38	GB5783-M8×40	HEXANGULAR BOLT	1
39	CT-D-2100012	ROTATION SHAFT	1
40	GB9074.4-M4×16	SCREW	1
41	GB894.1-14	SHAFT ELATIC BIG RETAINING RING A-TYPE	2
42	GB93-5	STANDARD SPRING WASHER	2
43	GB70.1-M5×20	INNER HEXA CYLINDRICAL SCREW	2
44	CT-D-5100005	CONNECTION PART	3



ITEM	PART. No	DESCRIPTION.	QT. Y
1	CT-D-1110001	VALVE BODY	1
2	CT-D-1110003	O-RING	6
3	CT-D-1110004	SPACER	5
4	CT-D-1110005	VALVE CAP	1
5	CT-D-2600001	VALVE ROD	1
6	GB879. 1-4×20	PIN	1
7	GB95-10	FLAT WASHER	1
8	GB845-ST2. 9×13 H C	SCREW	3
9	FPD 8-01	MALE RUN TEE	1
10	FPC 8-01	MALE STRAIGHT	2
11	FSK 01	PLASTIC PARTICLE SILENCER	2

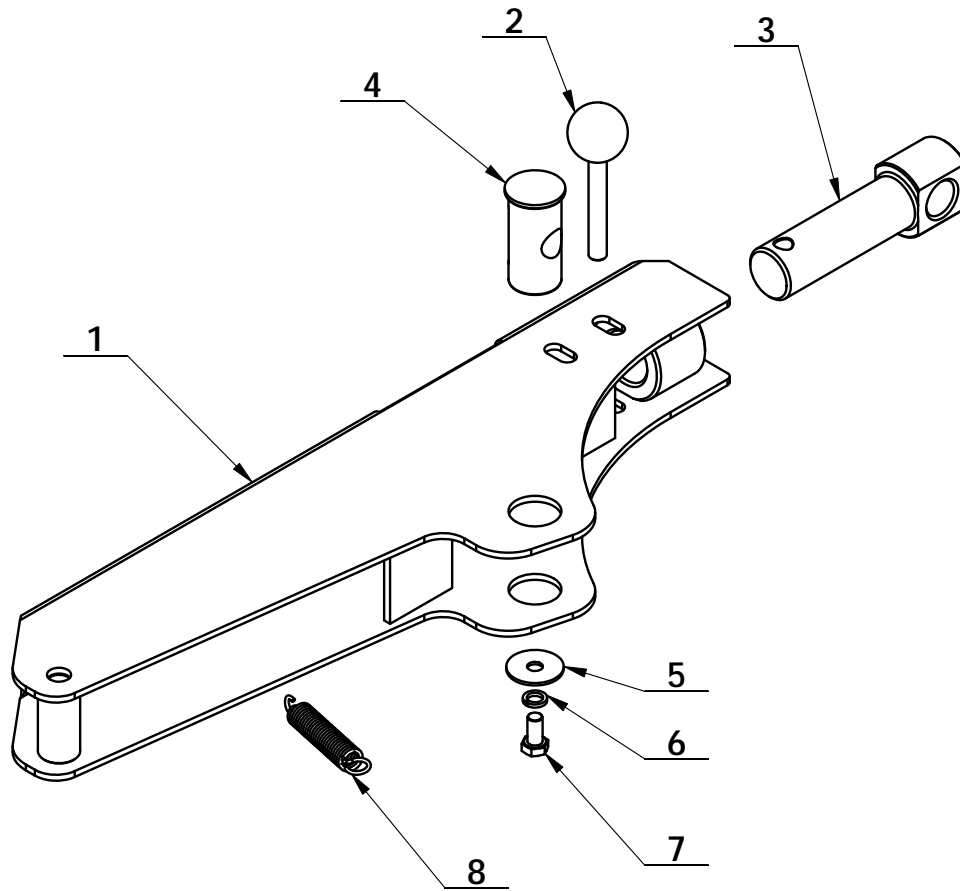


ITEM	PART. No	DESCRIPTION.	QT. Y
1	CT-D-1110001	VALVE BODY	1
2	CT-D-1110003	O-RING	6
3	CT-D-1110004	SPACER	5
4	CT-D-1110005	VALVE CAP	1
5	CT-D-2600003	VALVE ROD	1
6	GB845-ST2.9×13 H C	CROSS PANHEAD TAPPING SCREW	3
7	FPB 8-01	INSERT TEE, Φ8 , R1/8	1
8	FPC 8-01	MALE STRAIGHT	2
9	FSK 01	PLASTIC PARTICLE SILENCER	2



ITEM	PART. No	DESCRIPTION.	QT. Y
1	CT-D-1110001	VALVE BODY	1
2	CT-D-1110003	O-RING	6
3	CT-D-1110004	SPACER	5
4	CT-D-1110005	VALVE CAP	1
5	CT-D-2600003	VALVE ROD	1
6	GB845-ST2. 9×13 H C	SCREW	3
7	FPL 8-01	INSERT ELBOW Φ8, R1/8	1
8	FPC 8-01	MALE STRAIGHT	2
9	FJSR 01	BRASS REGULATOR SILENCER	2

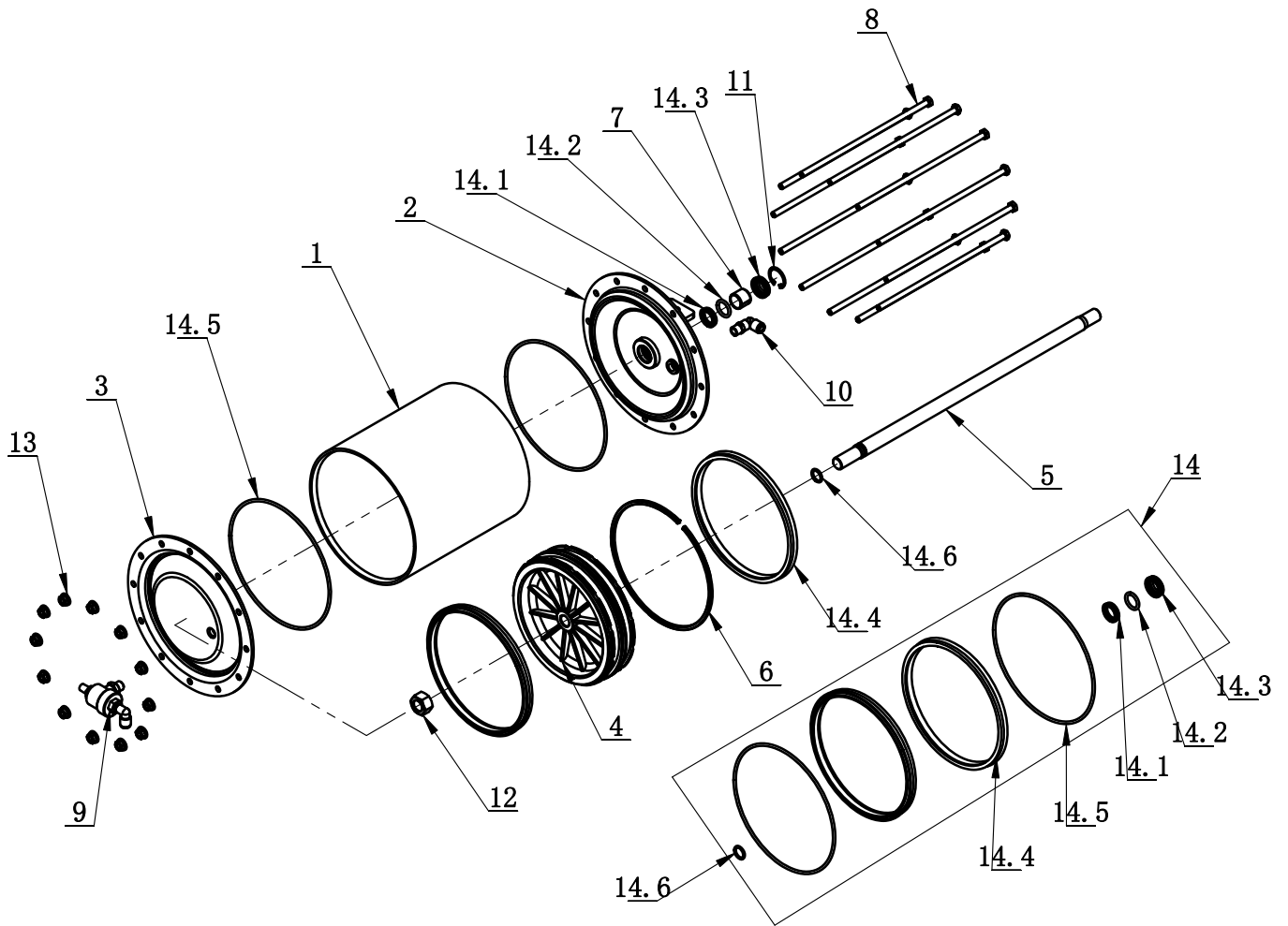
CT-B-C000000



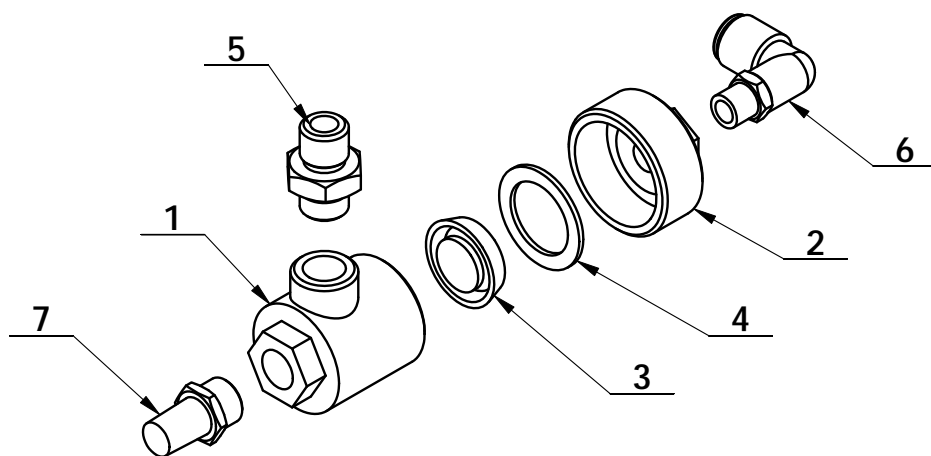
ITEM	PART. No	DESCRIPTION.	QT. Y
1	CT-B-C100000	BEAD BREAKER ARM	1
2	CT-B-A200000	PIN SHAFT	1
3	CT-B-A000001	TURN ROD	1
4	CT-B-A000002	CONNECT ROD	1
5	CT-B-6000003	PAD	1
6	GB93-10	STANDARD SPRING WASHER	1
7	GB5783-M10×20	HEXANGULAR BOLT	1
8	CT-B-2000002	SPRING	1



CT-LS-C100000

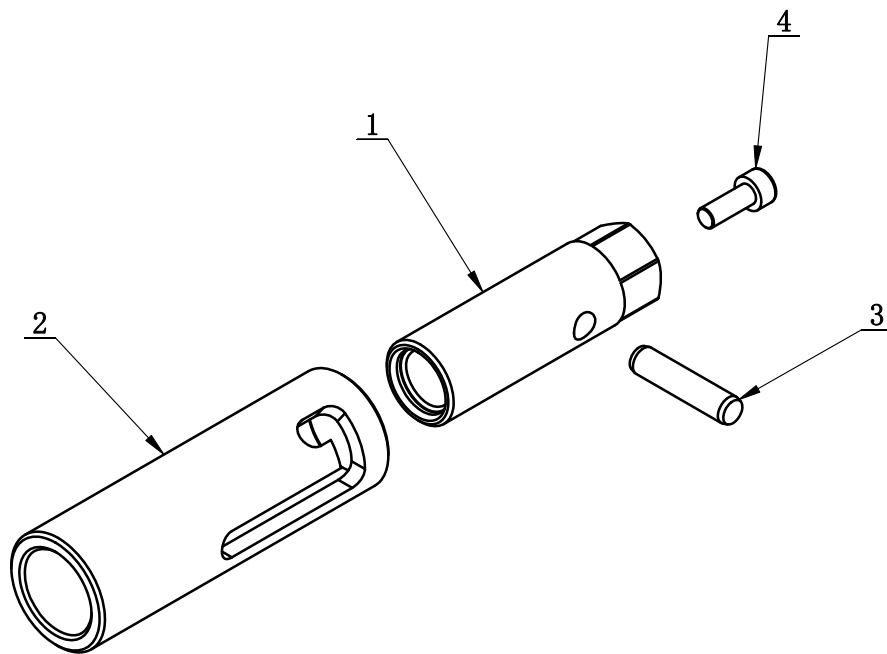


ITEM	PART. No	DESCRIPTION.	QT. Y
1	CT-LS-B100001	CYLINDER BLOCK	1
2	CT-LS-B110000	CYLINDER COVER	1
3	CT-LS-B100002	CYLINDER COVER	1
4	CT-LS-B100003	PISTON	1
5	CT-LS-C100001	CYLINDER PISTON ROD	1
6	CT-LS-B100005	CLAMP RING	1
7	TB-L-0303001	BERAING	1
8	CT-LS-B100007	BOLT	12
9	CT-LS-B120000	QUICK DEFLATE VALVE ON COVER	1
10	S6520 8-1-4	INSERT ELBOW $\Phi 8$ , R1/4	1
11	GB893. 2-30	ELASTIC RETAINING RING B-TYPE	1
12	GB6171- M18 $\times$ 1.5	NUT THIN TOOTH	1
13	GB6177. 1-M8	HEXA FLANGE NUT	12
14	CT-LS-B130000	CYCLINDER SEALING PARTS ASSEMBLY	1
14.1	CT-LS-2400002	SEALING RING	1
14.2	GB3452. 1-20 $\times$ 3.55-G	HYDRAULIC-PNEUMATIC RUBBER O-RING G TYPE	1
14.3	CT-Y-0160007	SEAL-ROD, CYLNDR	1
14.4	CT-LS-B100008	Y-RING	2
14.5	GB3452. 1-195 $\times$ 3.55-G	HYDRAULIC-PNEUMATIC RUBBER O-RING G TYPE	2
14.6	GB3452. 1-15.5 $\times$ 2.65-G	HYDRAULIC-PNEUMATIC RUBBER O-RING G TYPE	1



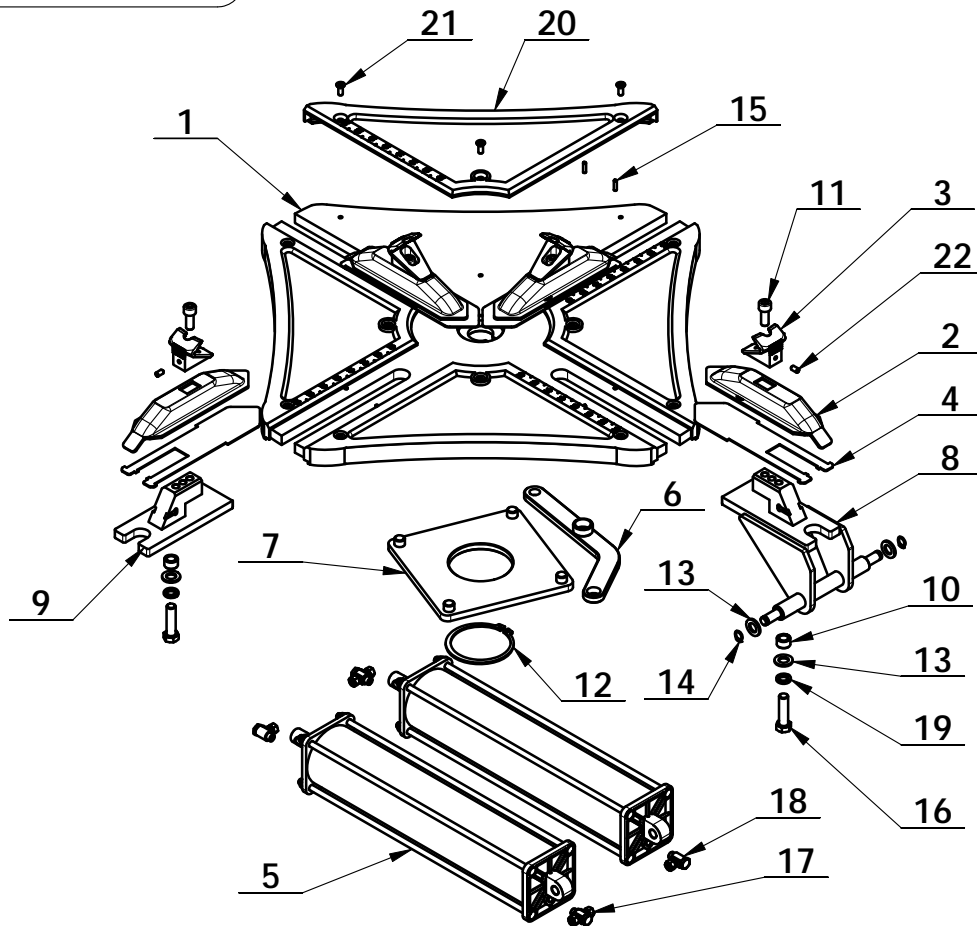
ITEM	PART.No	DESCRIPTION.	QT. Y
1	CT-LS-1310001	LOWER COVER OF QUICK DEFLATE VALVE	1
2	CT-LS-1310002	COVER OF QUICK DEFLATE VALVE	1
3	CT-LS-1310003	PISTON	1
4	CT-LS-1310004	RUBBER WASHER	1
5	CT-LS-1310005	DOUBLE SCREW R1/4	1
6	S6520 8-1-8	INSERT ELBOW $\Phi 8$ , R1/8	1
7	FSL 02	BRASS SILENCER	1

C-5B-1400000



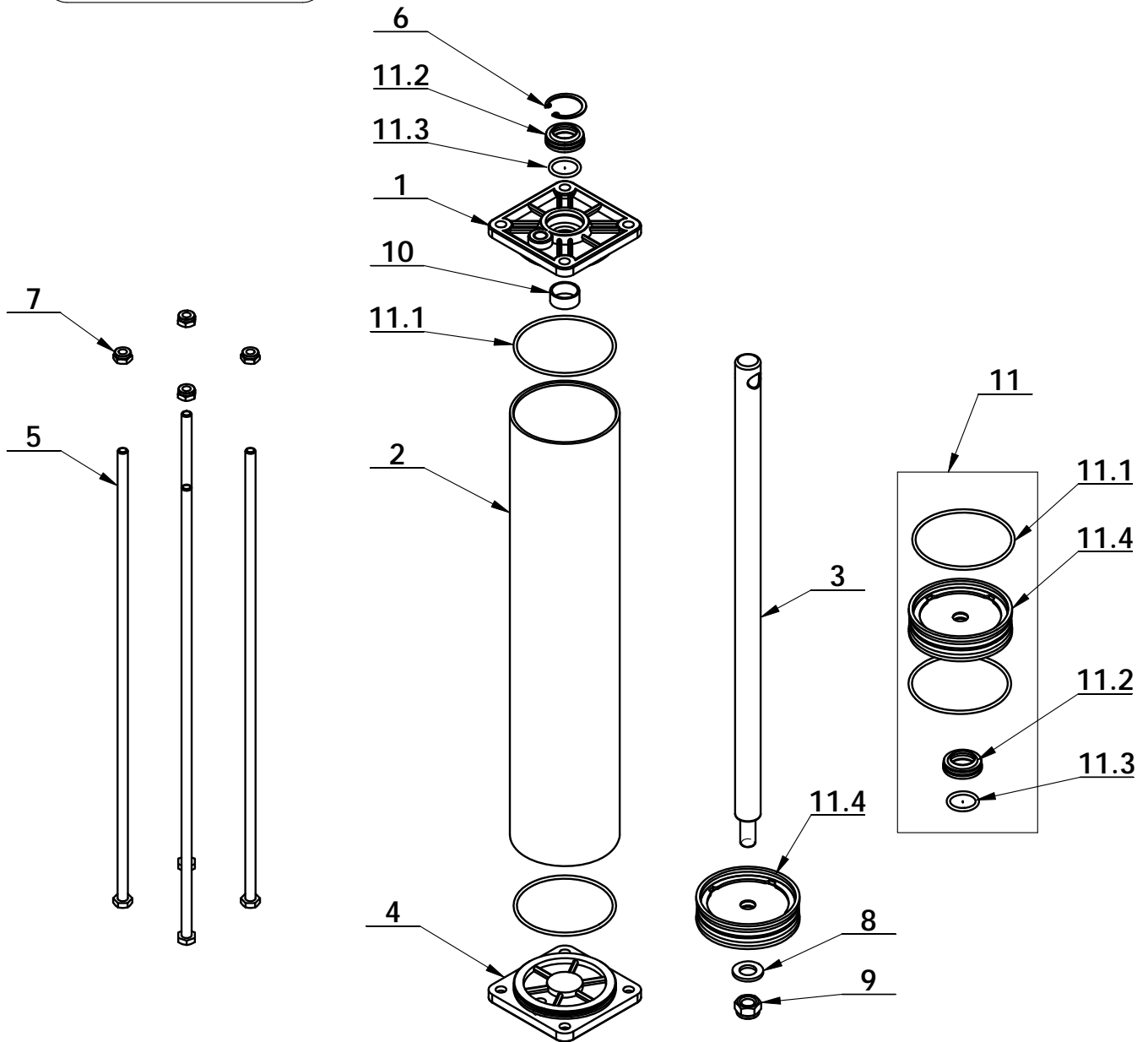
ITEM	PART. No	DESCRIPTION.	QT. Y
1	C-5B-1400001	FIXED AXIS	1
2	C-5B-1400002	REGULATE	1
3	GB119. 1-8×35	CYLINDRICAL PIN	1
4	GB70. 1-M6×16	INNER HEXA CYLINDRICAL SCREW	1

CT-Y-5000000

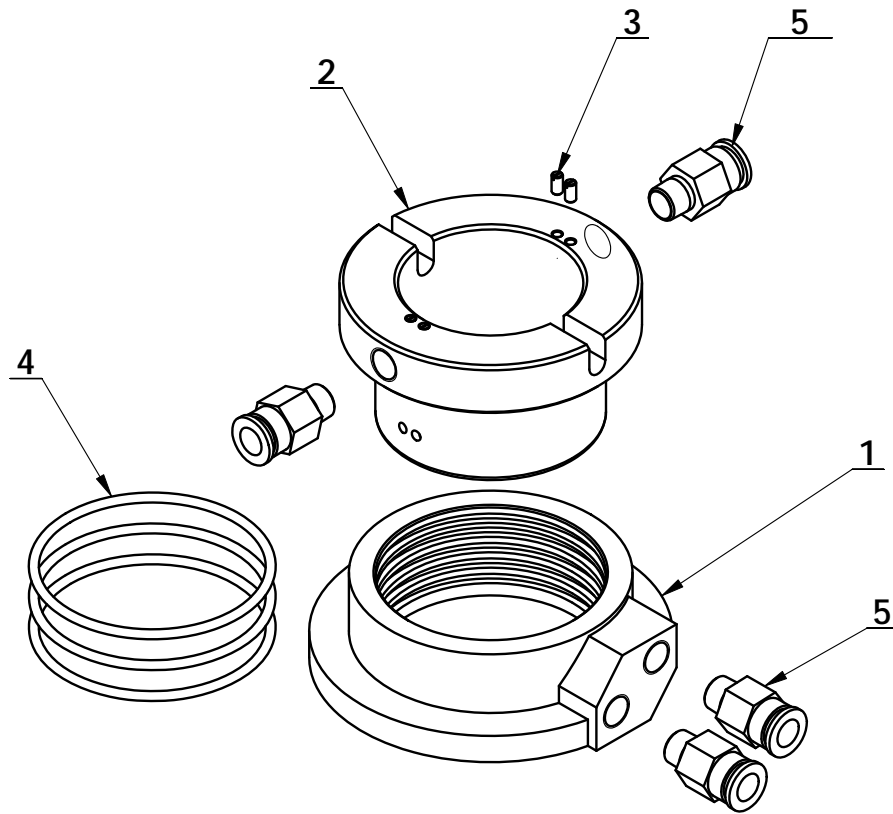


ITEM	PART. No	DESCRIPTION.	QT. Y
1	CT-Y-5040000	TURNTABLE	1
2	CT-Y-5000001	SLIDE COVER	4
3	CT-Y-5000002	CLAMP	4
4	CT-Y-5000004	WEARABLE WASHER	4
5	CT-Y-5010000	CYLINDER ASSEMBLY D80X350	2
6	CT-Y-5020000	CONNECTION PLATE	4
7	CT-Y-5030000	SQUARE TURNTABLE	1
8	CT-Y-5070000	CYLINDER BRACKET	2
9	CT-Y-5080000	PRESS PLATE WELDING	2
10	CT-Y-0100003	SPACER	4
11	GB70. 1-M10×25-12. 9	INNER HEXA CYLINDRICAL SCREW	4
12	GB894. 1-85	SHAFT ELATIC BIG RETAINING RING A-TYPE	1
13	GB95-12	FLAT WASHER	8
14	GB894. 1-12	SHAFT ELATIC BIG RETAINING RING A-TYPE	4
15	GB879. 1-4×16	ELASTIC CYLINDRICAL PIN, HEAVY	8
16	GB5782-M12×45-W8. 8	HEXANGULAR BOLT	4
17	CT-Y-0100008	HINGE ELBOW Φ8 G1/8	2
18	CT-Y-0100006	HINGE ELBOW Φ8 G1/8	2
19	GB93-12	STANDARD SPRING WASHER	4
20	CT-Y-5000005	PROTECTIVE COVER	4
21	GB70. 3-M6×16	INNER COUNTER SUNK SCREW	12
22	GB78-M6×12	INNER HEXA CONIC TERMINUS SET SCREW	4

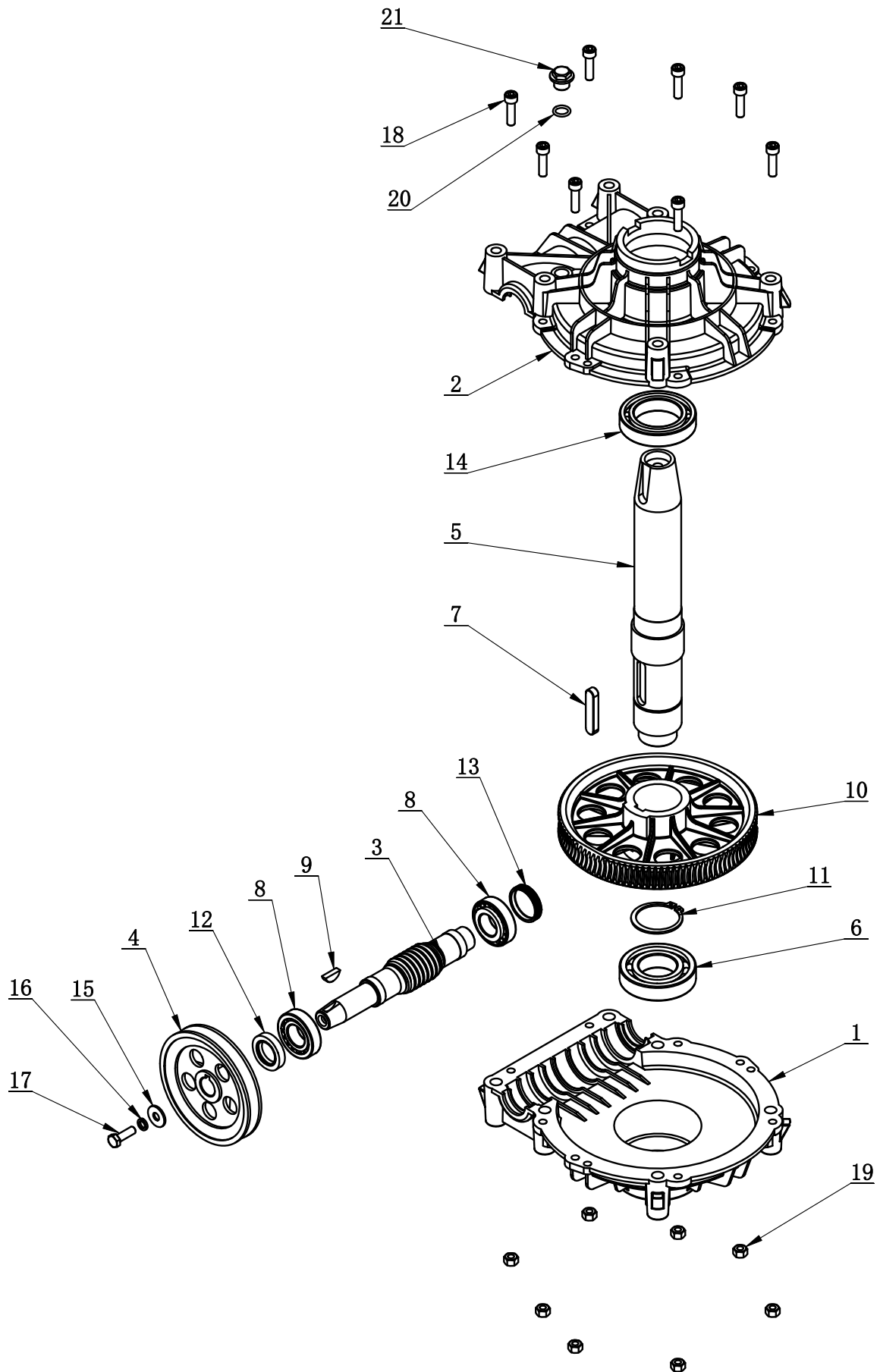
CT-Y-5010000



ITEM	PART. No	DESCRIPTION.	QT. Y
1	CT-Y-4120004	CYLINDER FRONT COVER	1
2	CT-Y-5010001	CYLINDER 80MM	1
3	CT-Y-5010002	SHAFT-CLYDR	1
4	CT-Y-4120005	CAP-BASE, CYLNDR	1
5	CT-Y-5010003	BOLT	4
6	GB893. 1-30	ELASTIC RETAINING RING A-TYPE	1
7	GB889. 1-M8	1-TYPE PREVAILING TORQUE TYPE HEXAGON LOCK NUT	4
8	GB95-12	FLAT WASHER	1
9	GB889. 1-M12	1- TYPE PREVAILING TORQUE TYPE HEXAGON LOCK NUT	1
10	JH1 2010	BEARING-SLIDE	1
11	CT-Y-4121000	CYLINDER SEALING PARTS ASSEMBLY	1
11. 1	GB3452. 1-75×2. 65-G	HYDRAULIC-PNEUMATIC RUBBER O-RING G TYPE	2
11. 2	CT-Y-0160007	SEAL-ROD, CYLNDR	1
11. 3	GB3452. 1-20×2. 65	HYDRAULIC-PNEUMATIC RUBBER O-RING G TYPE	1
11. 4	CT-Y-4120006	PISTON	1



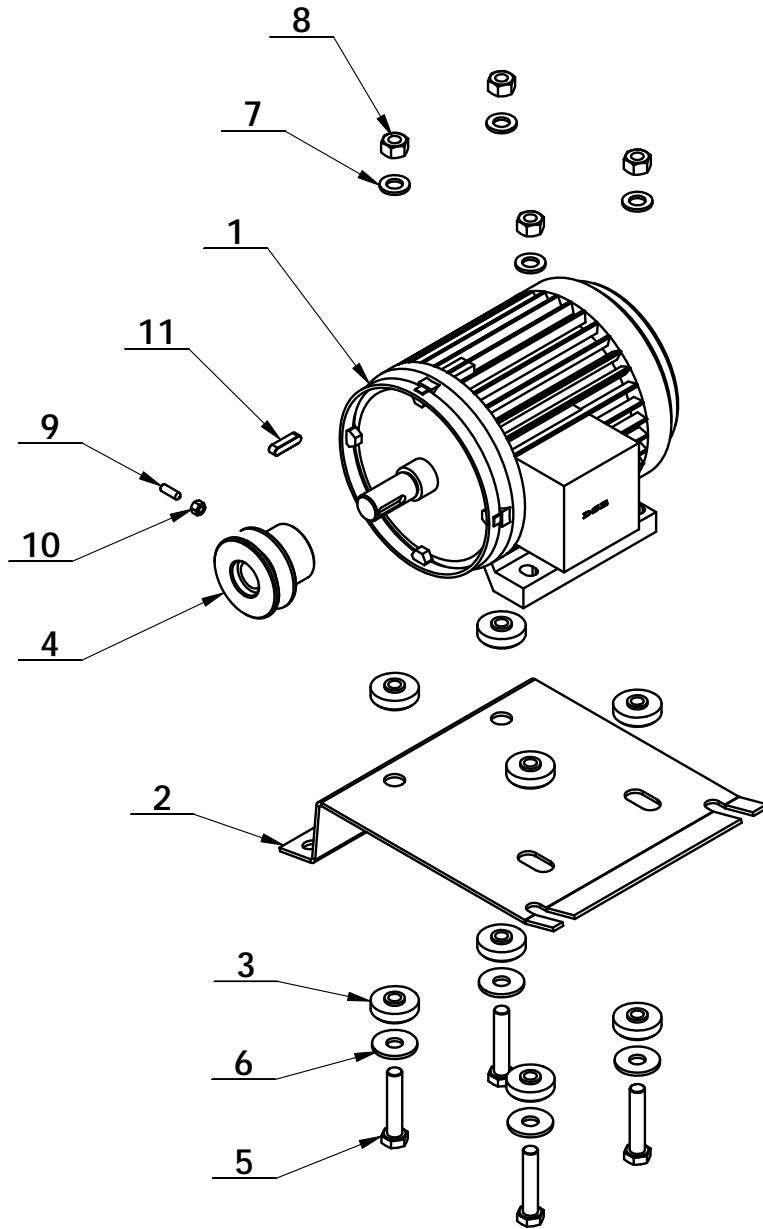
ITEM	PART. No	DESCRIPTION.	QT. Y
1	CT-Q-1000001	AIR GUIDE EXTERNAL BUSHING	1
2	CT-Q-1000002	AIR GUIDE ROTATION BUSHING	1
3	GB73-M3×6	SLOTTED FLATTEN HEAD SET SCREW	4
4	GB3452. 1-60×2. 65-G	HYDRAULIC-PNEUMATIC RUBBER O-RING G TYPE	3
5	FPC 8-01	MALE STRAIGHT	4



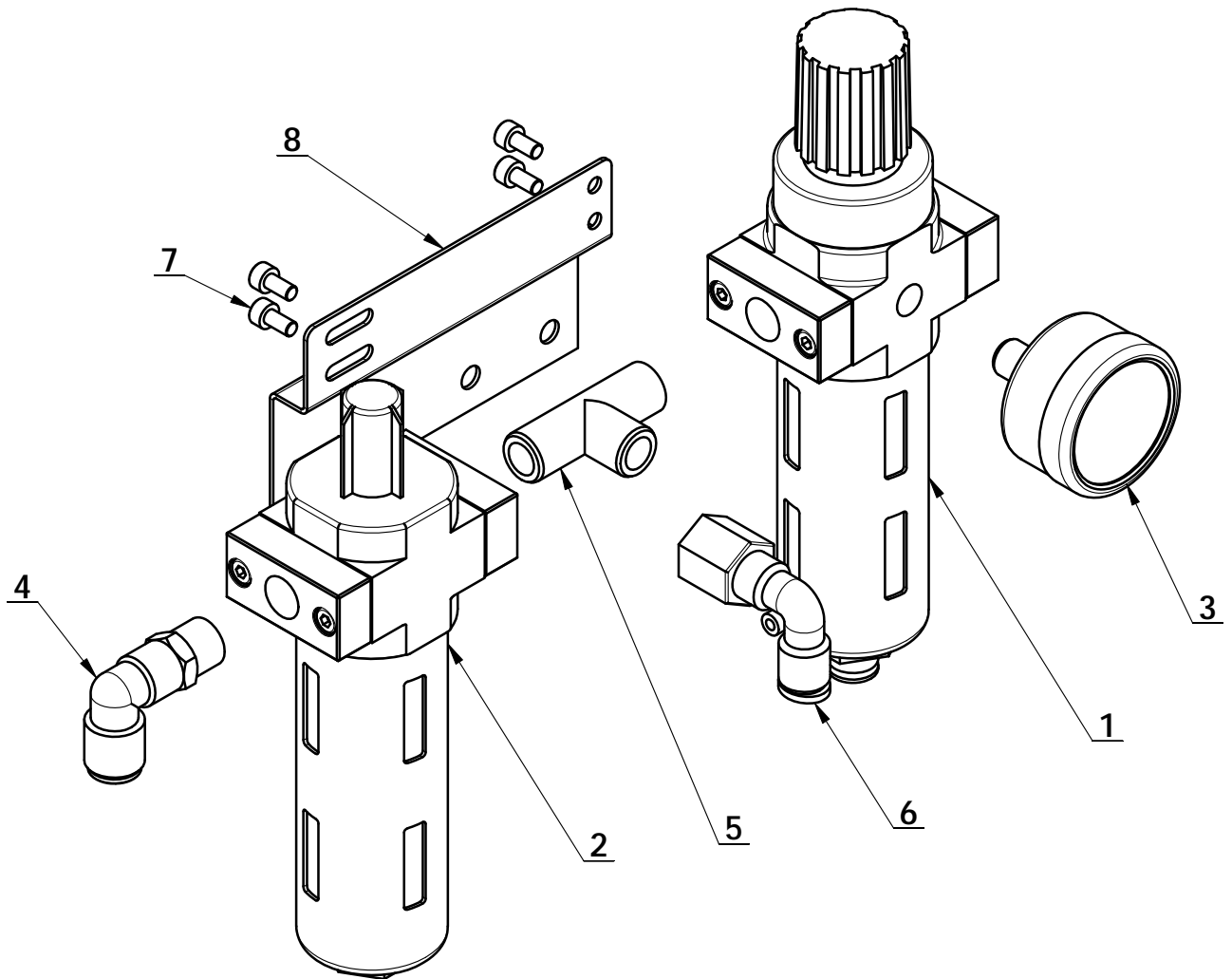
ITEM	PART. No	DESCRIPTION.	QT. Y
1	CT-J-0000005	GEARBOX	1
2	CT-J-0000006	GEARBOX TOP	1
3	CT-J-0000004	WORM ROD	1
4	CT-J-0000008	BELT PULLEY	1
5	CT-J-0000002	WORM SHAFT	1
6	GB276-6208	BEARING	1
7	GB1096-12×8×56	COMMON FLAT KEY	1
8	GB297-30205	BEARING	2
9	GB1099. 1-6×9×22	COMMON SEMI-CIRCULAR KEY	1
10	CT-J-0000003	WORM	1
11	GB894. 1-50	RETAINING RING A-TYPE	1
12	FB25-40 GB13871. 92	SEALED RING	1
13	CT-J-0100000	CAP	1
14	GB276-6010	DEEP GROOVE BALL BEARINGS	1
15	GB96. 2-8	LARGE WASHER C GRADE	1
16	GB93-8	STANDARD SPRING WASHER	1
17	GB5783-M8×25	HEXANGULAR BOLT	1
18	GB70. 1-M8×30	INNER HEXA CYLINDRICAL SCREW	8
19	GB41-M8	HEXANGULAR NUT	8
20	GB3452. 1-13. 2×2. 65-G	HYDRAULIC-PNEUMATIC RUBBER O-RING G TYPE	1
21	TC-10-1400013	BOLT	1



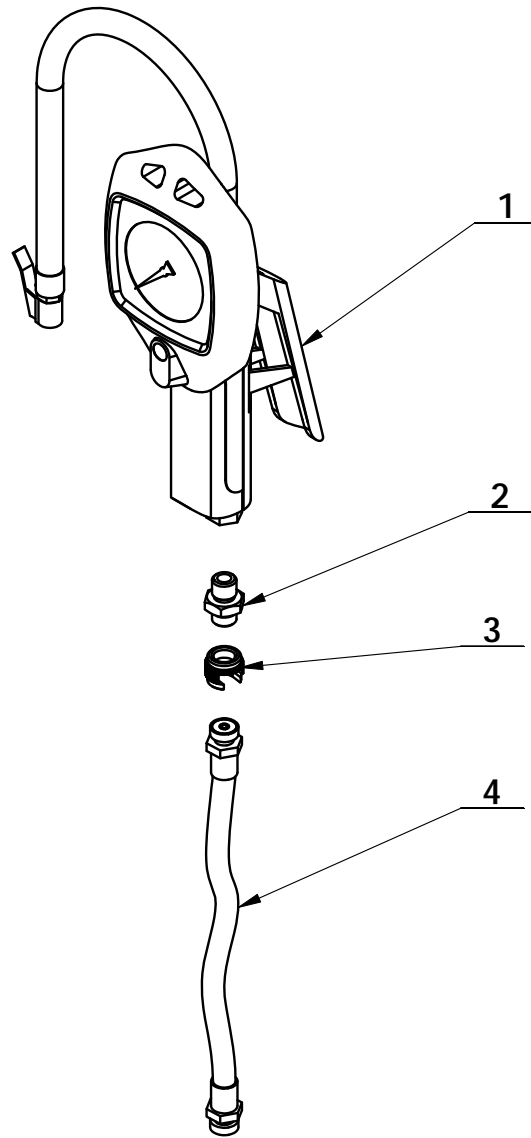
CT-DJ-0334122



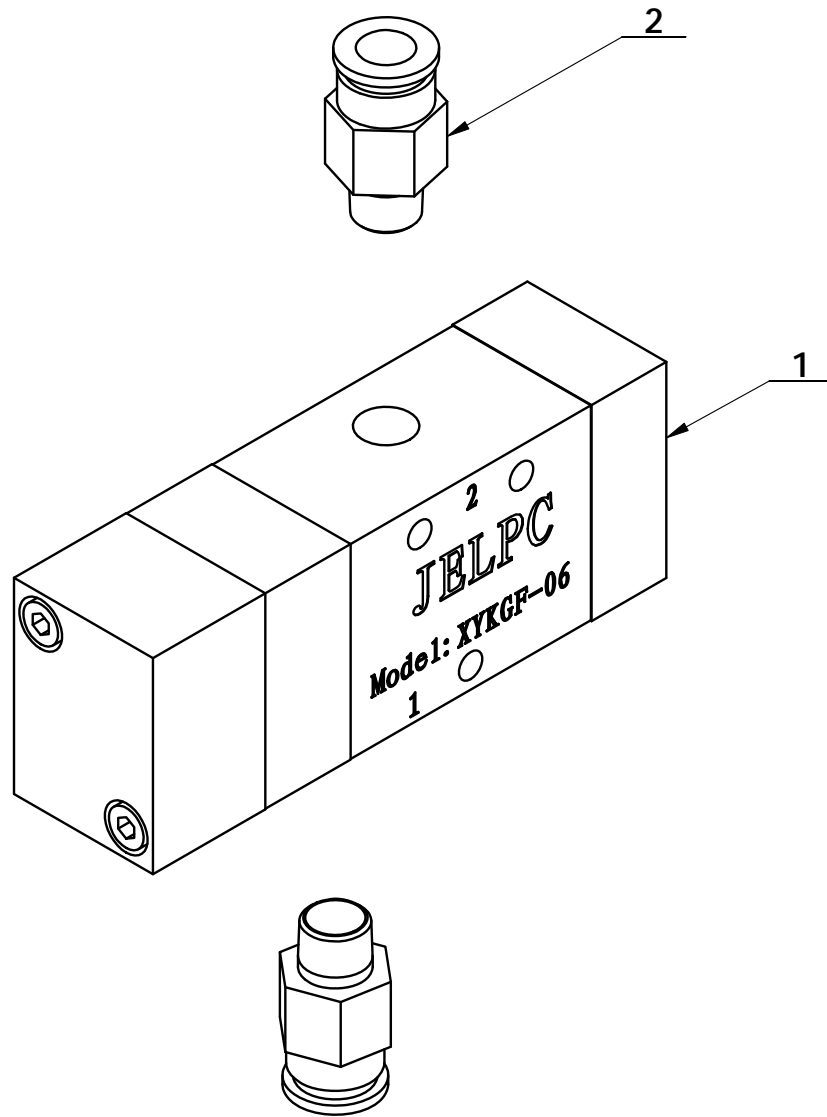
ITEM	PART. No	DESCRIPTION.	QT. Y
1	CT-DJ-0034122	MOTOR (380V, 50Hz, 3P, 0.75KW)	1
2	CT-DJ-0000001	MOTOR SUPPORT	1
3	CT-DJ-0000002	RUBBER WASHER	8
4	CT-DJ-0000004	PULLEY	1
5	GB5783-M10×50	HEXANGULAR BOLT	4
6	GB96.2-10	LARGE WASHER C GRADE	4
7	GB95-10	FLAT WASHER	4
8	GB41-M10	HEXANGULAR NUT	4
9	GB78-M5×16	INNER HEXA CONIC TERMINUS SET SCREW	1
10	GB41-M5	NUT	1
11	GB1096-6×6×25	COMMON FLAT KEY	1



ITEM	PART. No	DESCRIPTION.	QT. Y
1	CT-F-2000010	PRESSURE ADJUST VALVE AND WATER CUP	1
2	CT-F-2000020	OIL CUP	1
3	CT-F-2000003	PRESSURE GAUGE	1
4	FPL 8-02	INSERT ELBOW $\Phi 8, R1/4$	1
5	PEH 02-02	FEMALE UNION TEE	1
6	FPLF8-02	INSERT ELBOW $\phi 8, R1/4$	1
7	GB70. 1-M4 $\times$ 8	INNER HEXA CYLINDRICAL SCREW	4
8	CT-F-2000040	AIR REGULATOR BRACKET	1

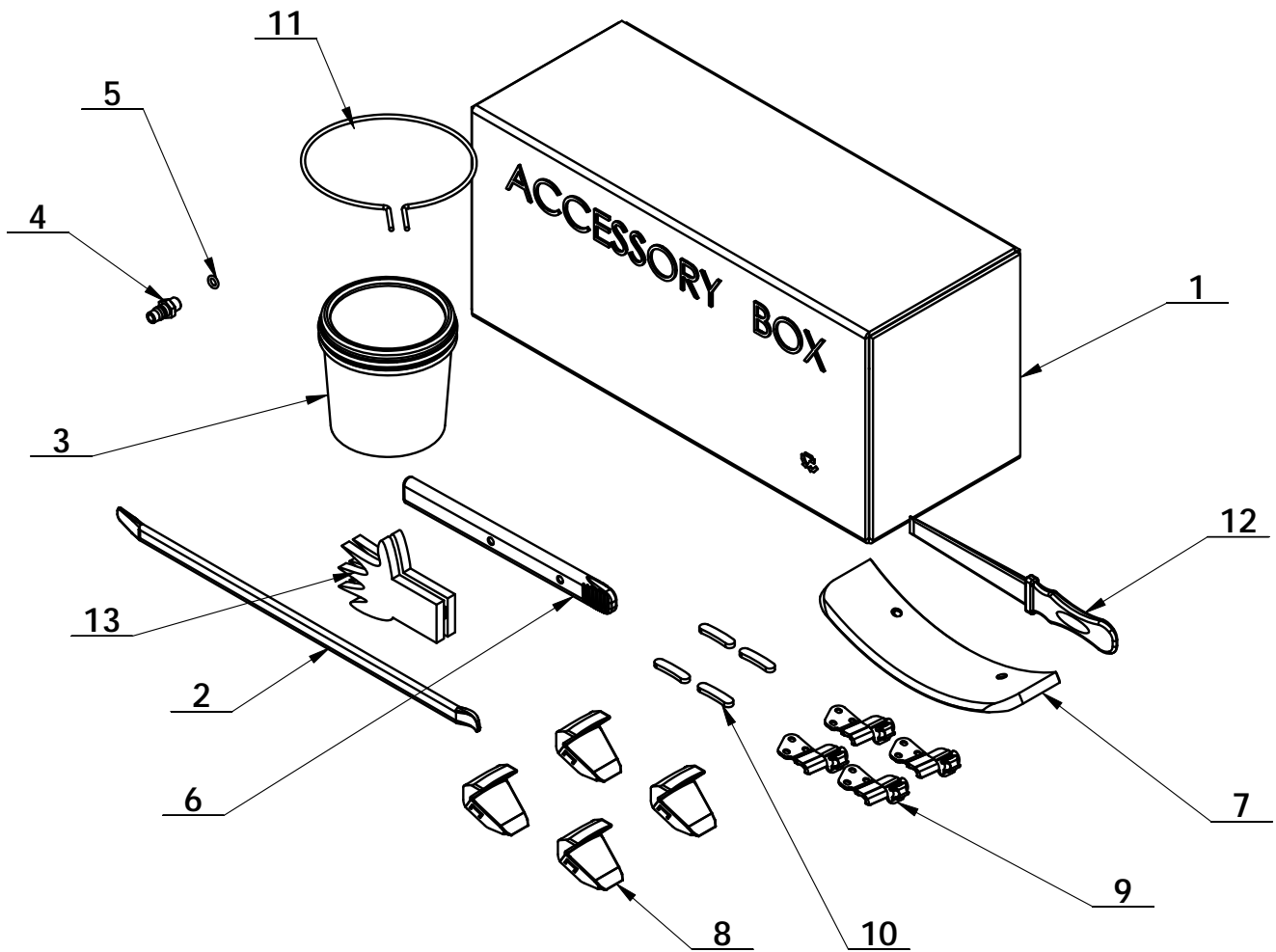


ITEM	PART. No	DESCRIPTION.	QT. Y
1	CT-P-4000001	INFLATING GUN	1
2	CT-LS-1310005	DOUBLE SCREW G1/4	1
3	C-01-1500004	OPEN NUT	1
4	CT-P-1000002	INFLATION HOSE	1



ITEM	PART. No	DESCRIPTION.	QT. Y
1	C-A1-1710001	RELIEF VALVE	1
2	FPC 8-01	MALE STRAIGHT	2

C-8A-8000000



ITEM	PART. No	DESCRIPTION.	QT. Y
1	C-54-8000002	ACCESSORY BOX	1
2	C-54-8000003	20INCH CROWBAR	1
3	C-54-8100000	GREASE CONTAINER	1
4	C-54-8000011	AIR SUPPLY CONNECTOR	1
5	GB3452.1-8×2.65	HYDRAULIC-PNEUMATIC RUBBER O-RING G TYPE	1
6	C-54-8000019	CROWBAR JACKET	1
7	C-90-1000013	COVER	1
8	CT-Y-5000007	CLAMP PROTECTION COVER	4
9	C-8A-1510012	HOOK CUSHION	4
10	C-54-8000007	TOOL HEAD TAIL WASHER	4
11	C-54-8000004	BRACKET	1
12	C-8A-8000001	PLASTIC CROWBAR	1
13	C-54-8000026	GLOVES	1