

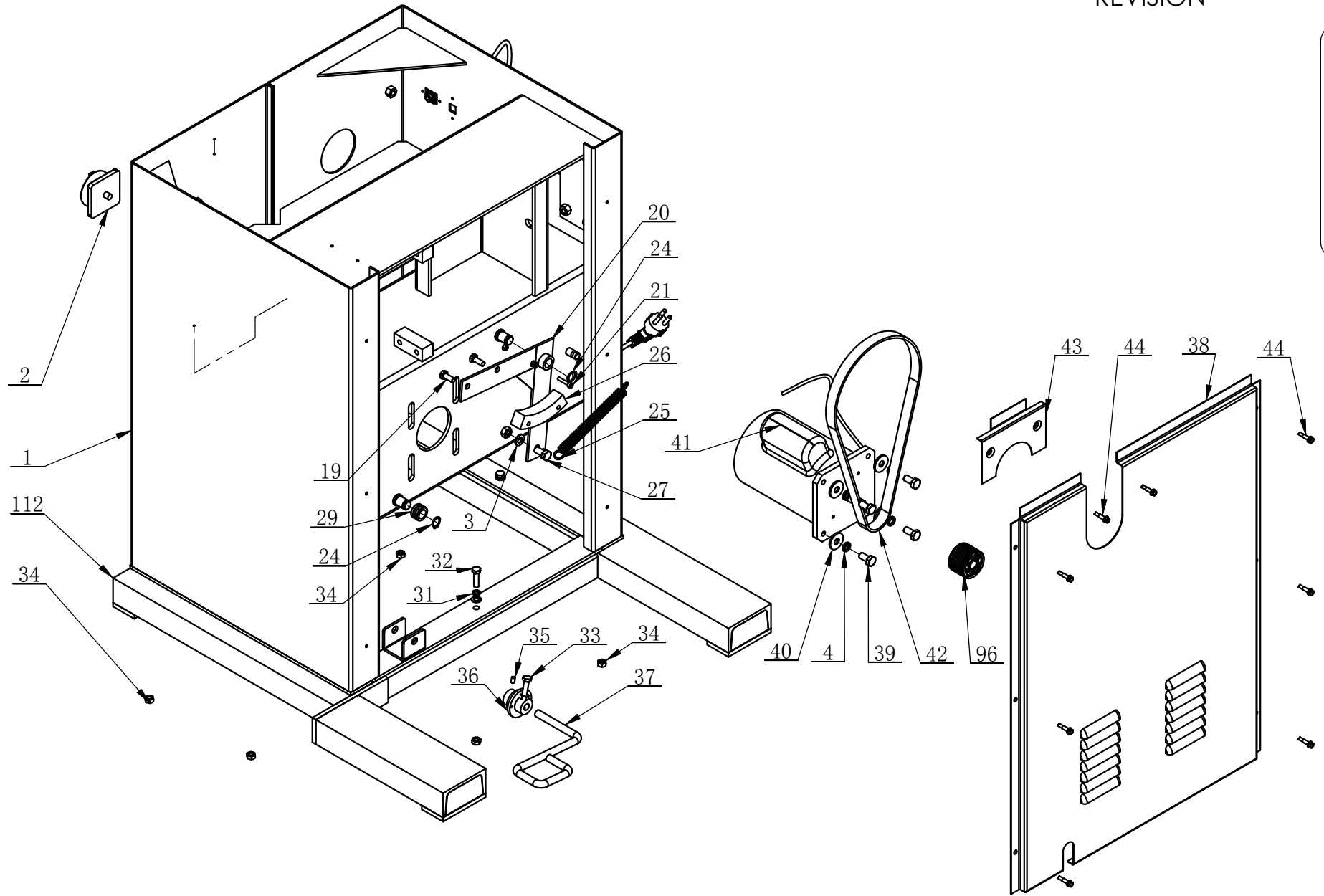
# Exploded Drawing

K \* -

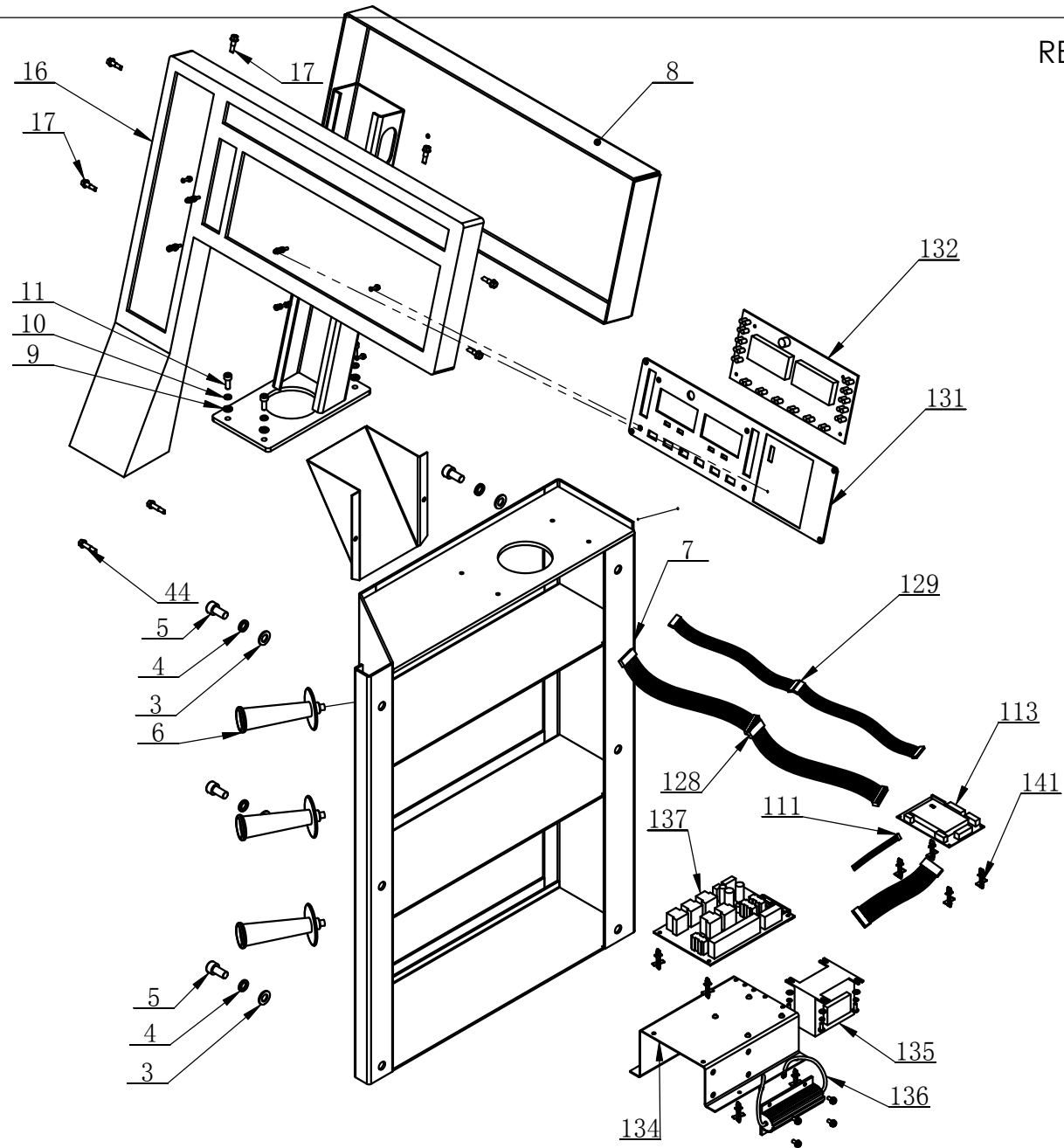
2010.03.30

REVISION

W69.00.00



REVISION

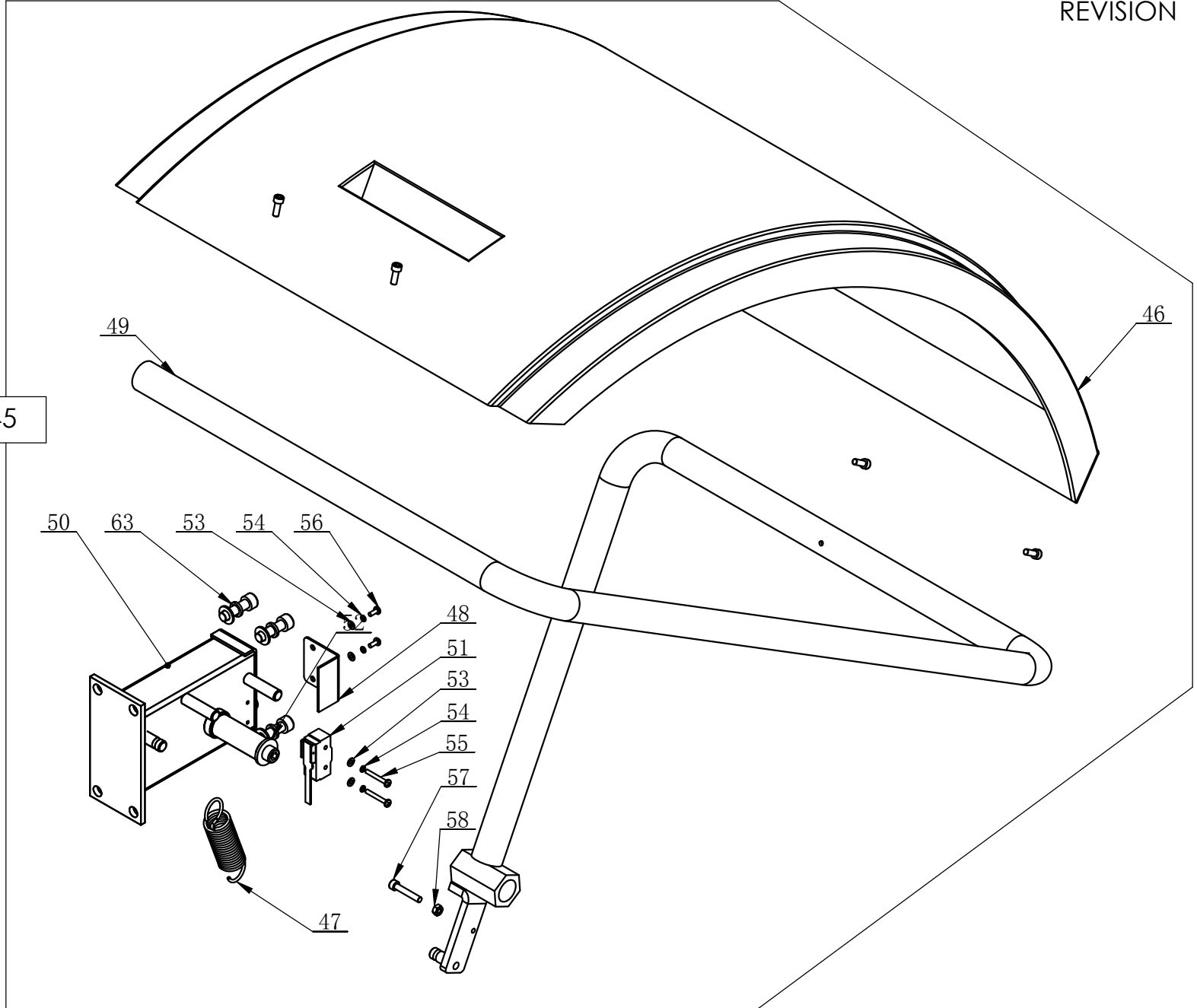


W69.00.00

REVISION

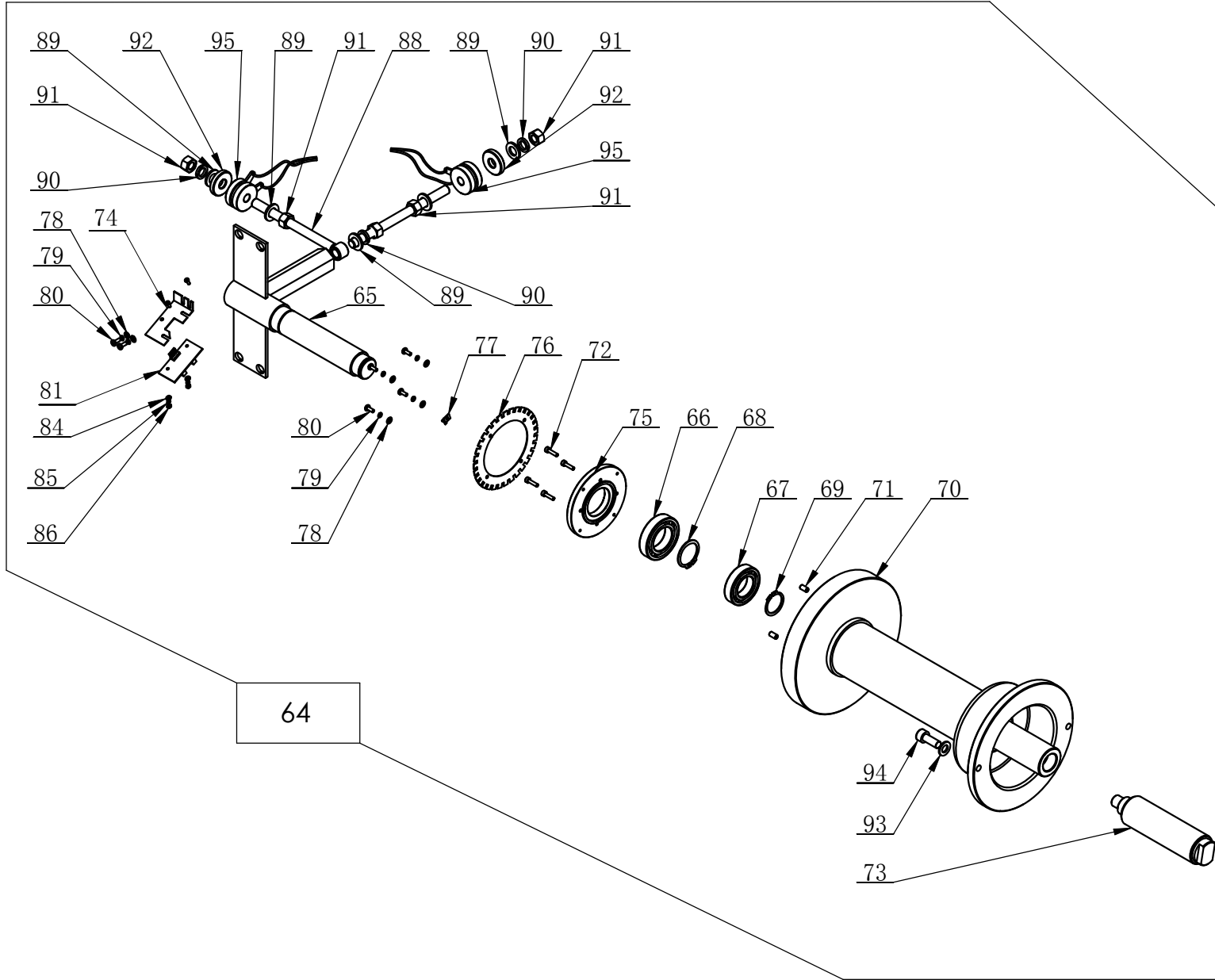
.W69.00.00

45



REVISION

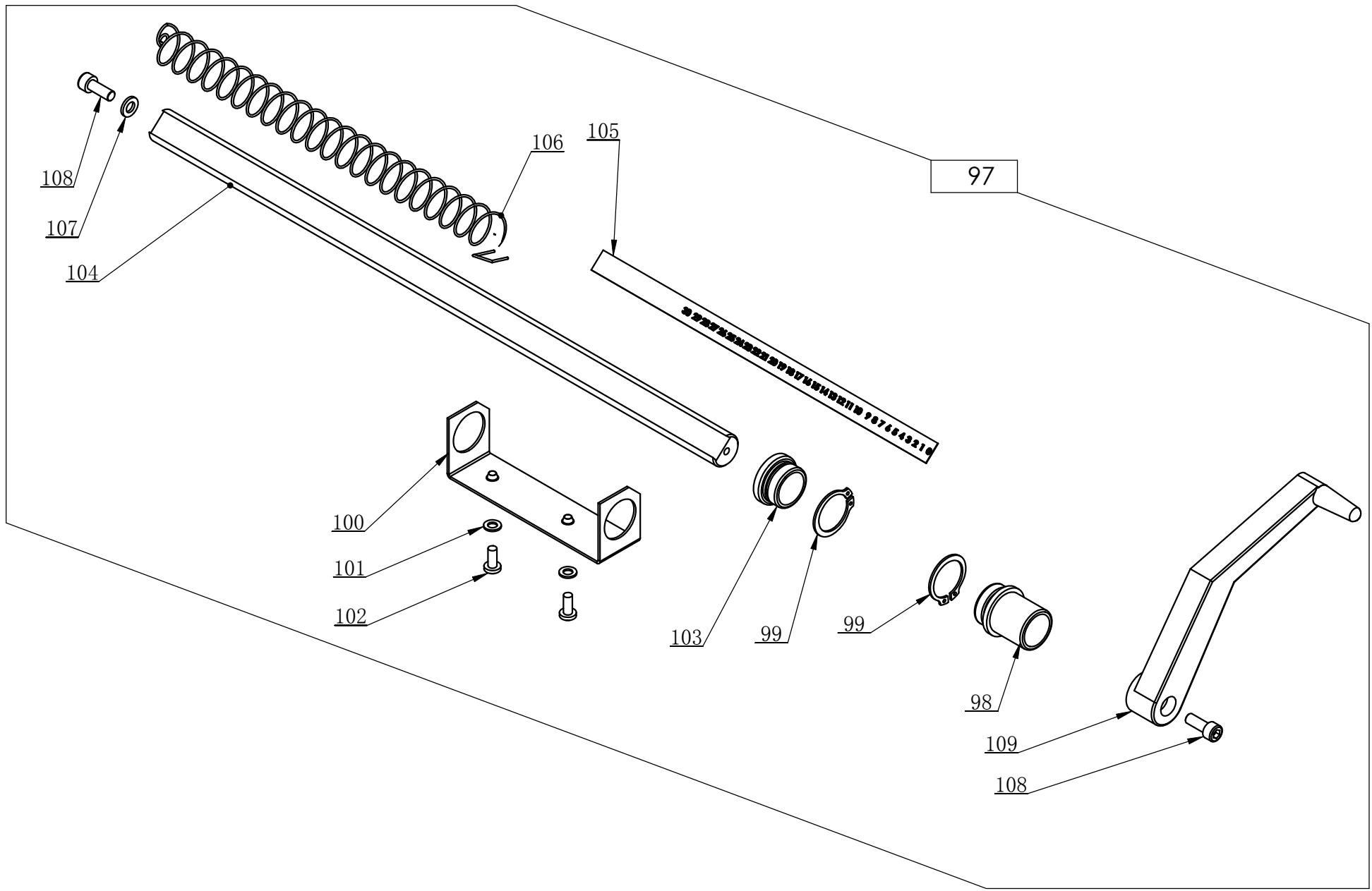
.W69.00.00



REVISION

.W69.00.00

97



108

107

104

106

105

100

101

102

103

99

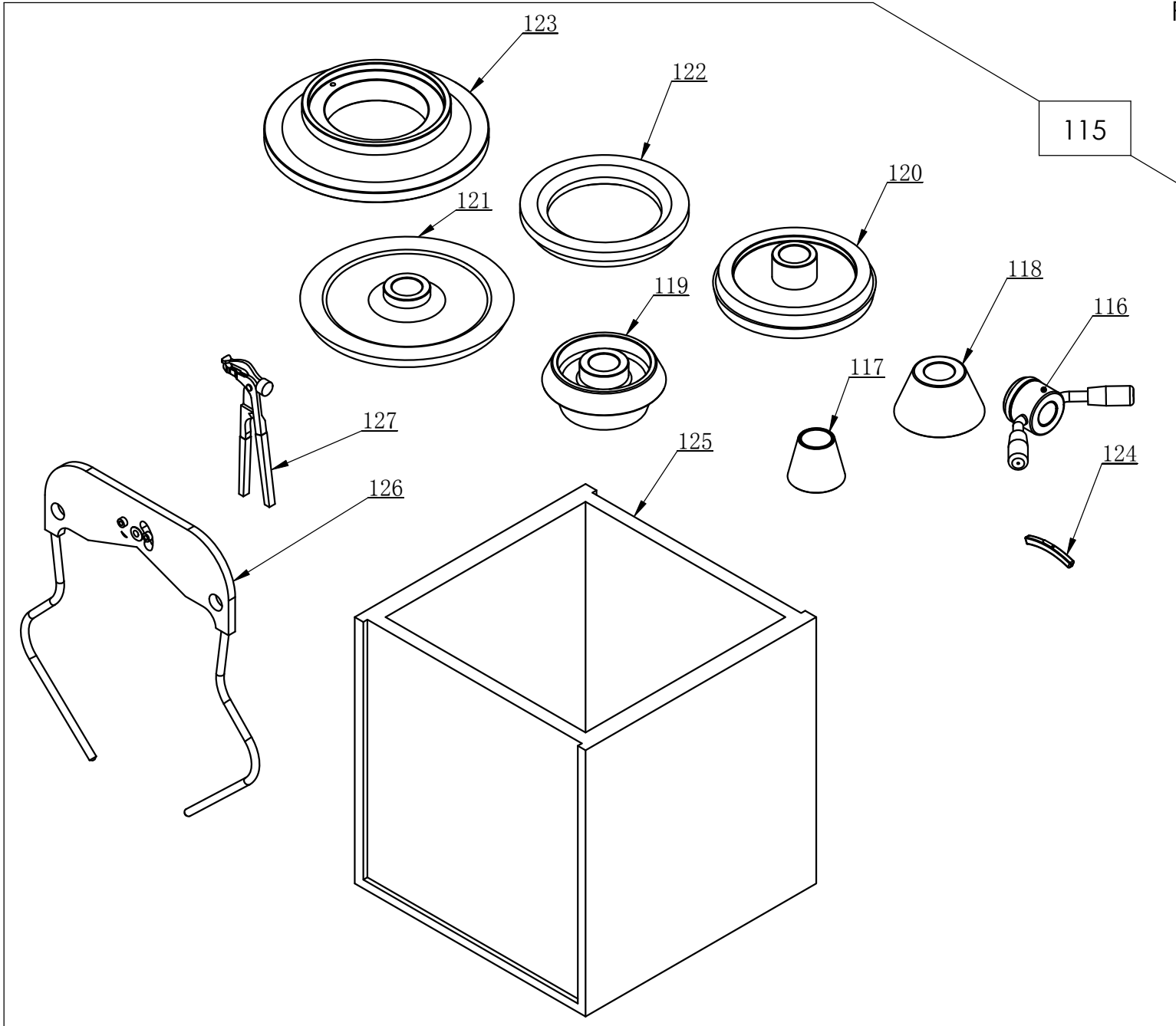
99

98

109

108

REVISION



.W69.00.00

ITEM	PART №	Description.	QTY	ITEM	PART №	Description.	QTY	ITEM	PART №	Description.	QTY
1	6008848	BODY	1	34	5008011	NUT M8	9	67	5008028	BEARING GB276 6006	1
2	5508091	TWIST SWITCH	1	35	5009029	SCREW M6×10	1	68	5010221	RINGS CSB 35	1
3	5004221	WASHER 10	7	36	6008626	ROLLING ROPE WHEEL	1	69	5002023	RINGS CSB 33	1
4	5008119	WASHER 10	10	37	6008625	PEDAL	1	70	6000368	MAIN SHAFT	1
5	5006008	SCREWS M10X20-N	6	38	6008626	SIDE SEALING PANEL	1	71	5010084	SET SCREWS M6X12	2
6	5508006	CONE HANG HANDLE	3	39	5008041	BOLT M10X20	4	72	5010218	SCREW M4X16-N	4
7	6008705	TOOL BRACKET WELDING	1	40	5008001	NON-STANDARD WASHER Φ11	4	73	6000369	THREAD SHAFT	1
8	6008704	CONTROL PLANEL SUPPORT	1	41	5509037	MOTER(220v110)	1	74	6008525	PHOTOELECTRIC CELL PLATE	1
9	5000007	WASHER 6	4	42	5509038	WEDGE BELT(370mm)	1	75	6000371	BEARING PRESS HOUSING	1
10	5010058	WASHER 6	4	43	6008622	RETAINING PLATE	1	76	6008531	PHOTOELECTIC SET	1
11	5009015	SCREW M6X16	4	44	5502034	SCREW ST5. 5X25	10	77	6008524	PHOTOELECTIC TOOTH	1
12	5008026	NUT M3	16	45	6009054	PORTECTIVE HOOD ASSM	1	78	5010040	WASHER 4	6
13	5000079	WASHER 3	12	46	5508048	CRESCENT PROTECTIVE	1	79	5000068	WASHER 4	6
14	5010214	WASHER 3	12	47	5508058	PROTECTIVE HOOD SPRING	1	80	5000010	SCREW M4X10	6
15	5008005	SCREWS M3×16	4	48	6008568	PROTECTIVE PLATE	1	81	5508041	ANGLE SENSOR	1
16	5508208	PC COVER	1	49	6008854	CONNECTING BRACKET	1	82	5000078	SCREWS M3X8	2
17	5008010	SCREW ST5. 5X19	6	50	6009053	PROTECTIVE HOOD SUPPORT	1	83	5008002	SCREWS M4X8	2
18	6008849	BRACKET	1	51	5508009	STROLE SWITCH	1	84	5010214	WASHER 3	2
19	5010077	BOLT M8X20-N	2	52	5008001	NON-STANDARD WASHER Φ	1	85	5000079	WASHER 3	2
20	6008628	PULLING PLATE	1	53	5009044	WASHER 4	4	86	5008026	NUT M3	2
21	5004063	SCREW M5X25-N	1	54	5009045	SPRING WASHER 4	4	87	5009013	FULL BUTTON SCREW	1
22	5010045	WASHER 5	1	55	5008067	SCREW M4X30	2	88	6008822	FLYING RINGS SCREW	1
23	5001008	NUT M5	1	56	5008030	SCREW M4×10	2	89	5010020	WASHER 12	5
24	5008084	RING 16	2	57	5004031	SCREW M6X35	1	90	5010025	SPRING WASHER 12	3
25	5508205	SPRING	1	58	5009145	NUT M6	1	91	5009014	NUT 12	5
26	6008629	CIRCULAR BLOCK	1	59	5010087	SCREW M10X16	1	92	6008821	WASHER	2
27	5010015	BOLT M10X20-N	1	60	5009015	SCREW M6X16	4	93	5004221	WASHER 10	2
28	5008004	NUT M10	1	61	5008072	WASHER 10	4	94	5010064	SCREW M10X25	2
29	6008627	ROPE GUIDING WHEEL	1	62	5008119	WASHER 10	4	95	5508040	BALLANCE SENSOR	2
30	5000018	WASHER 8	8	63	5008071	SCREW M10X35	4	96	6000397	MOTOR PULLEY	1
31	5004046	WASHER 8	8	64	6002115	BALLANCING SHAFT	1	97	6000026	SCALE ASSEMBLY	1
32	5000061	BOLT M8X30	8	65	6000370	AXES	1	98	5508038	HARNESS	1
33	5004016	BOLT M8X40	1	66	5010234	BEARINGS GB276-6007	1	99	5002030	CIRCLIP 25	2



